

CODE	DIM "M" MATING LENGTH	CONTACT TYPE
H	[5.59]	SIGNAL
G	[5.59]	SIGNAL
F	[5.59]	SIGNAL
E	[5.59]	SIGNAL
PA	[N/A]	POWER
HA	[N/A]	HOLD-DOWN
X	OMITTED	OMITTED

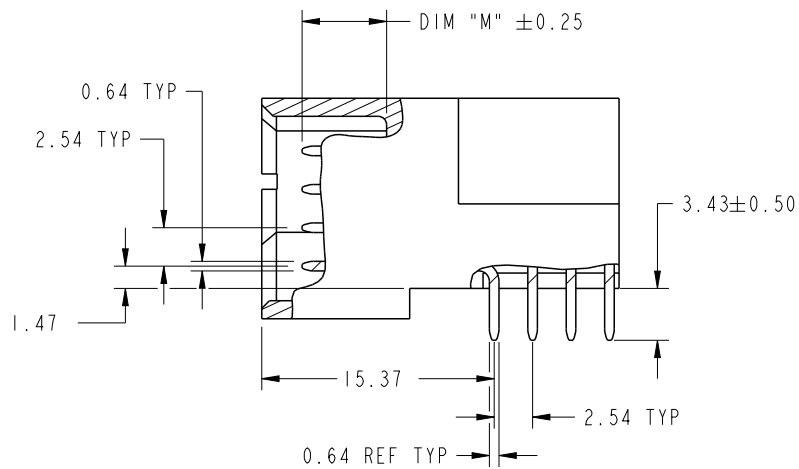
spec ref	See Notes		dr	X Q Wang	2011/06/19	projection 	MM ←→	size	A4	scale	1:1
tolerance std	TOLERANCES UNLESS OTHERWISE SPECIFIED		eng	X Q Wang	2011/07/15			ecn no	-		
See Notes			chr	-	-			rel level	Released		
surface	✓	linear	0.X	±0.5	 title 4P + 24S + 4P RIGHT ANGLE SOLDER HEADER cat. no. -	product family PwrBlade www.fci.com	dwg no	51730-196	rev	A	
			0.XX	±0.25			Product - Customer Drw	sheet 1 of 4			
		angular	0°	±2°							



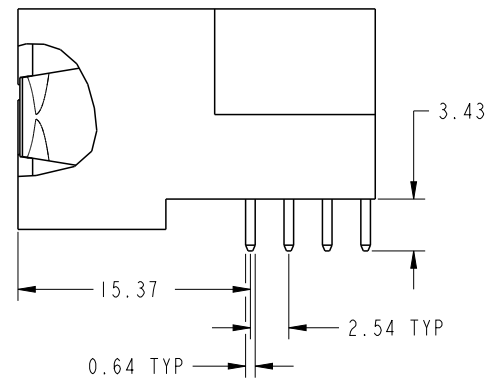
Copyright FCI.

PRODUCT NUMBER

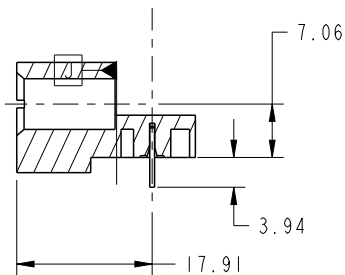
51730-196__
NOTE: 3



BROKEN-OUT SECTION A-A
SCALE 2:1



BROKEN-OUT SECTION B-B
SCALE 2:1



SECTION C-C

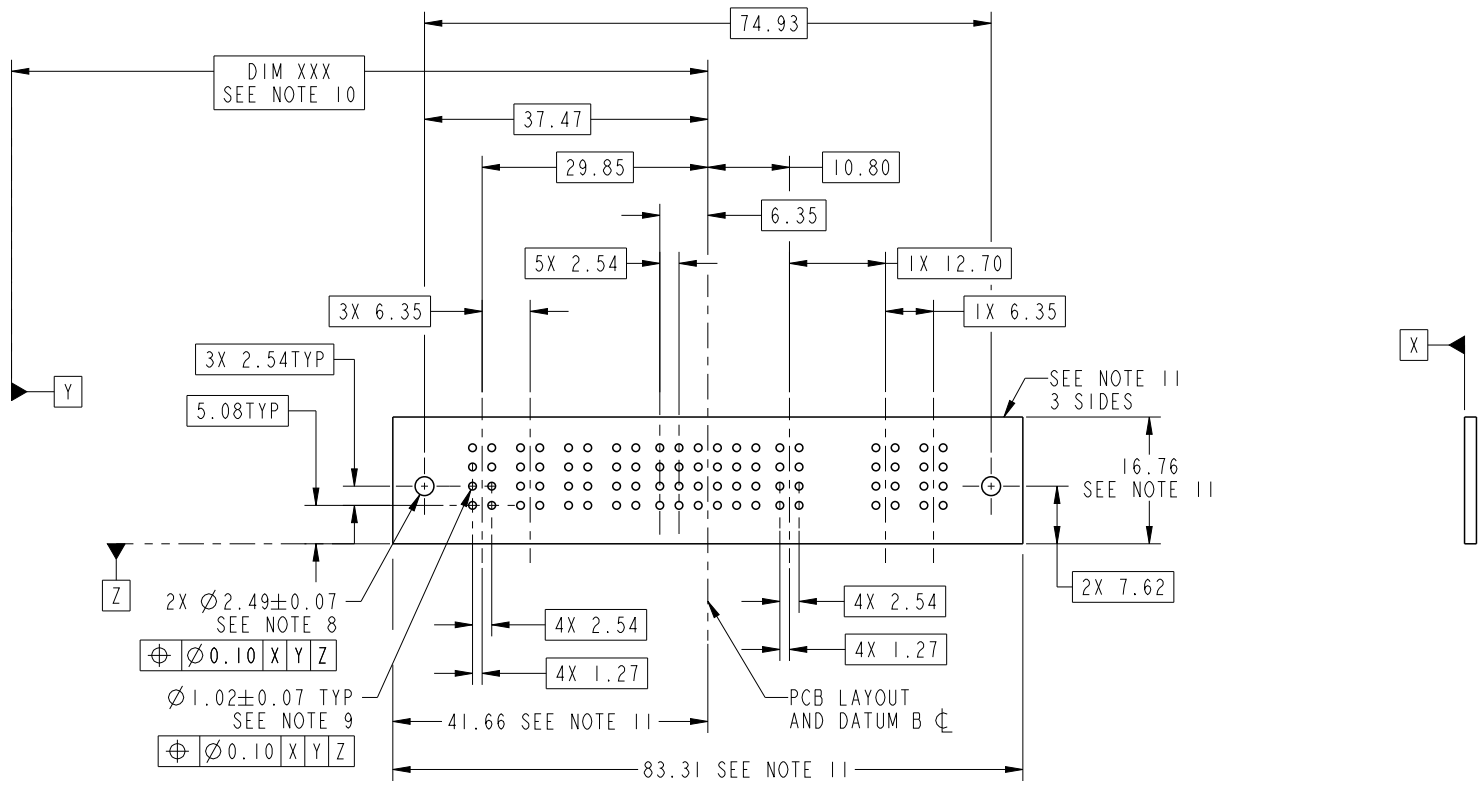
dr	X Q Wang	2011/06/19	projection 	MM 	size	A4	scale	1:1
eng	X Q Wang	2011/07/15			ecn no	-		
chr	-	-			rel level	Released		
appr	Pei-Ming Zheng	2011/07/19	product family	PwrBlade	rev	A		
		title	4P + 24S + 4P		dwg no	51730-196		
www.fci.com		cat. no.	-		Product - Customer Drw	sheet 2 of 4		



Copyright FCI.

PRODUCT NUMBER

51730-196__
NOTE: 3



RECOMMENDED PCB LAYOUT

dr	X Q Wang	2011/06/19	projection 	MM 	size	A4	scale	1:1
eng	X Q Wang	2011/07/15			ecn no	-		
chr	-	-			rel level	Released		
appr	Pei-Ming Zheng	2011/07/19	product family	PwrBlade	rev	A		
		title 4P + 24S + 4P RIGHT ANGLE SOLDER HEADER	dwg no 51730-196	cat. no. -	Product - Customer Drw	sheet 3 of 4		



Copyright FCI.

PRODUCT NUMBER

51730-196__
NOTE: 3

NOTES:

1. DIMENSIONS AND TOLERANCES ARE IN ACCORDANCE WITH ASME Y14.5M, 1994 UNLESS OTHERWISE SPECIFIED.

CONNECTOR NOTES:

- 2. HOUSING MATERIAL: UL 94 V-0 GLASS FILLED HIGH-TEMP THERMOPLASTIC
POWER CONTACT MATERIAL: COPPER ALLOY
SIGNAL PIN MATERIAL: COPPER ALLOY
- 3. SEE ITEM 1 & 2 IN PRINT 10064183 FOR PLATING SPEC OF 51730-196 AND 51730-196LF RESPECTIVELY.
- 4. MANUFACTURER'S NAME, DATE CODE AND OPTIONAL P/N TO APPEAR ON THIS SURFACE. THE P/N CAN BE OMITTED IF THERE IS NOT ENOUGH SPACE ON THIS SURFACE.
- 5. PRODUCT SPECIFICATION GS-12-149.
APPLICATION SPECIFICATION BUS-20-067.
- 6. PACKAGED IN TRAYS.

PCB NOTES:

- 7. ALL HOLE DIAMETERS ARE FINISHED HOLE SIZE.
- 8. MOUNTING HOLES, WHERE APPLICABLE, ARE UNPLATED.
- 9. $\varnothing 1.151 \pm 0.025$ DRILLED HOLES PLATED WITH
0.008 MIN SnPb OR Sn OVER 0.03
TO 0.08 Cu PLATING TO ACHIEVE
 $\varnothing 1.02 \pm 0.07$ HOLE.
- 10. "DIM XXX" TO BE DETERMINED BY THE CUSTOMER.
- 11. CONNECTOR KEEP-OUT ZONE.

dr	X Q Wang	2011/06/19	projection 	MM 	size	A4	scale	1:1
eng	X Q Wang	2011/07/15			ecn no	-		
chr	-	-			product family	PwrBlade	rel level	Released
appr	Pei-Ming Zheng	2011/07/19			title 4P + 24S + 4P RIGHT ANGLE SOLDER HEADER	dwg no 51730-196	rev A	
www.fci.com		cat. no.	-	Product - Customer Drw		sheet 4 of 4		



Copyright FCI.