

THIS DRAWING IS UNPUBLISHED. RELEASED FOR PUBLICATION
 © COPYRIGHT BY TYCO ELECTRONICS CORPORATION. ALL RIGHTS RESERVED.

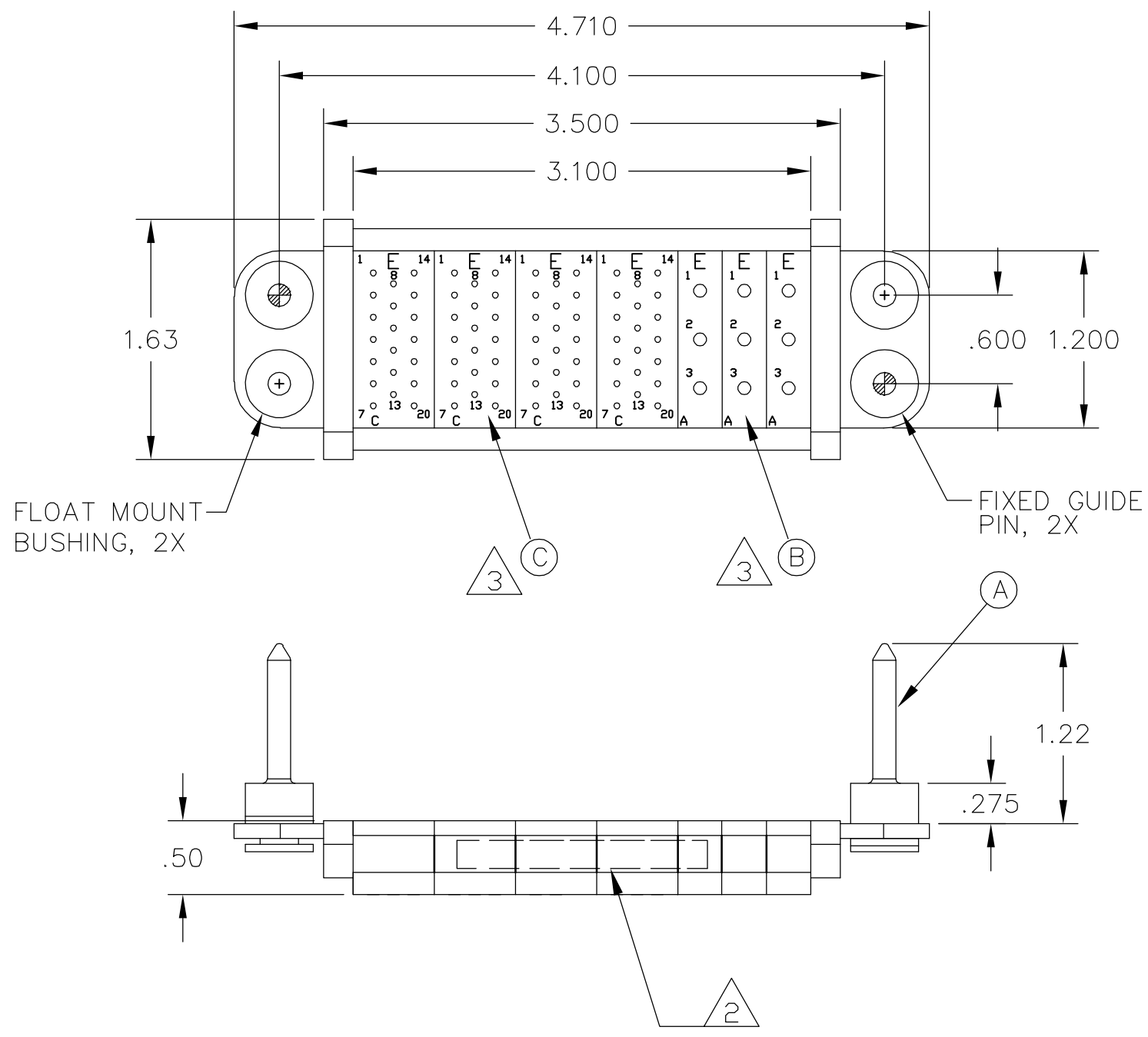
| | | | | | | | |
|-----|------|-----------|-----|-------------|--------|-----|------|
| LOC | DIST | REVISIONS | | | | | |
| GP | 00 | P | LTR | DESCRIPTION | DATE | DWN | APVD |
| | | | A | NEW RELEASE | 9MAR07 | RG | DO |

1. PART NUMBER CHANGES AND/OR DESIGN CHANGES AFFECTING ITEM INTERCHANGEABILITY REQUIRE PRIOR TYCO APPROVAL AND AUTHORIZATION BY REVISION TO THIS DRAWING.

2. ITEMS PROVIDED TO THIS SPECIFICATION TO BE PERMANENTLY IDENTIFIED PER THE FOLLOWING IDENTIFIER:

YEAR WEEK
 TYCO PART NUMBER DATE CODE (e.g. 0212)
 XXXXXXXX-X XXXX

3. MODULES NOTED ARE CRIMP REMOVABLE STYLE. THIS ASSEMBLY DOES NOT INCLUDE PIN CONTACTS. PROPER CONTACT ORDERING AND SELECTION SHALL BE THE RESPONSIBILITY OF THE CUSTOMER.

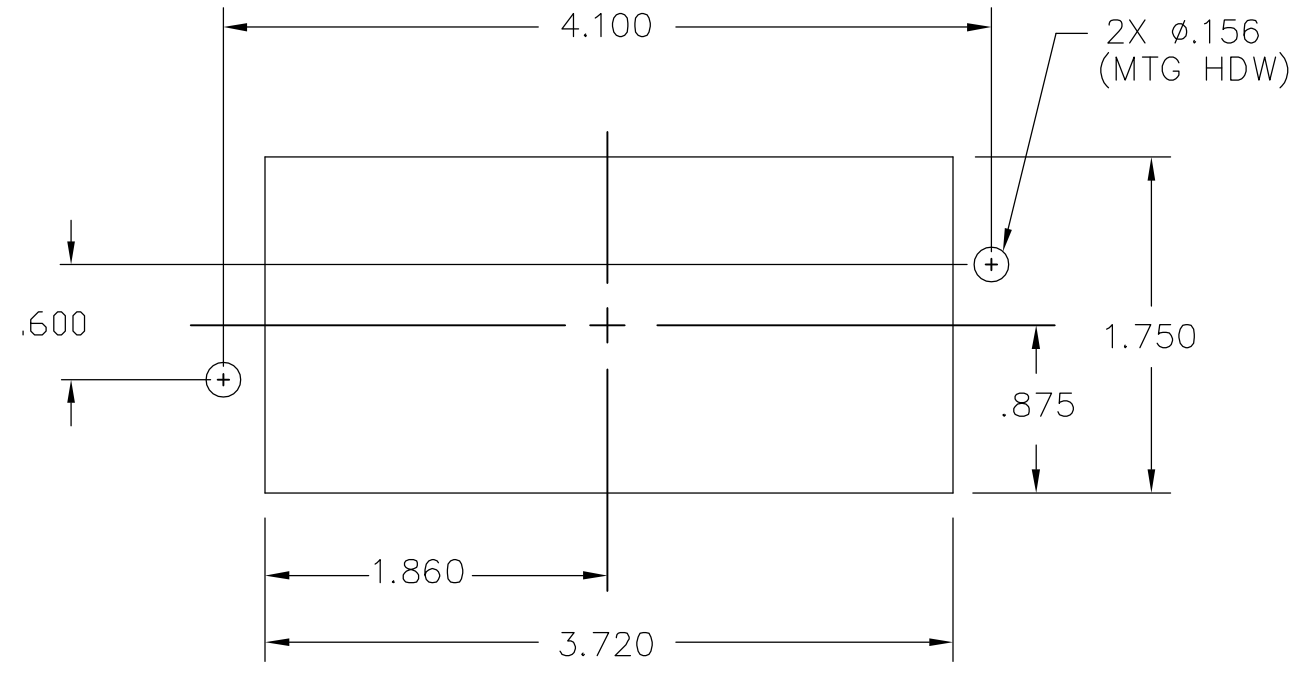


| | | | |
|----|-------------|---------------------------|------|
| 4 | 1648463-1 | MODULE C | C |
| 3 | 1648461-1 | MODULE A | B |
| 2 | 6648251-1 | END CAP, GUIDE PIN, FLOAT | A |
| -1 | PART NUMBER | DESCRIPTION | ITEM |

| | | | | |
|--|--|----------------------------------|---|--------------|
| THIS DRAWING IS A CONTROLLED DOCUMENT. | | DWN R.GRZYBOWSKI 09MAR2007 | Tyco Electronics Corporation Harrisburg, PA 17105-3608 | |
| DIMENSIONS: INCHES | | CHK D.ORRIS 9MAR07 | NAME S.FLICKINGER 9MAR07 | |
| TOLERANCES UNLESS OTHERWISE SPECIFIED: | | PRODUCT SPEC | | |
| 0 PLC ± - | | APPLICATION SPEC | | |
| 1 PLC ± - | | SIZE | | |
| 2 PLC ± .02 | | CAGE CODE | | |
| 3 PLC ± .010 | | DRAWING NO | | |
| 4 PLC ± - | | RESTRICTED TO | | |
| ANGLES ± 5 | | A3 00779 C-6646115 | | |
| MATERIAL | | WEIGHT | | |
| FINISH | | CUSTOMER DRAWING | | |
| | | SCALE 1:1 | | SHEET 1 OF 2 |
| | | | | REV A |

THIS DRAWING IS UNPUBLISHED. RELEASED FOR PUBLICATION
 © COPYRIGHT BY TYCO ELECTRONICS CORPORATION. ALL RIGHTS RESERVED.

| | | | | | | | |
|-----|------|-----------|-----|-------------|------|-----|------|
| LOC | DIST | REVISIONS | | | | | |
| GP | 00 | P | LTR | DESCRIPTION | DATE | DWN | APVD |
| | | - | | SEE SHEET 1 | - | - | - |



PIN PANEL MOUNT CUTOUT
 SCALE: NONE

| | | | | | | | |
|--|--|------------------|--------------|---------------|---|------------|-----------|
| THIS DRAWING IS A CONTROLLED DOCUMENT. | | DWN | R.GRZYBOWSKI | 09MAR2007 | Tyco Electronics Corporation Harrisburg, PA 17105-3608 | | |
| DIMENSIONS: INCHES | | CHK | D.ORRIS | 9MAR07 | NAME | | |
| | | APVD | S.FLICKINGER | 9MAR07 | PIN CONNECTOR DOMINO W/ PANEL CUT-OUT | | |
| TOLERANCES UNLESS OTHERWISE SPECIFIED: | | PRODUCT SPEC | - | | | | |
| 0 PLC ± - | | APPLICATION SPEC | - | | | | |
| 1 PLC ± - | | WEIGHT | - | | | | |
| 2 PLC ± .02 | | SIZE | A3 | CAGE CODE | 00779 | DRAWING NO | C-6646115 |
| 3 PLC ± .010 | | CUSTOMER DRAWING | | SCALE | 1:1 | SHEET | 2 OF 2 |
| 4 PLC ± - | | - | | RESTRICTED TO | - | | |
| ANGLES ± 5 | | - | | REV | A | | |
| MATERIAL | | - | | | | | |
| FINISH | | - | | | | | |