

B26 3 000 N 2 **

SERIES
B26= FORM A
POLES
2= 2 POLE & 3= 3 POLE
CURVED BASE DIAMETER
000= FLAT
MATERIAL AND HOUSING COLOUR
N= PA6 BLACK, W= PA6 BLACK V0, G= PA6 GRAY

SCREW AND GASKET
2 = NBR FLAT GASKET & SCREWS
4 = SILICON FLAT GASKET & SCREWS
G = NO GASKET, WITH SCREWS
9 = NO FIXING SCREW AND GASKET WITH SPECIAL TERMINAL

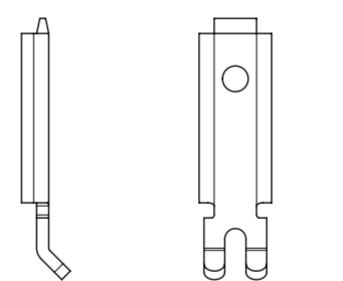
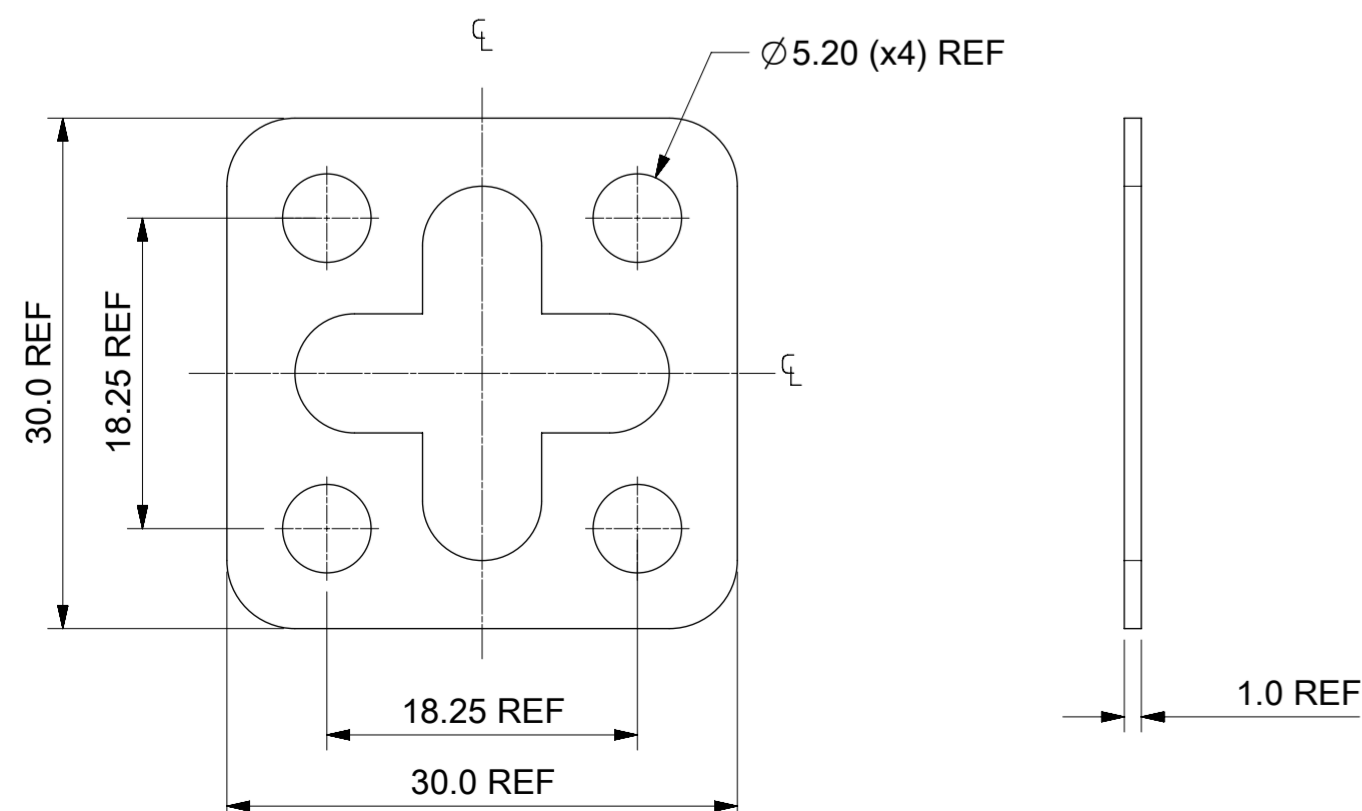
ADDITIONAL CODES
SA= UL AGENCY APPROVAL

PART NO	MPM NO	DESCRIPTION	TERMINAL BEND ANGLE
1210120071	B262000N2	TYPE A 2P BLACK, NBR FLAT GASKET & SCREWS	30
1210120073	B262000N4	TYPE A 2P BLACK, SILICON FLAT GASKET & SCREWS	30
1210120076	B263000N2	TYPE A 3P BLACK, NBR FLAT GASKET & SCREWS	45
1210120078	B263000N4	TYPE A 3P BLACK, SILICON FLAT GASKET & SCREWS	45
1210120080	B263000W2	TYPE A 3P BLACK V0, NBR FLAT GASKET & SCREWS	45
1210120150	B262000W2	TYPE A 2P BLACK V0, NBR FLAT GASKET & SCREWS	30
1210120151	B263000G2	TYPE A 3P GRAY, NBR FLAT GASKET & SCREWS	45
1210120163	B262000NG	TYPE A 2P BLACK, SCREWS, NO GASKET	30
1210120174	B262000W2SA	TYPE A 2P BLACK UL 94-V0, NBR FLAT GASKET & SCREWS	30
1210120175	B263000W2SA	TYPE A 3P BLACK UL 94-V0, NBR FLAT GASKET & SCREWS	45
1210120197	B263000W9SA	TYPE A 3P BLACK UL94-V0, NO GASKET, NO FIXING SCREW, SPECIAL TERMINAL	45

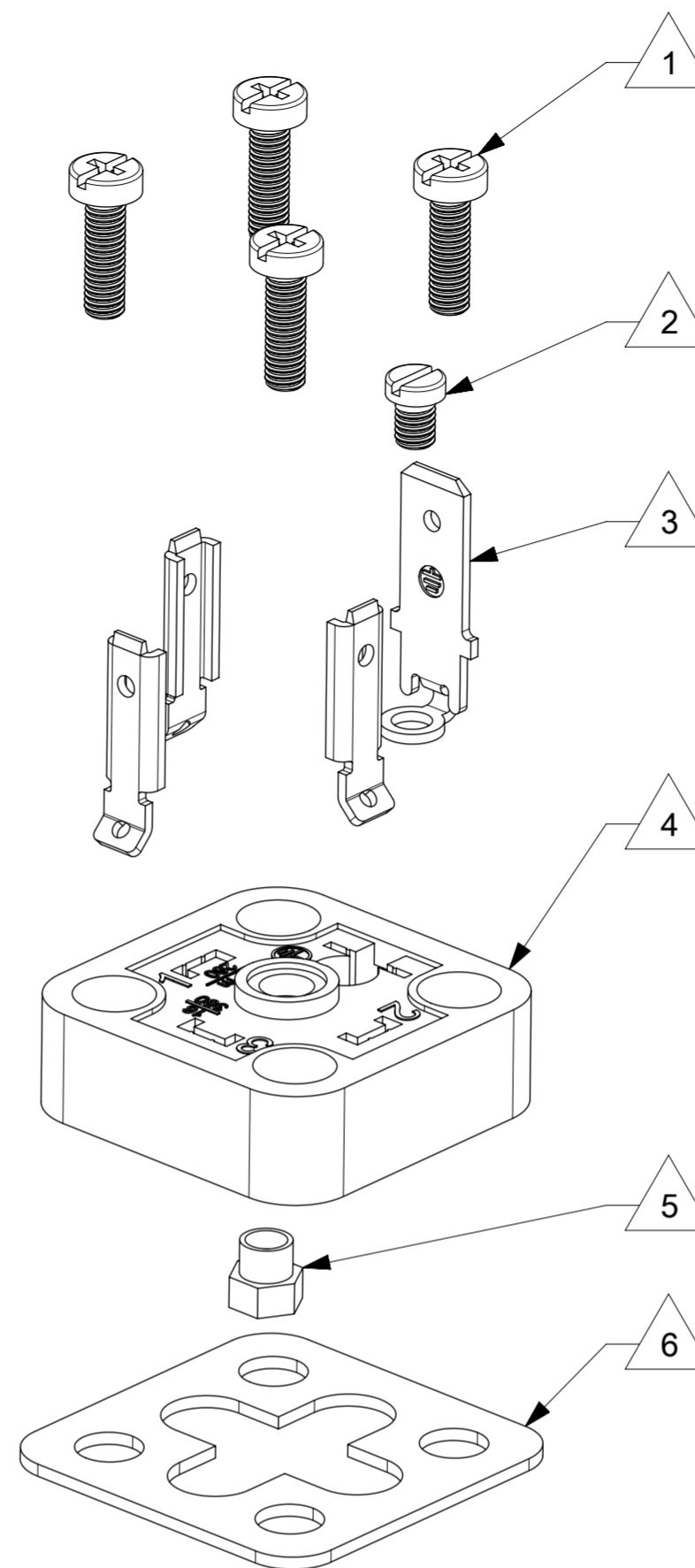
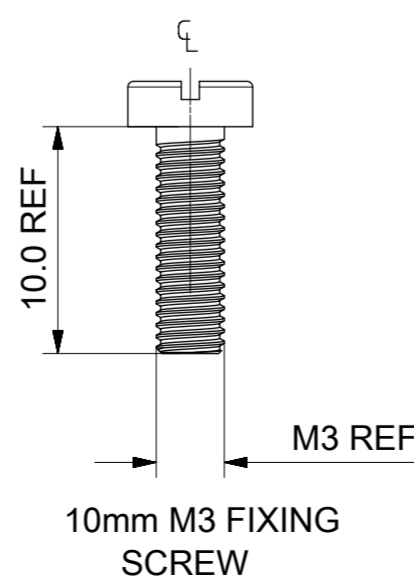
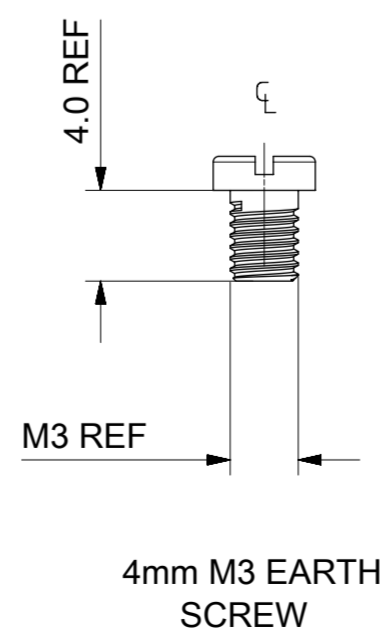
NOTES

- PLEASE SEE TABLE FOR CURRENTLY CONFIGURED PART NUMBERS. FOR SPECIFIC PART NUMBERS PLEASE CONTACT SALES OR CONSULT THE INTELLIGENT PART NUMBERS IN THE TABLE ATTACHED.
- FOR PACKAGING SEE PACKAGING SPEC PK-121012-B26
- PRODUCT SPEC: SEE PS-121201-001
- TERMINALS BENT AFTER INSERTION, SEE TABLE FOR BEND ANGLE

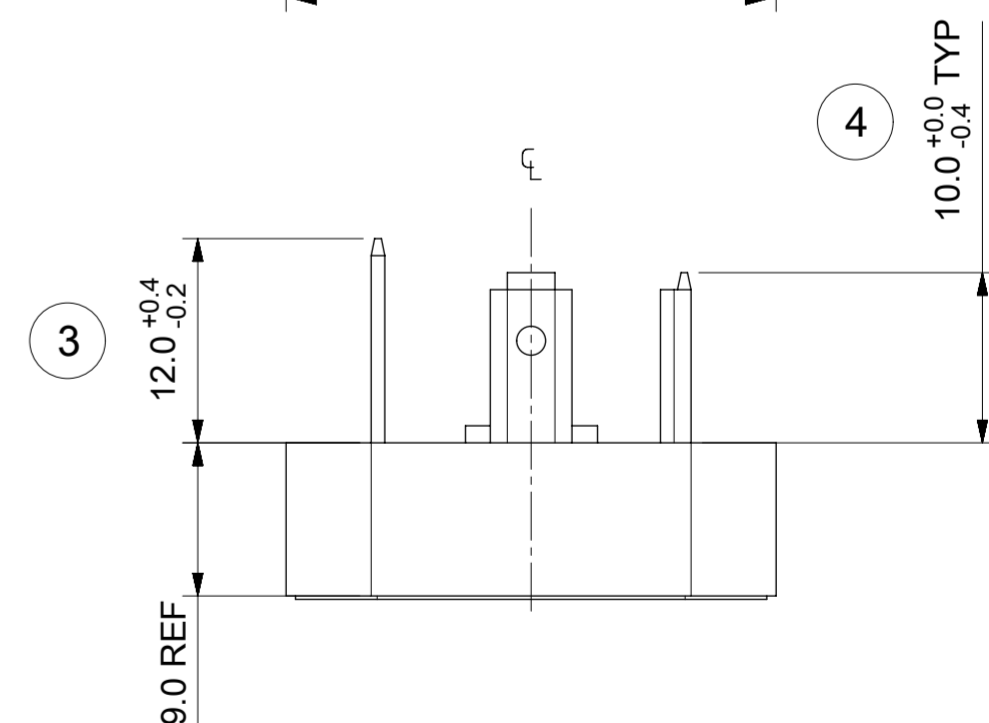
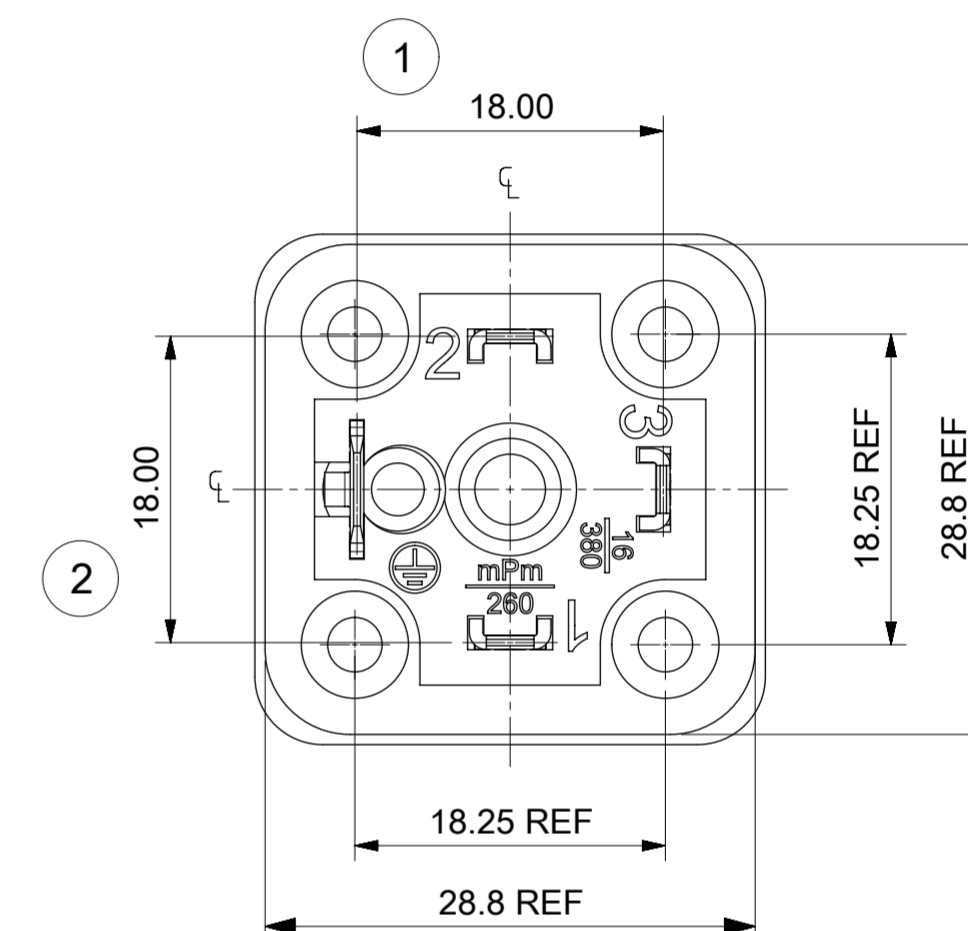
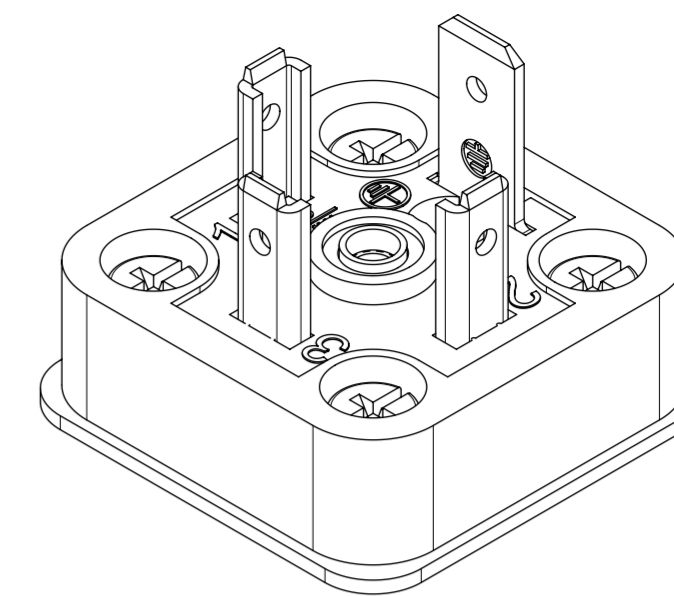
LAST INSPECTION NUMBER 4



SPECIAL TERMINAL
1211200021



ITEM	DESCRIPTION
1	FIXING SCREW
2	EARTH SCREWS
3	TERMINALS
4	HOUSING
5	INSERT
6	GASKET



QUALITY SYMBOLS	THIS DRAWING CONTAINS INFORMATION THAT IS PROPRIETARY TO MOLEX ELECTRONIC TECHNOLOGIES, LLC AND SHOULD NOT BE USED WITHOUT WRITTEN PERMISSION		GENERAL TOLERANCES (UNLESS SPECIFIED)		DIMENSION UNITS	SCALE										
▽ = 0	▽ = 0	▽ = 0	▽ = 0	▽ = 0	MM					B26 SERIES BASE						
▽ = 0	ADD OPTION	EC NO: 108524	DRWN: TCLEARY	CHKD: BCAFFREY	APPR: DMAHER	2016/09/14	2016/12/20	2016/12/20	PRODUCT CUSTOMER DRAWING							
▽ = 0						4 PLACES ±	3 PLACES ±	2 PLACES ± 0.1	1 PLACE ± 0.2	0 PLACES ±	DRAFT WHERE APPLICABLE MUST REMAIN WITHIN DIMENSIONS	A2	THIRD ANGLE PROJECTION	SERIES: 121012, MATERIAL NUMBER: SEE TABLE, CUSTOMER: GENERAL MARKET		
▽ = 0														DOCUMENT NUMBER: SD-121012-002, DOC TYPE: PSD, DOC PART: 000, SHEET NUMBER: 1 OF 1		