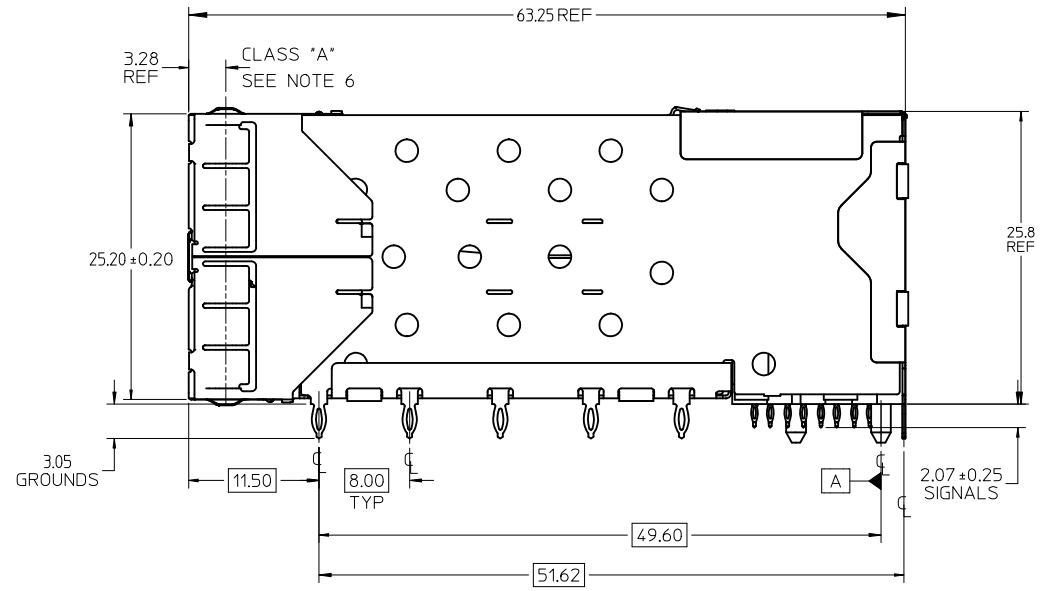


PART NUMBER	PART TYPE (SEE VIEWS ON SHEET 2)	COMPLIANT TAIL PLATING
760487001	4 LIGHT PORTS	TIN
760487002	INNER 2 PORTS	TIN
	OUTER 2 PORTS	TIN

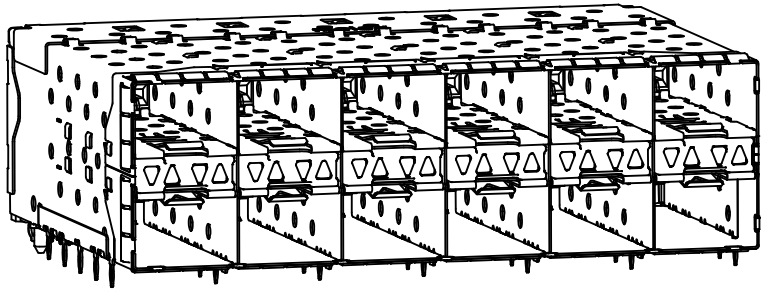
ENHANCED EMI VERSION

NOTES

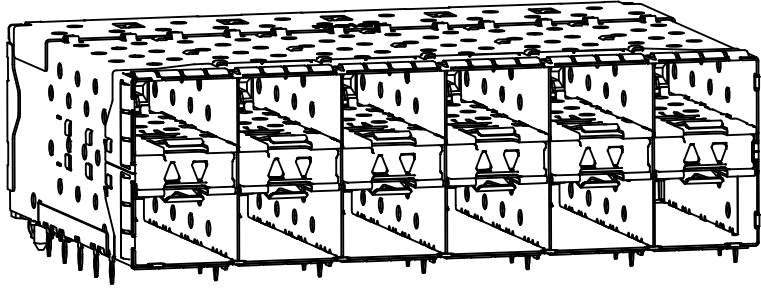
- MATERIAL:**  
 CAGE: NICKEL SILVER, THICKNESS: 0.25mm  
 CONNECTOR HOUSING: GLASS FILLED LIQUID CRYSTAL POLYMER (LCP), UL 94V-0, COLOR: BLACK  
 OVERMOLD TERMINAL HOUSING: GLASS FILLED LIQUID CRYSTAL POLYMER (LCP), UL 94V-0, COLOR: BLACK  
 TERMINALS: TIN BRASS  
 EMI GASKET: PHOS-BRONZE  
 LIGHTPIPE HOUSING: ZINC  
 LIGHTPIPES: POLYCARBONATE, COLOR: CLEAR
- FINISHES:**  
 TERMINALS: CONTACT AREA: 0.76 MICROMETERS MINIMUM HARD GOLD OVER 1.27 MICROMETERS MINIMUM NICKEL.  
 COMPLIANT TAIL - TIN/LEAD OPTION: 0.76 TO 1.52 MICROMETERS 90/10 TIN-LEAD OVER 0.76 MICROMETERS MINIMUM NICKEL.  
 COMPLIANT TAIL - TIN OPTION: 0.76 TO 1.52 MICROMETERS TIN OVER 0.76 MICROMETERS MINIMUM NICKEL.  
 LIGHT PIPE HOUSING: 80 MICROMETERS MINIMUM NICKEL OVER COPPER  
 EMI GASKET: 2.54 MICROMETERS MINIMUM NICKEL OVERALL
- REFER TO PS-75310-001 PRODUCT SPEC FOR ALL ELECTRICAL, MECHANICAL, AND ENVIRONMENTAL SPECIFICATIONS.
- LIGHTPIPE PAD LAYOUT IS FOR 0805 LOW-PROFILE LED PACKAGE, FOR OTHER RECOMMENDED LAYOUTS REFER TO MOLEX'S REPORT TS-75310-001.
- REFER TO PK-75451-001 FOR ALL PACKAGING SPECIFICATIONS.
- THE SURFACES CONFORM TO THE MOLEX COSMETIC SPEC PS-45499-002. ALL EXTERIOR SURFACES TO BE CLASS "B" SURFACE EXCEPT THE UNDERSIDE (CLASS "C") OF THE CAGE (SIDE TOWARD THE PCB) AND AS OTHERWISE NOTED.
- THE OVERALL CAGE WIDTH AT THE VERTICAL CENTER OF THE FRONT EDGE WILL FALL WITHIN THIS DIMENSION: 86.30 ± 0.30 MM. THIS PORTION OF THE CAGE WILL FLEX INWARD AS THE CAGE IS BEING INSERTED INTO THE BEZEL OPENING.
- REFER TO AS-76090-001 FOR HIGH SPEED ROUTING RECOMMENDATIONS.
- DATE CODE LOCATION IS SHOWN ABOVE.  
 DATE CODE FORMAT: DDDY MX A1  
 DDD = DAY OF THE YEAR  
 Y = YEAR  
 MX = MOLEX  
 A = ALPHA CHARACTER - INDICATES MANUFACTURING LINE  
 1 = NUMERIC CHARACTER - INDICATES PRODUCTION SHIFT



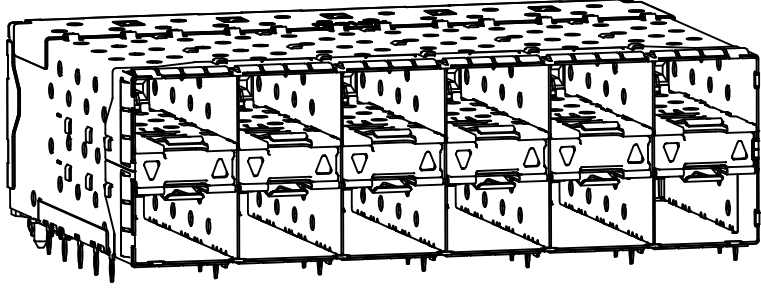
<b>ADD -7002 ASSEMBLY</b> EC NO: UCP2012-2301 DRW: BBARKER 2012/01/24 CHKD: MILLER APPR: SMILLER 2012/02/01	QUALITY SYMBOLS 	GENERAL TOLERANCES (UNLESS SPECIFIED) <table border="1"> <thead> <tr> <th></th> <th>mm</th> <th>INCH</th> </tr> </thead> <tbody> <tr> <td>4 PLACES</td> <td>± 0.13</td> <td>± 0.005</td> </tr> <tr> <td>3 PLACES</td> <td>± 0.25</td> <td>± 0.010</td> </tr> <tr> <td>2 PLACES</td> <td>± 0.38</td> <td>± 0.015</td> </tr> <tr> <td>1 PLACE</td> <td>± 0.51</td> <td>± 0.020</td> </tr> </tbody> </table>		mm	INCH	4 PLACES	± 0.13	± 0.005	3 PLACES	± 0.25	± 0.010	2 PLACES	± 0.38	± 0.015	1 PLACE	± 0.51	± 0.020	DIMENSION STYLE <b>MM ONLY</b>	SCALE <b>3:1</b>	DESIGN UNITS <b>METRIC</b>	THIRD ANGLE PROJECTION
		mm	INCH																		
	4 PLACES	± 0.13	± 0.005																		
	3 PLACES	± 0.25	± 0.010																		
2 PLACES	± 0.38	± 0.015																			
1 PLACE	± 0.51	± 0.020																			
DRAFT WHERE APPLICABLE MUST REMAIN WITHIN DIMENSIONS	DRAWN BY BBARKER DATE 2011/09/21	CHECKED BY DATE	TITLE <b>STACKED SFP+ 2X6 ASSY W/ METAL EMI GASKET AND LIGHTPIPES, ENHANCED EMI</b>	MOLEX INCORPORATED	DOCUMENT NO. <b>SD-76048-0002</b>	SHEET NO. <b>1 OF 5</b>															
APPROVED BY SMILLER DATE 2011/10/10	MATERIAL NO. <b>SEE TABLE</b>	SIZE <b>C</b>	THIS DRAWING CONTAINS INFORMATION THAT IS PROPRIETARY TO MOLEX INCORPORATED AND SHOULD NOT BE USED WITHOUT WRITTEN PERMISSION																		



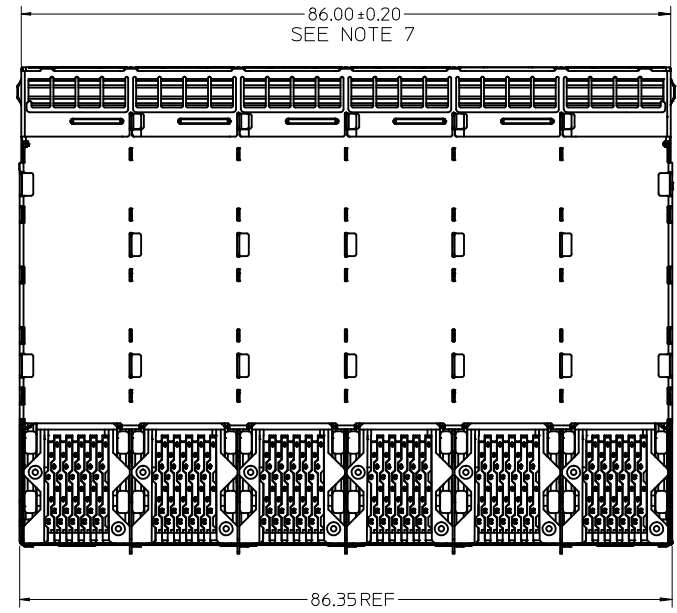
76048-7001  
WITH INNER AND OUTER LIGHTPIPES



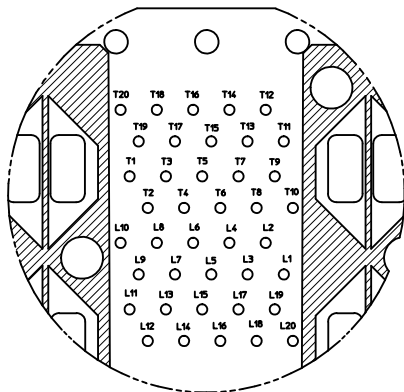
76048-7002  
WITH INNER LIGHTPIPES



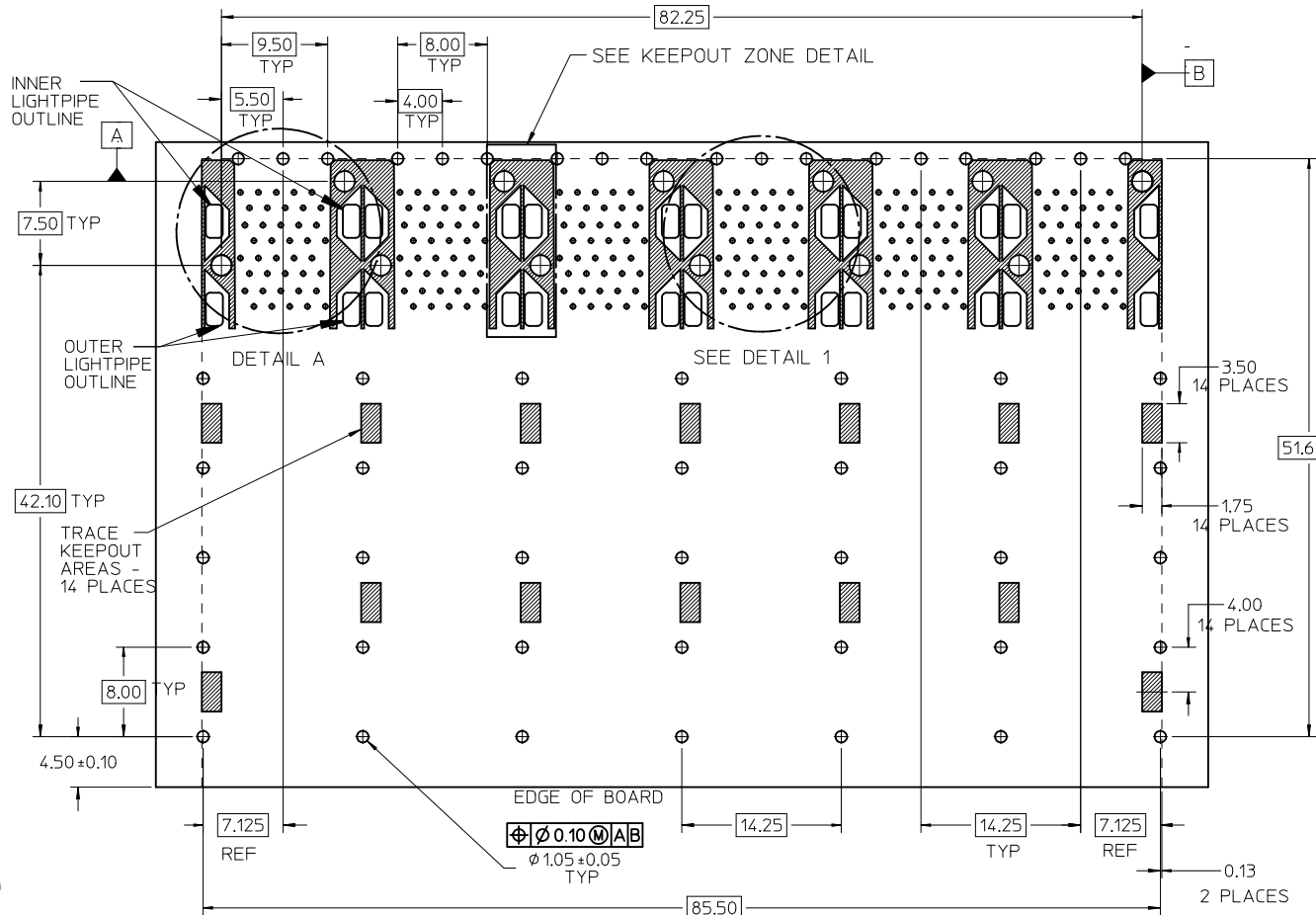
WITH OUTER LIGHTPIPES



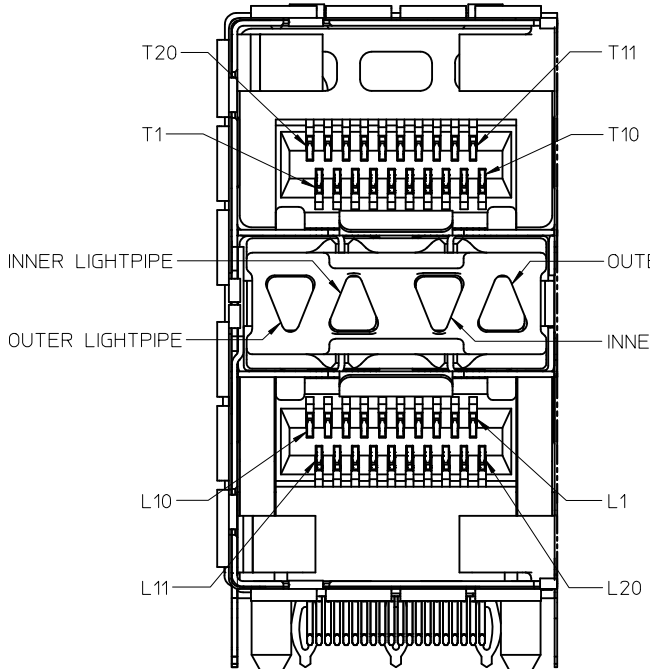
SEE SHEET 1 EC NO: UCP2012-2301 DRWN:BBARKER 2012/01/24 CHKD: APPR:SMILLER 2012/02/01	QUALITY SYMBOLS $\nabla = 0$ $\nabla = 0$ $\nabla = 0$	GENERAL TOLERANCES (UNLESS SPECIFIED) <table border="1"> <thead> <tr> <th></th> <th>mm</th> <th>INCH</th> </tr> </thead> <tbody> <tr> <td>4 PLACES</td> <td>± 0.13</td> <td>± 0.005</td> </tr> <tr> <td>3 PLACES</td> <td>± 0.25</td> <td>± 0.010</td> </tr> <tr> <td>2 PLACES</td> <td>± 0.38</td> <td>± 0.015</td> </tr> <tr> <td>1 PLACE</td> <td>± 0.51</td> <td>± 0.020</td> </tr> </tbody> </table>		mm	INCH	4 PLACES	± 0.13	± 0.005	3 PLACES	± 0.25	± 0.010	2 PLACES	± 0.38	± 0.015	1 PLACE	± 0.51	± 0.020	DIMENSION STYLE <b>MM ONLY</b> DRAWN BY DATE BBARKER 2011/09/21 CHECKED BY DATE	SCALE <b>2:1</b> DESIGN UNITS <b>METRIC</b> THIRD ANGLE PROJECTION	TITLE <b>STACKED SFP+ 2X6 ASSY          W/ METAL EMI GASKET AND          LIGHTPIPES, ENHANCED EMI</b>
		mm	INCH																	
	4 PLACES	± 0.13	± 0.005																	
	3 PLACES	± 0.25	± 0.010																	
2 PLACES	± 0.38	± 0.015																		
1 PLACE	± 0.51	± 0.020																		
	DRAFT WHERE APPLICABLE MUST REMAIN WITHIN DIMENSIONS	APPROVED BY DATE SMILLER 2011/10/10 MATERIAL NO. <b>SEE TABLE</b>	MOLEX INCORPORATED DOCUMENT NO. <b>SD-76048-0002</b>	SHEET NO. <b>2 OF 5</b>																
		SIZE <b>C</b>	THIS DRAWING CONTAINS INFORMATION THAT IS PROPRIETARY TO MOLEX INCORPORATED AND SHOULD NOT BE USED WITHOUT WRITTEN PERMISSION																	



DETAIL 1  
SCALE 6:1



RECOMMENDED PCB LAYOUT - COMPONENT SIDE  
 RECOMMENDED PCB THICKNESS - 2.63 MM (.093 INCH)  
 THE ENTIRE AREA OF THE CONNECTOR FOOTPRINT  
 TO BE CONSIDERED THE KEEP OUT AREA FOR COMPONENTS  
 (OTHER THAN LIGHT PIPE LED'S)  
 THIS AREA IS INDICATED BY THE DASHED LINE

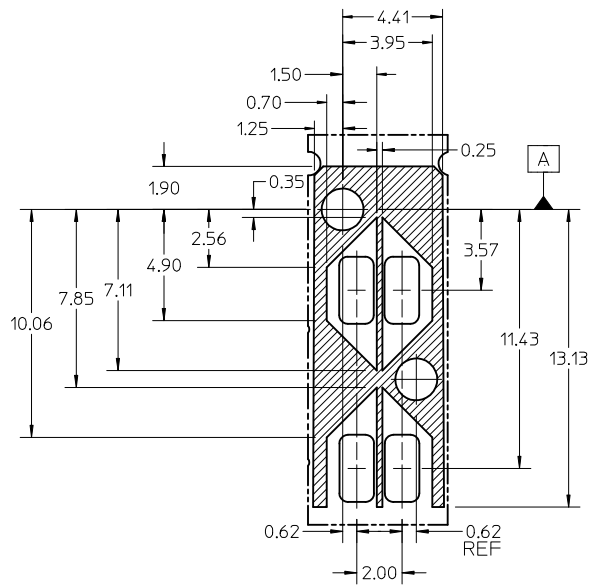


DETAIL 3  
SCALE 6:1

ADD DETAIL 3 EC NO: UCP2012-2301 DRWN:BBARKER 2012/01/24 CHKD: MILLER APPR:SMILLER 2012/02/01	QUALITY SYMBOLS	GENERAL TOLERANCES (UNLESS SPECIFIED)	DIMENSION STYLE MM ONLY	SCALE 3:1	DESIGN UNITS METRIC	THIRD ANGLE PROJECTION
	▽=0	mm INCH	DRAWN BY DATE BBARKER 2011/09/21	TITLE STACKED SFP+ 2X6 ASSY W/ METAL EMI GASKET AND LIGHTPIPES, ENHANCED EMI	MOLEX INCORPORATED SD-76048-0002	
	▽=0	4 PLACES ± --- ± --- 3 PLACES ± --- ± --- 2 PLACES ± 0.13 ± --- 1 PLACE ± 0.25 ± ---	CHECKED BY DATE	APPROVED BY DATE SMILLER 2011/10/10		
	▽=0	ANGULAR ± 5 °	MATERIAL NO. SEE TABLE	DOCUMENT NO. SD-76048-0002	SHEET NO. 3 OF 5	

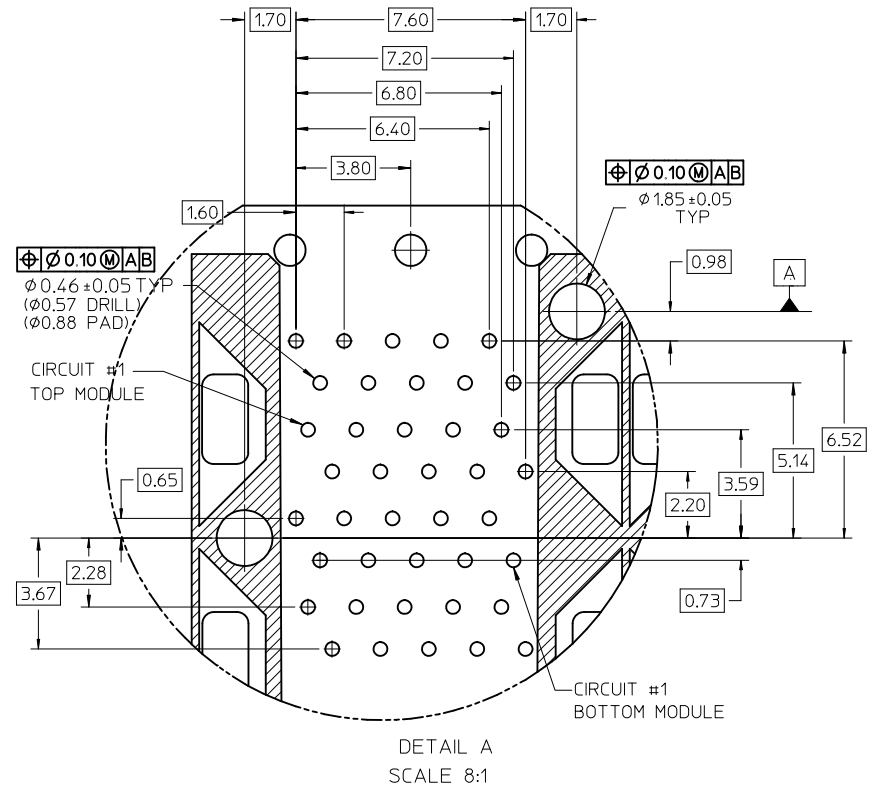
DRAFT WHERE APPLICABLE MUST REMAIN WITHIN DIMENSIONS

THIS DRAWING CONTAINS INFORMATION THAT IS PROPRIETARY TO MOLEX INCORPORATED AND SHOULD NOT BE USED WITHOUT WRITTEN PERMISSION



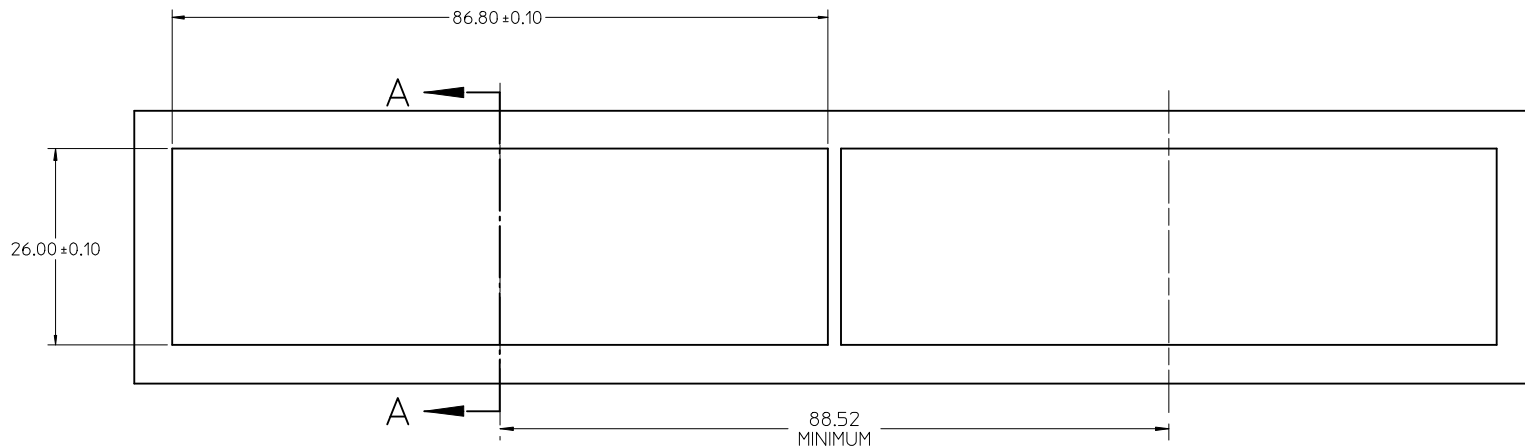
DETAIL - LIGHTPIPE LOCATION AND OTHER ZONES  
SCALE 6:1

THE HATCHED AREA IN THIS VIEW INDICATES ZONES THAT ARE OCCUPIED BY THE PLASTIC HOUSING THAT SEATS AGAINST THE PCB AND BY THE VERTICAL METAL CAGE WALL THAT STOPS JUST SHORT OF THE PCB

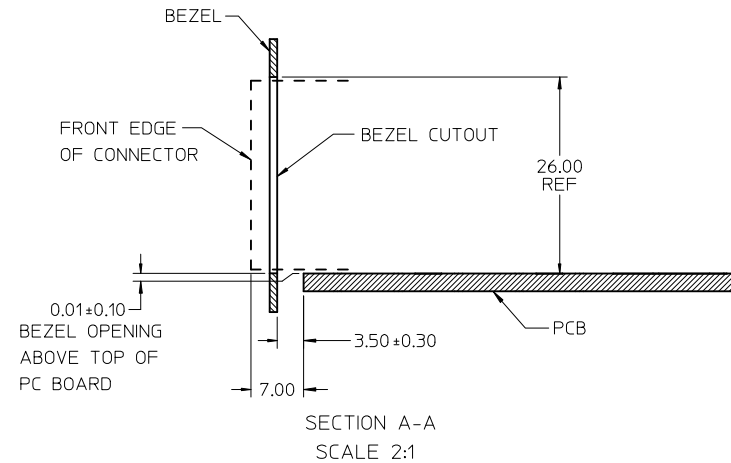


DETAIL A  
SCALE 8:1

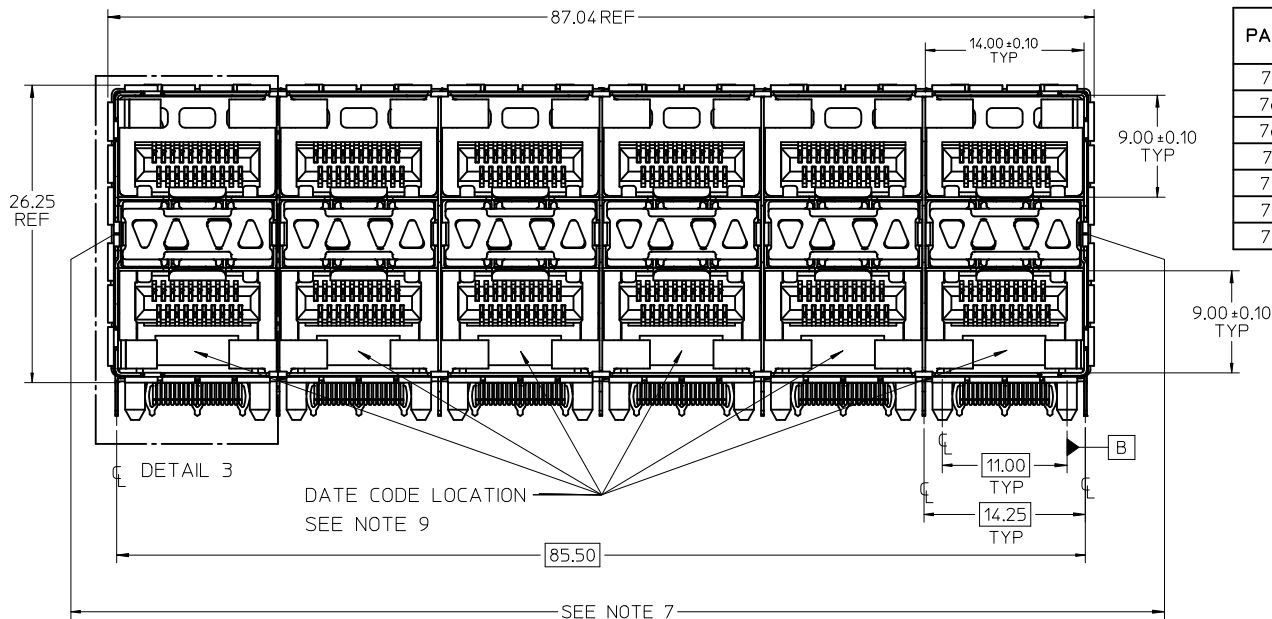
SEE SHEET 1 EC NO: UCP2012-2301 DRAWN: BBARKER 2012/01/24 CHKD: APPR: SMILLER 2012/02/01	QUALITY SYMBOLS ▽=0 ▽=0 ▽=0	GENERAL TOLERANCES (UNLESS SPECIFIED)		DIMENSION STYLE MM ONLY		SCALE 2:1	DESIGN UNITS METRIC	THIRD ANGLE PROJECTION		
		4 PLACES ± --- ± ---	3 PLACES ± --- ± ---	2 PLACES ± 0.13 ± ---	1 PLACE ± 0.25 ± ---	DRAWN BY BBARKER	DATE 2011/09/21	TITLE STACKED SFP+ 2X6 ASSY W/ METAL EMI GASKET AND LIGHTPIPES, ENHANCED EMI		
		ANGULAR ± 5 °		APPROVED BY SMILLER		DATE 2011/10/10				
		DRAFT WHERE APPLICABLE MUST REMAIN WITHIN DIMENSIONS		SEE TABLE		MATERIAL NO. DOCUMENT NO.		MOLEX INCORPORATED SD-76048-0002		
SIZE C		THIS DRAWING CONTAINS INFORMATION THAT IS PROPRIETARY TO MOLEX INCORPORATED AND SHOULD NOT BE USED WITHOUT WRITTEN PERMISSION								



BEZEL CUTOUT CENTER SPACING DETAIL  
BEZEL THICKNESS 0.8 - 2.6

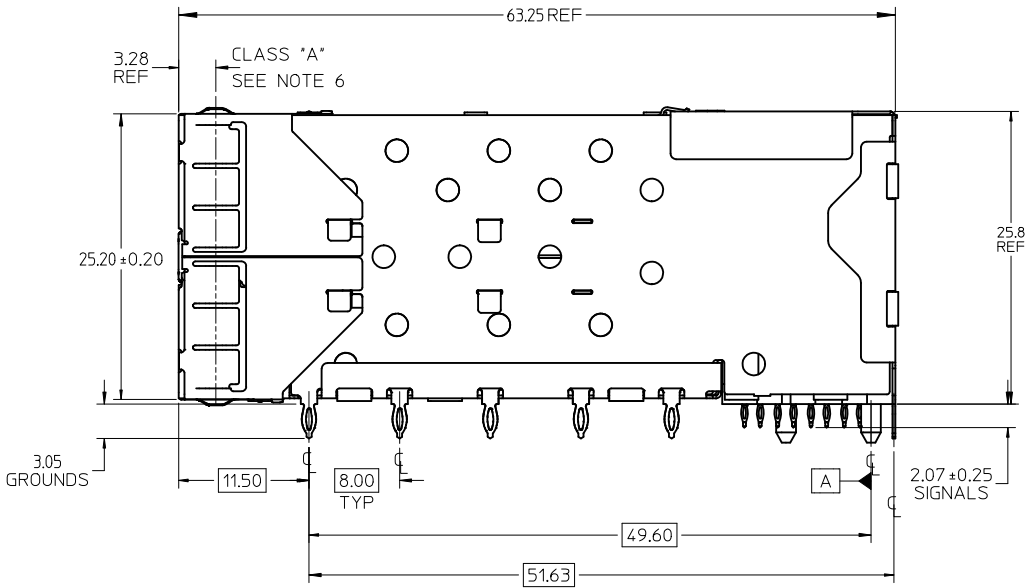


ADD SECOND BEZEL CUTOUT EC NO: UCP2012-2301 DRW:BBARKER 2012/01/24 CHKD: APPR:SMILLER 2012/02/01	DESCRIPTION REV 0 0 0	QUALITY SYMBOLS =0 =0 =0	GENERAL TOLERANCES (UNLESS SPECIFIED)		DIMENSION STYLE <b>MM ONLY</b>		SCALE <b>3:1</b>	DESIGN UNITS <b>METRIC</b>	THIRD ANGLE PROJECTION	
			4 PLACES ± --- ± ---	3 PLACES ± --- ± ---	DRAWN BY BBARKER	DATE 2011/09/21	TITLE <b>STACKED SFP+ 2X6 ASSY          W/ METAL EMI GASKET AND          LIGHTPIPES, ENHANCED EMI</b>			
			2 PLACES ± 0.13 ± ---	1 PLACE ± 0.25 ± ---	CHECKED BY	DATE				
			ANGULAR ± 5 °		DRAFT WHERE APPLICABLE MUST REMAIN WITHIN DIMENSIONS		APPROVED BY SMILLER	DATE 2011/10/10	<b>MOLEX INCORPORATED</b>	

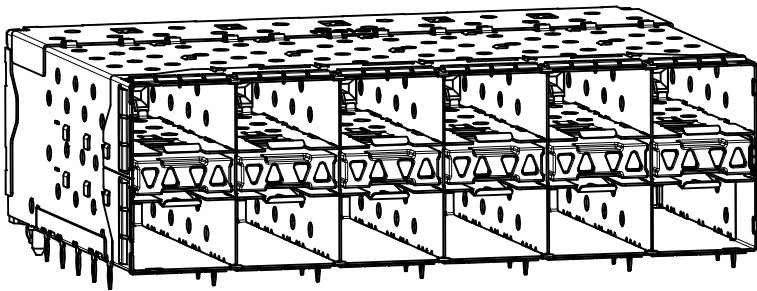


PART NUMBER	PART TYPE (SEE VIEWS ON SHEET 2)	COMPLIANT TAIL PLATING
760480001	4 LIGHT PORTS	TIN-LEAD
760480002	INNER 2 PORTS	TIN-LEAD
760480003	OUTER 2 PORTS	TIN-LEAD
760485001	4 LIGHT PORTS	TIN
760485002	INNER 2 PORTS	TIN
760485003	OUTER 2 PORTS	TIN
760485004	OUTER 2 PORTS - SPECIAL CONFIG	TIN

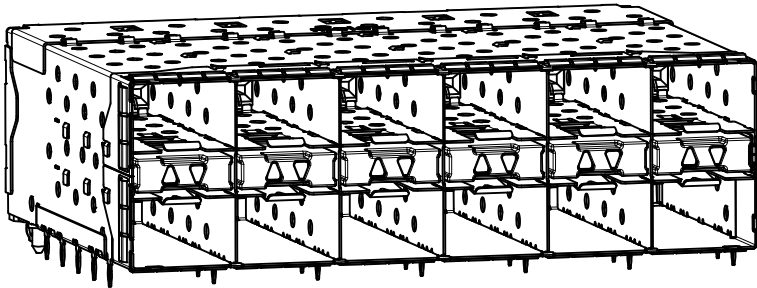
- NOTES**
- MATERIAL:**  
 CAGE: NICKEL SILVER, THICKNESS: 0.25mm  
 CONNECTOR HOUSING: GLASS FILLED LIQUID CRYSTAL POLYMER (LCP), UL 94V-0, COLOR: BLACK  
 OVERMOLD TERMINAL HOUSING: GLASS FILLED LIQUID CRYSTAL POLYMER (LCP), UL 94V-0, COLOR: BLACK  
 TERMINALS: TIN BRASS  
 EMI GASKET: PHOS-BRONZE  
 LIGHTPIPE HOUSING: ZINC  
 LIGHTPIPES: POLYCARBONATE, COLOR: CLEAR
  - FINISHES:**  
 TERMINALS: CONTACT AREA: 0.76 MICROMETERS MINIMUM HARD GOLD OVER 1.27 MICROMETERS MINIMUM NICKEL.  
 COMPLIANT TAIL - TIN/LEAD OPTION: 0.76 TO 1.52 MICROMETERS 90/10 TIN-LEAD OVER 0.76 MICROMETERS MINIMUM NICKEL.  
 COMPLIANT TAIL - TIN OPTION: 0.76 TO 1.52 MICROMETERS TIN OVER 0.76 MICROMETERS MINIMUM NICKEL.  
 LIGHT PIPE HOUSING: 80 MICROMETERS MINIMUM NICKEL OVER COPPER  
 EMI GASKET: 2.54 MICROMETERS MINIMUM NICKEL OVERALL
  - REFER TO PS-75310-001 PRODUCT SPEC FOR ALL ELECTRICAL, MECHANICAL, AND ENVIRONMENTAL SPECIFICATIONS.
  - LIGHTPIPE PAD LAYOUT IS FOR 0805 LOW-PROFILE LED PACKAGE, FOR OTHER RECOMMENDED LAYOUTS REFER TO MOLEX'S REPORT TS-75310-001.
  - REFER TO PK-75451-001 FOR ALL PACKAGING SPECIFICATIONS.
  - THE SURFACES CONFORM TO THE MOLEX COSMETIC SPEC PS-45499-002. ALL EXTERIOR SURFACES TO BE CLASS "B" SURFACE EXCEPT THE UNDERSIDE (CLASS "C") OF THE CAGE (SIDE TOWARD THE PCB) AND AS OTHERWISE NOTED.
  - THE OVERALL CAGE WIDTH AT THE VERTICAL CENTER OF THE FRONT EDGE WILL FALL WITHIN THIS DIMENSION: 86.30 ± 0.30 MM. THIS PORTION OF THE CAGE WILL FLEX INWARD AS THE CAGE IS BEING INSERTED INTO THE BEZEL OPENING.
  - REFER TO AS-76090-001 FOR HIGH SPEED ROUTING RECOMMENDATIONS.
  - DATE CODE LOCATION IS SHOWN ABOVE.  
 DATE CODE FORMAT: DDDY MX A1  
 DDD = DAY OF THE YEAR  
 Y = YEAR  
 MX = MOLEX  
 A = ALPHA CHARACTER - INDICATES MANUFACTURING LINE  
 1 = NUMERIC CHARACTER - INDICATES PRODUCTION SHIFT



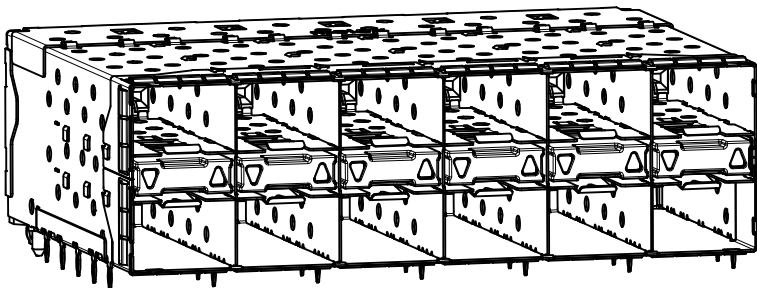
ADD 760485004 EC NO: UCP2011-2450 DRWINWOLFE 2011/03/08 CHKD:MIBARRA 2011/03/08 APPR:SMILLER 2011/11/09	QUALITY SYMBOLS ▽=0 ▽=0 ▽=0	GENERAL TOLERANCES (UNLESS SPECIFIED)		DIMENSION STYLE MM ONLY		SCALE 3:1	DESIGN UNITS METRIC	THIRD ANGLE PROJECTION		
		mm	INCH	DRAWN BY MSANDBERG	DATE 09/28/2006	TITLE <b>STACKED SFP+ 2X6 ASSY WITH METAL EMI GASKET AND LIGHTPIPES</b>				
		4 PLACES ± --- ± ---	3 PLACES ± --- ± ---	CHECKED BY JLONG	DATE 09/28/2006					
		2 PLACES ± 0.13 ± --- 1 PLACE ± 0.25 ± --- ANGULAR ± 5 °		APPROVED BY KREGNIER 09/28/2006		MOLEX INCORPORATED DOCUMENT NO. SD-76048-001				
DRAFT WHERE APPLICABLE MUST REMAIN WITHIN DIMENSIONS		SEE TABLE		SHEET NO. 1 OF 5						



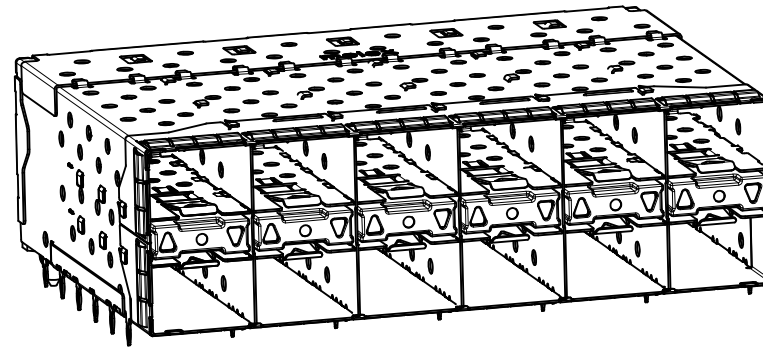
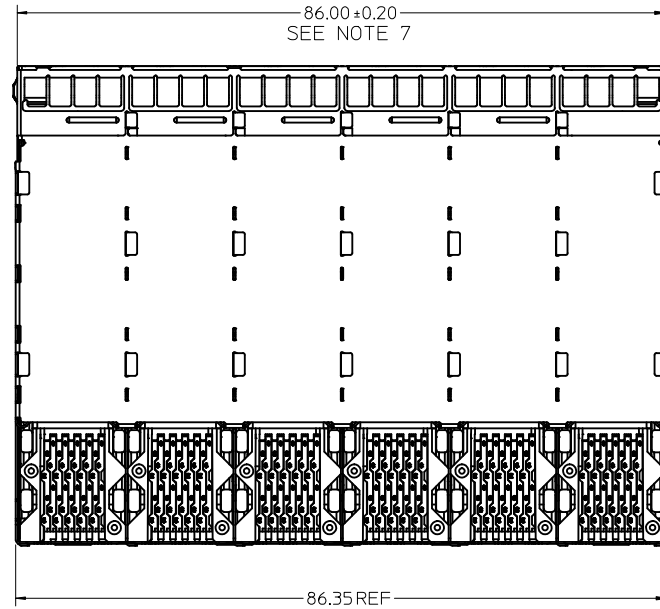
760480001 AND 760485001  
WITH INNER AND OUTER LIGHTPIPPES



760480002 AND 760485002  
WITH INNER LIGHTPIPPES

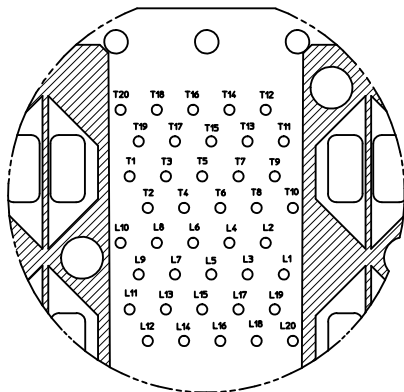


760480003 AND 760485003  
WITH OUTER LIGHTPIPPES

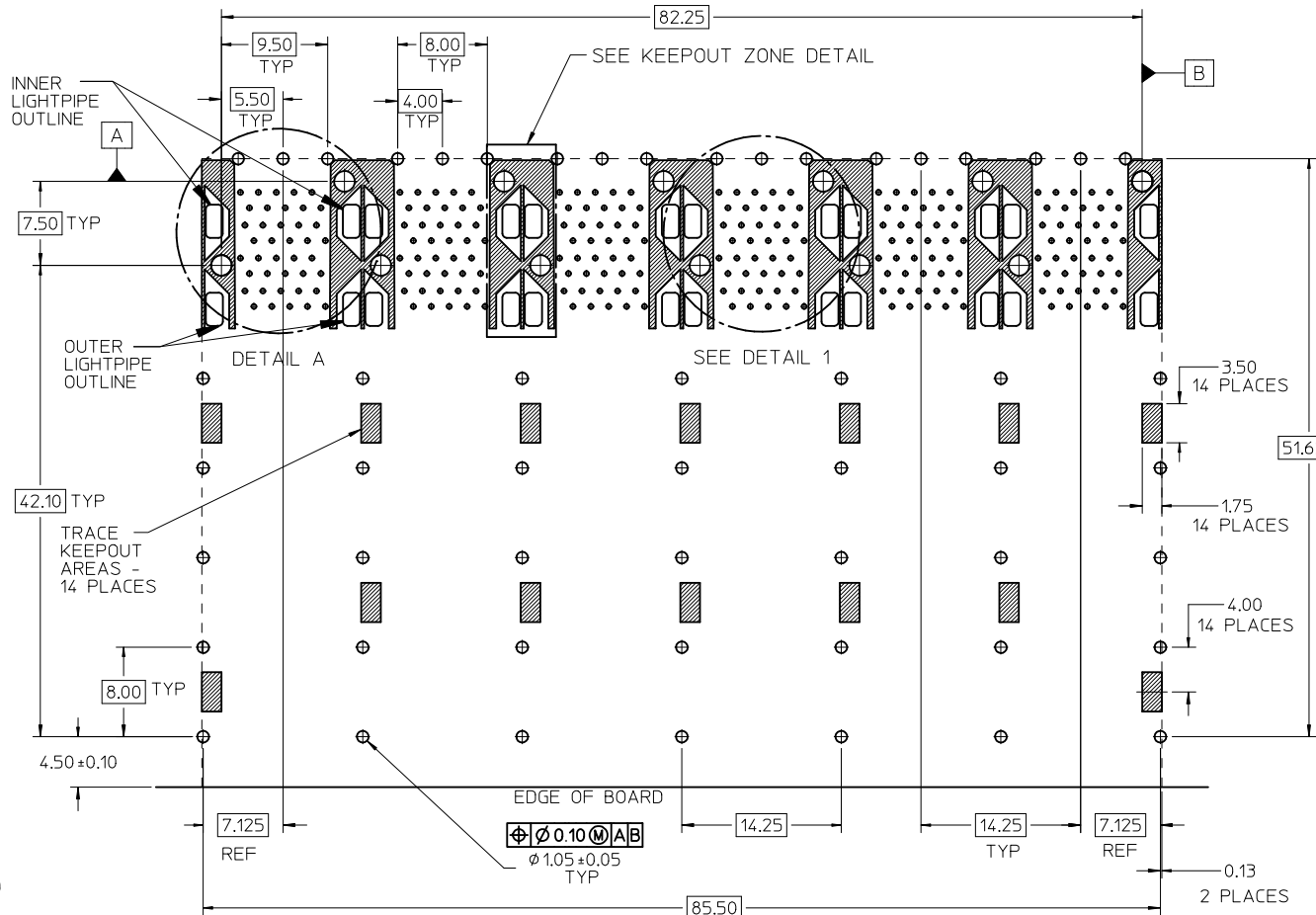


760485004  
WITH OUTER LIGHTPIPPES

SEE SHEET 1 EC NO: UCP2011-2450 DRWN:WOLFE 2011/03/08 CHKD:MBARRA 2011/03/08 APPR:SMILLER 2011/11/09	QUALITY SYMBOLS ∇=0 ∇=0 ∇=0	GENERAL TOLERANCES (UNLESS SPECIFIED)		DIMENSION STYLE <b>MM ONLY</b>		SCALE 2:1	DESIGN UNITS METRIC	THIRD ANGLE PROJECTION		
		mm	INCH	DRAWN BY	DATE	STACKED SFP+ 2X6 ASSY WITH METAL EMI GASKET AND LIGHTPIPPES				
		4 PLACES ± ---	± ---	MSANDBERG	09/28/2006					
		3 PLACES ± ---	± ---	CHECKED BY	DATE	MOLEX INCORPORATED				
2 PLACES ± 0.13	± ---	JLONG	09/28/2006							
1 PLACE ± 0.25	± ---	APPROVED BY	DATE	MATERIAL NO.		DOCUMENT NO.		SHEET NO.		
ANGULAR ± 5 °		DRAFT WHERE APPLICABLE MUST REMAIN WITHIN DIMENSIONS		SEE TABLE		SD-76048-001		2 OF 5		
THIS DRAWING CONTAINS INFORMATION THAT IS PROPRIETARY TO MOLEX INCORPORATED AND SHOULD NOT BE USED WITHOUT WRITTEN PERMISSION										

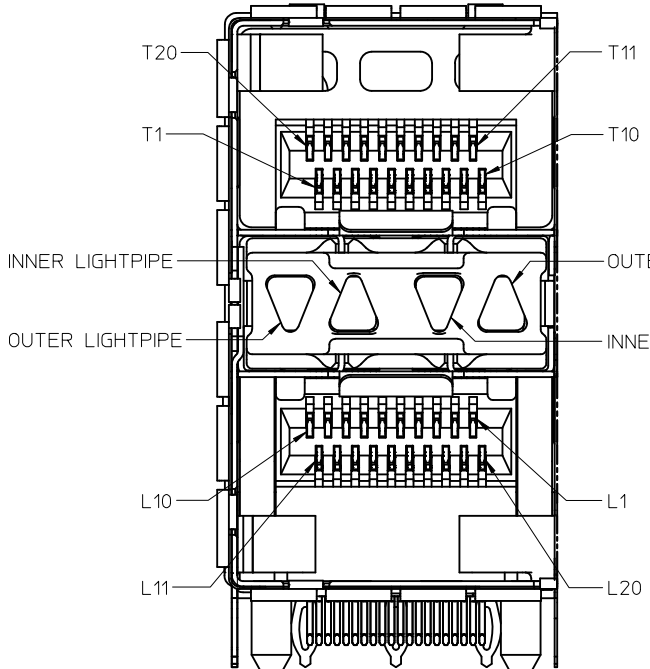


DETAIL 1  
SCALE 6:1



RECOMMENDED PCB LAYOUT - COMPONENT SIDE  
RECOMMENDED PCB THICKNESS - 2.63 MM (.093 INCH)

THE ENTIRE AREA OF THE CONNECTOR FOOTPRINT  
TO BE CONSIDERED THE KEEP OUT AREA FOR COMPONENTS  
(OTHER THAN LIGHT PIPE LED'S)  
THIS AREA IS INDICATED BY THE DASHED LINE



DETAIL 3  
SCALE 6:1

ADD DETAIL 3 EC NO: UCP2011-2450 DRAWN BY: DRWINWOLFE 2011/03/08 CHKD BY: MIBARRA 2011/03/08 APPR: SMILLER 2011/11/09	QUALITY SYMBOLS	GENERAL TOLERANCES (UNLESS SPECIFIED)	DIMENSION STYLE	SCALE	DESIGN UNITS	THIRD ANGLE PROJECTION
	▽=0	mm INCH	MM ONLY	3:1	METRIC	
	▽=0	4 PLACES ± --- ± ---	DRAWN BY DATE			
	▽=0	3 PLACES ± --- ± ---	CHECKED BY DATE			
		2 PLACES ± 0.13 ± ---	JLONG 09/28/2006			
		1 PLACE ± 0.25 ± ---	APPROVED BY DATE			
		ANGULAR ± 5 °	KREGNIER 09/28/2006			
			MATERIAL NO.			
			SEE TABLE			
			SIZE			

DRAFT WHERE APPLICABLE  
MUST REMAIN  
WITHIN DIMENSIONS

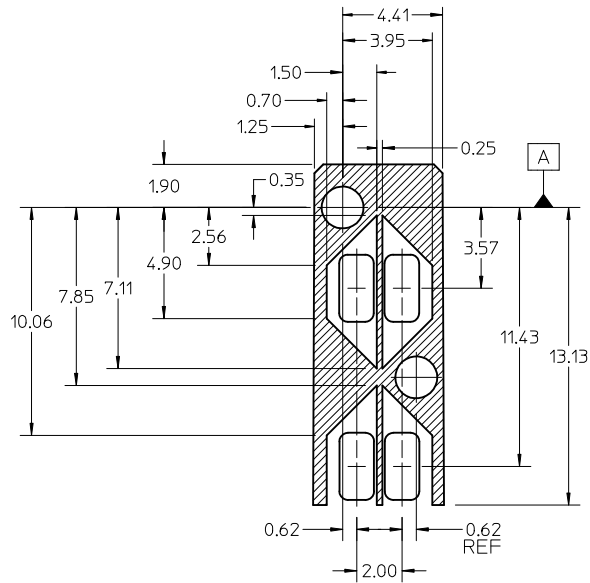
THIS DRAWING CONTAINS INFORMATION THAT IS PROPRIETARY TO MOLEX  
INCORPORATED AND SHOULD NOT BE USED WITHOUT WRITTEN PERMISSION

MOLEX INCORPORATED

SD-76048-001

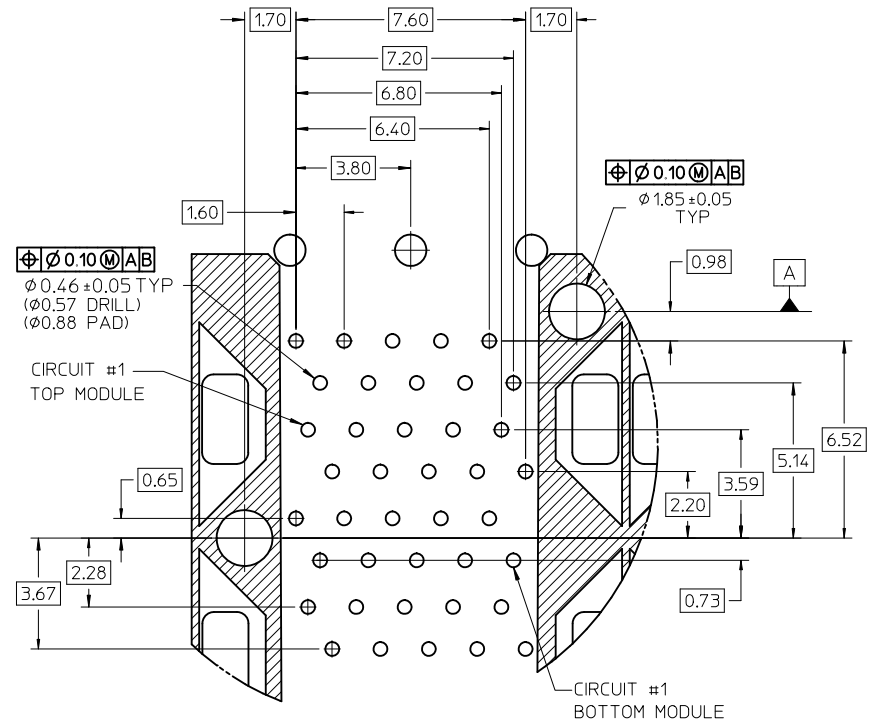
3 OF 5





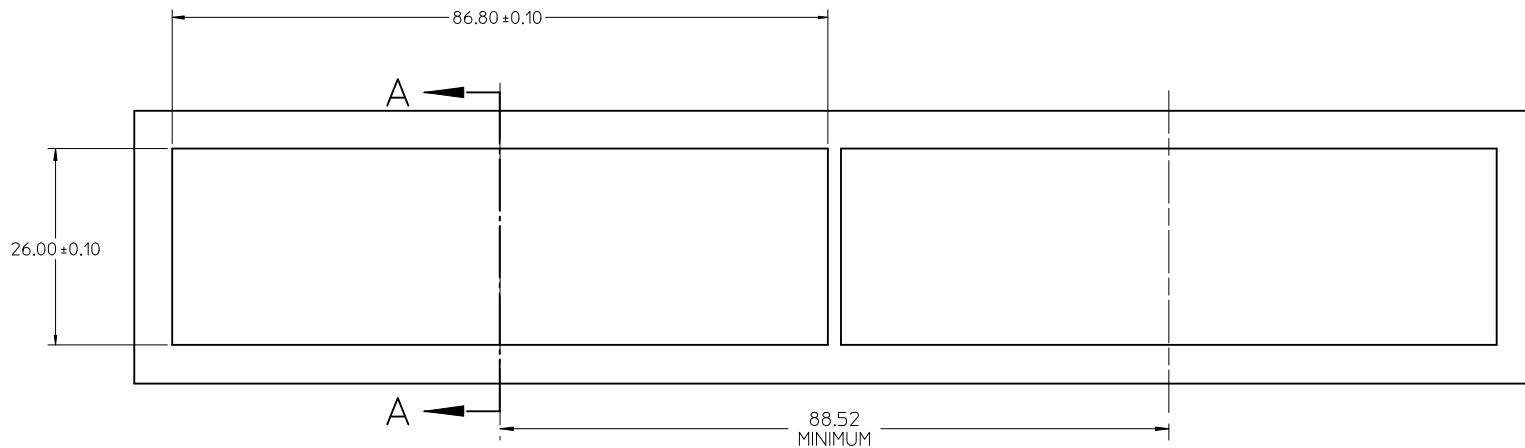
DETAIL - LIGHTPIPE LOCATION AND OTHER ZONES  
SCALE 6:1

THE HATCHED AREA IN THIS VIEW INDICATES ZONES THAT ARE OCCUPIED BY THE PLASTIC HOUSING THAT SEATS AGAINST THE PCB AND BY THE VERTICAL METAL CAGE WALL THAT STOPS JUST SHORT OF THE PCB

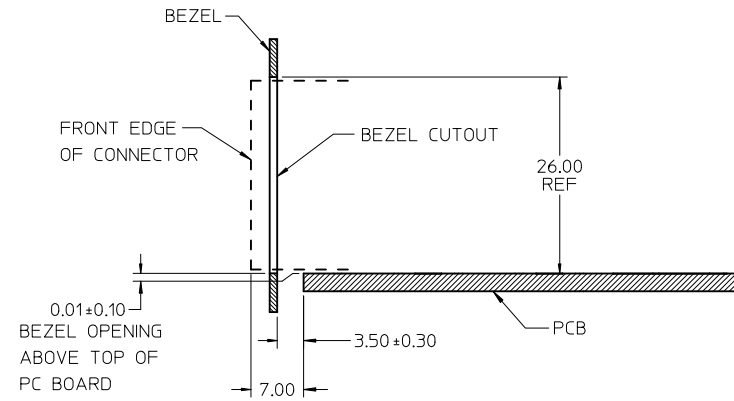


DETAIL A  
SCALE 8:1

SEE SHEET 1 EC NO: UCP2011-2450 DRAWN: MWOLFE 2011/03/08 CHKD: MIBARRA 2011/03/08 APPR: SMILLER 2011/11/09	QUALITY SYMBOLS ▽=0 ▽=0 ▽=0	GENERAL TOLERANCES (UNLESS SPECIFIED)		DIMENSION STYLE <b>MM ONLY</b>	SCALE <b>2:1</b>	DESIGN UNITS <b>METRIC</b>	THIRD ANGLE PROJECTION	
		4 PLACES ± --- ± ---	3 PLACES ± --- ± ---	DRAWN BY MSANDBERG	DATE 09/28/2006	TITLE <b>STACKED SFP+ 2X6 ASSY WITH METAL EMI GASKET AND LIGHTPIPES</b>		
		2 PLACES ± 0.13 ± ---	1 PLACE ± 0.25 ± ---	CHECKED BY JLONG	DATE 09/28/2006	MOLEX INCORPORATED		
		ANGULAR ± 5 °		APPROVED BY KREGNIER	DATE 09/28/2006	MATERIAL NO.	DOCUMENT NO.	SHEET NO.
DRAFT WHERE APPLICABLE MUST REMAIN WITHIN DIMENSIONS		SEE TABLE		SD-76048-001		4 OF 5		
THIS DRAWING CONTAINS INFORMATION THAT IS PROPRIETARY TO MOLEX INCORPORATED AND SHOULD NOT BE USED WITHOUT WRITTEN PERMISSION								



BEZEL CUTOUT CENTER SPACING DETAIL  
BEZEL THICKNESS 0.8 - 2.6



SECTION A-A  
SCALE 2:1

ADD SECOND BEZEL CUTOUT EC NO: UCP2011-2450 DRWN:WOLFE 2011/03/08 CHKD:MIBARRA 2011/03/08 APPR:SMILLER 2011/11/09	QUALITY SYMBOLS ▽=0 ▽=0 ▽=0	GENERAL TOLERANCES (UNLESS SPECIFIED)		DIMENSION STYLE <b>MM ONLY</b>		SCALE <b>3:1</b>	DESIGN UNITS <b>METRIC</b>	THIRD ANGLE PROJECTION		
		4 PLACES ± --- ± ---	3 PLACES ± --- ± ---	2 PLACES ± 0.13 ± ---	1 PLACE ± 0.25 ± ---	DRAWN BY MSANDBERG	DATE 09/28/2006	TITLE <b>STACKED SFP+ 2X6 ASSY WITH METAL EMI GASKET AND LIGHTPIPES</b>		
		ANGULAR ± 5 °		DRAFT WHERE APPLICABLE MUST REMAIN WITHIN DIMENSIONS		CHECKED BY JLONG	DATE 09/28/2006			
		REV D	DESCRIPTION	MATERIAL NO.		APPROVED BY KREGNIER		DATE 09/28/2006	MOLEX INCORPORATED DOCUMENT NO. SD-76048-001	