

4

3

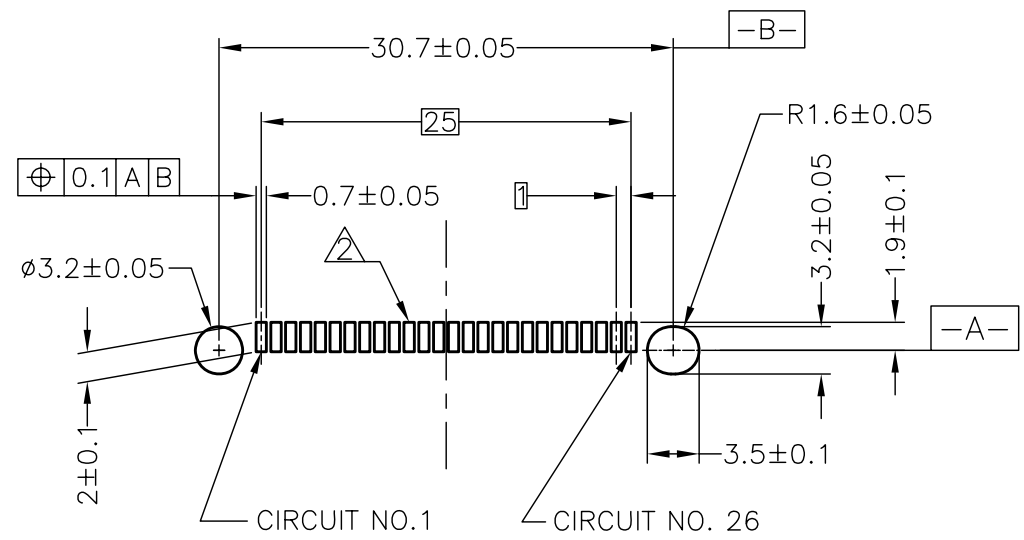
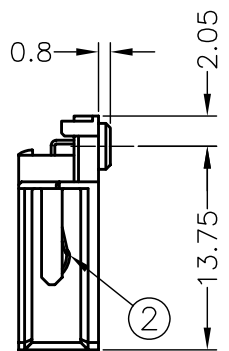
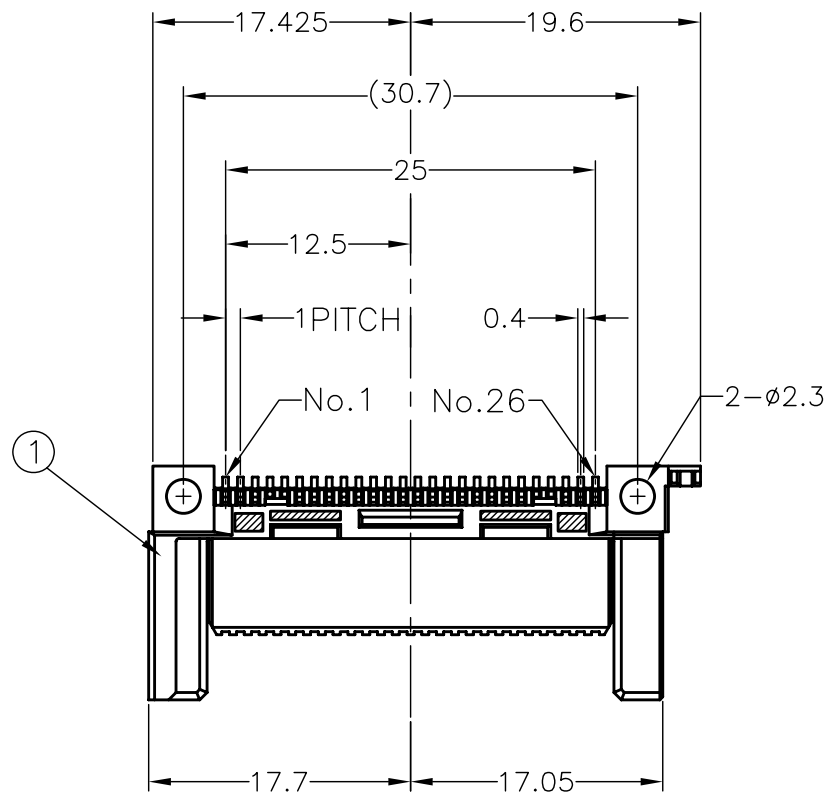
2

1

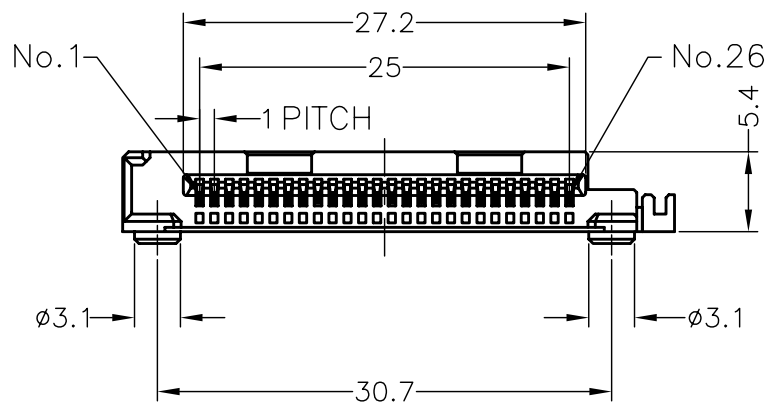
THIS DRAWING IS UNPUBLISHED. RELEASED FOR PUBLICATION

© COPYRIGHT BY TYCO ELECTRONICS CORPORATION. ALL RIGHTS RESERVED.

LOC DW	DIST	REVISIONS			DATE	DWN	APVD
P	LTR	DESCRIPTION	18SEP08	W.C	H.K		
	C	REVISED (ECR-08-023963)					



REFERENCE P.C.BOARD LAYOUT
 GENERAL TOLERANCE ±0.05
 (SCALE: 2:1)
 (HEADER CONNECTOR MOUNTING LAYOUT DETAIL)



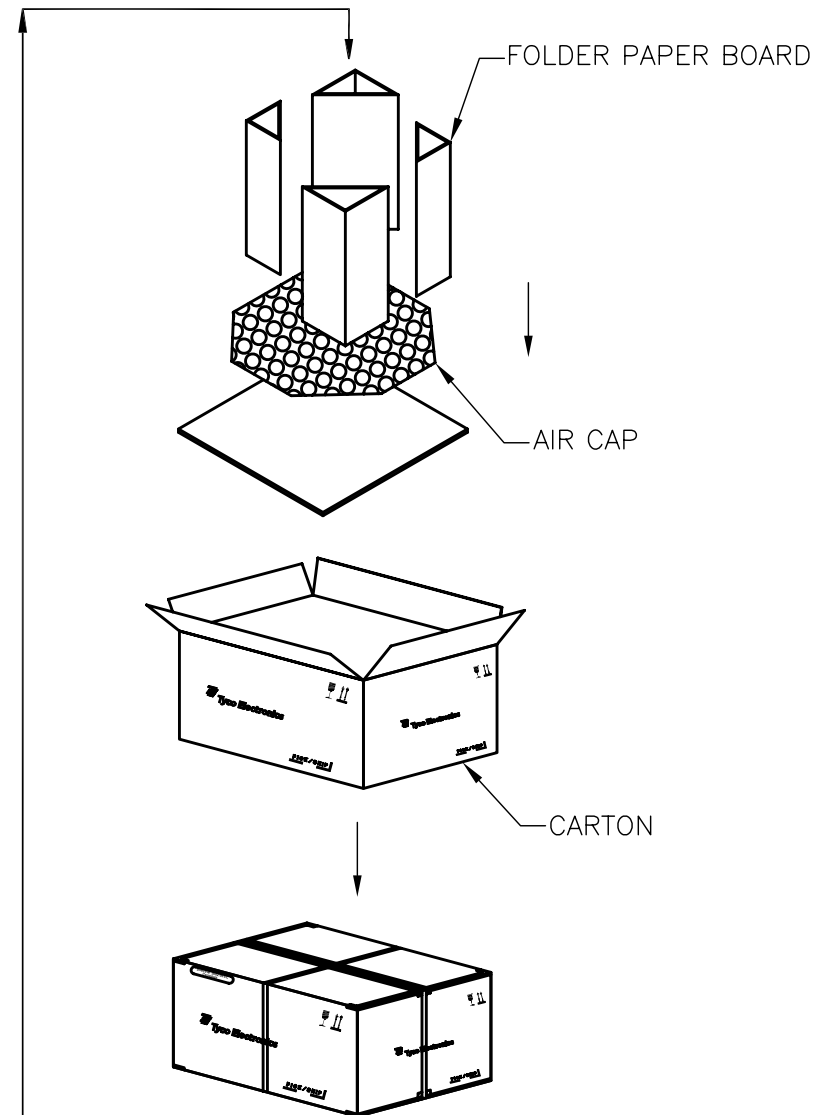
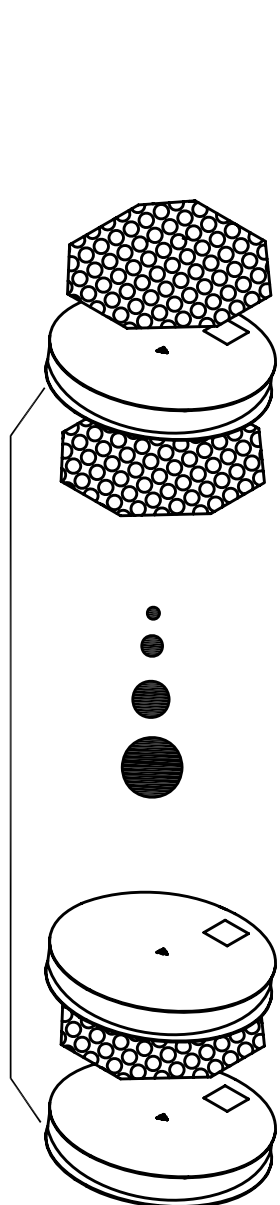
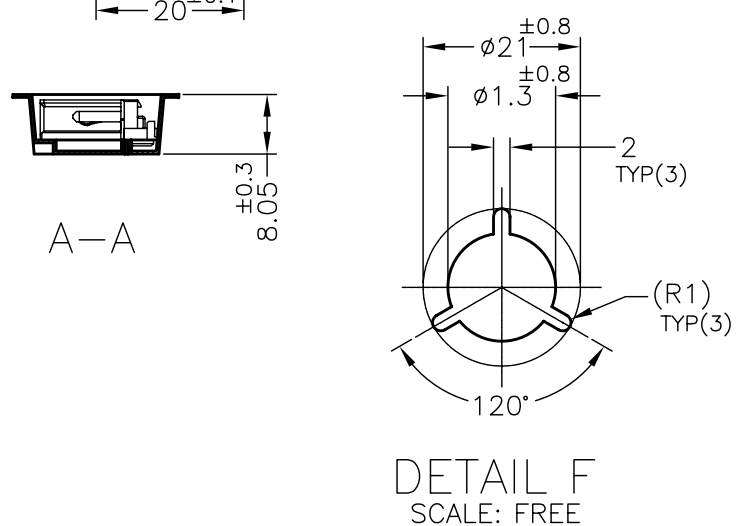
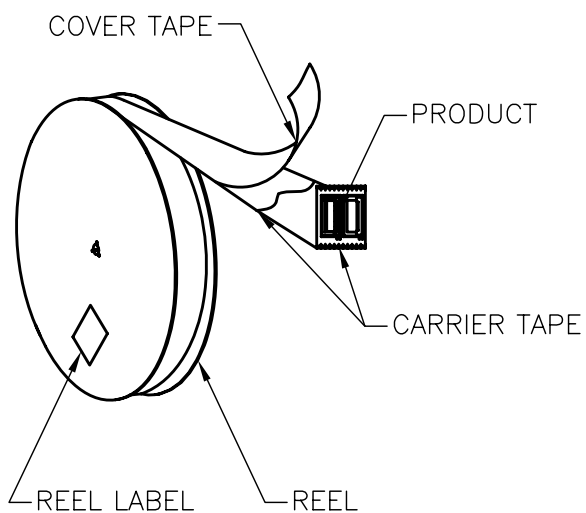
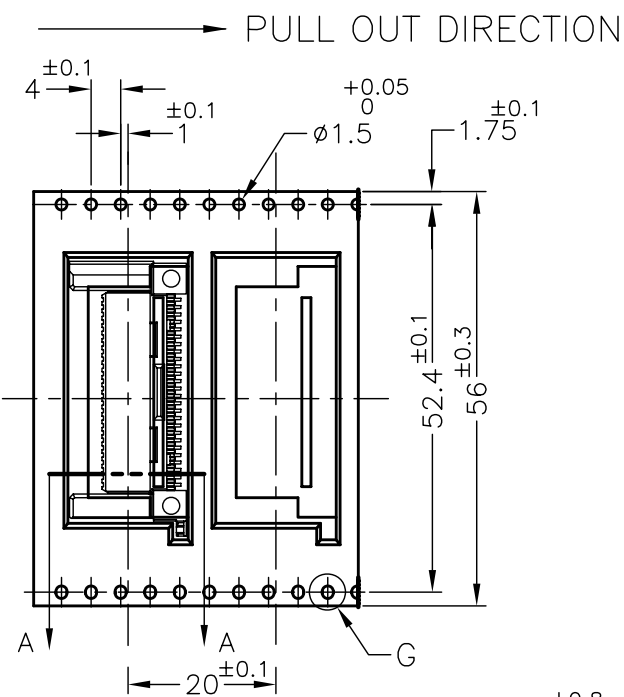
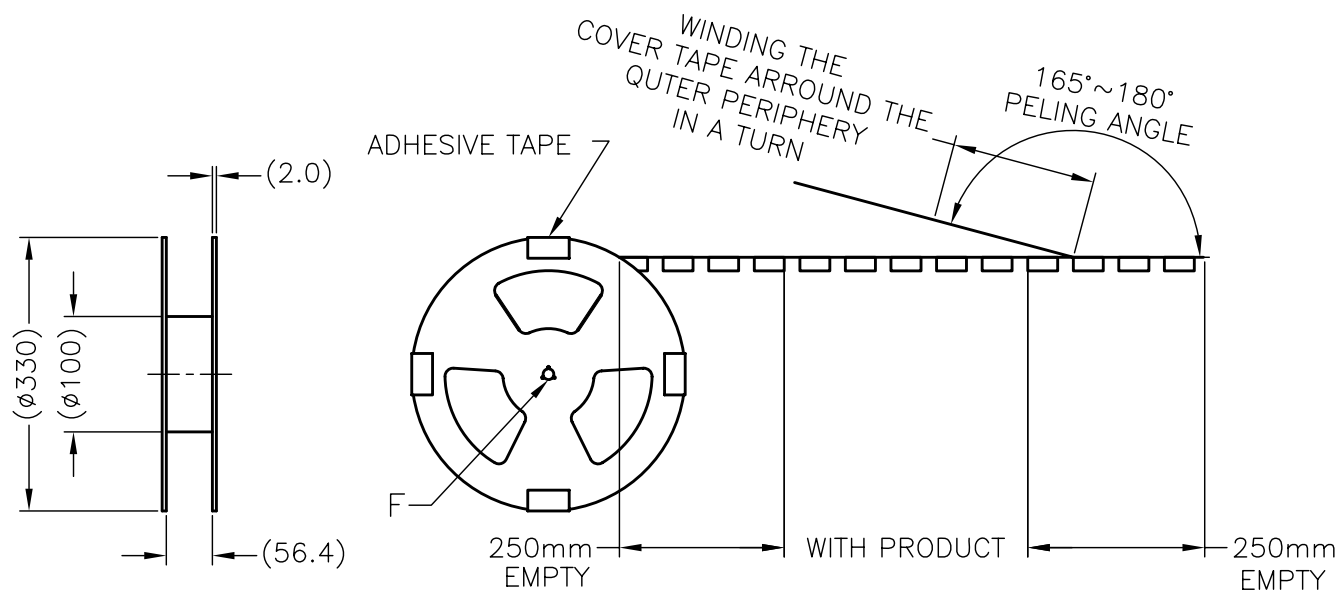
1. BE USE ALTOGETHER THE HEADER AND TYCO ELECTRONICS'S FRAME
 △ SOLDER PAD

COPPER ALLOY Au 0.000381mm MIN., TIN 0.002mm MIN. Ni 0.00127mm MIN. UNDERPLATING ALL OVER	HIGH TEMP THERMOPLASTIC UL94 V-0 COLOR:BLACK	26	1759011-2
COPPER ALLOY Au 0.0002mm MIN., TIN 0.002mm MIN. Ni 0.00127mm MIN. UNDERPLATING ALL OVER	HIGH TEMP THERMOPLASTIC UL94 V-0 COLOR:BLACK	26	1759011-1
② CONTACT	① HEADER HSG	POS.	PART NUMBER

THIS DRAWING IS A CONTROLLED DOCUMENT.		DWN M.CHAO 16FEB05	Tyco Electronics Corporation Tyco Electronics Taipei, Taiwan	
DIMENSIONS: mm		CHK T.FUTATSUGI 16FEB05	NAME	
TOLERANCES UNLESS OTHERWISE SPECIFIED: 0 PLC ± 0.5 1 PLC ± 0.5 2 PLC ± 0.5 3 PLC ± 0.5 4 PLC ± 0.5 ANGLES ± 1°		APVD H.KODAMA 16FEB05	PRODUCT SPEC 108-99000	
MATERIAL		FINISH	APPLICATION SPEC	RESTRICTED TO
		WEIGHT 1.25 g	SIZE A3	CAGE CODE 00779
		CUSTOMER DRAWING	DRAWING NO C-1759011	SCALE 2:1
			SHEET 1 OF 2	REV C

THIS DRAWING IS UNPUBLISHED. RELEASED FOR PUBLICATION
 © COPYRIGHT BY TYCO ELECTRONICS CORPORATION. ALL RIGHTS RESERVED.

LOC	DIST	REVISIONS		
DW	/	P	LTR	DESCRIPTION
				DATE
				DWN
				APVD
				—
				—
				—



3. PACKING MATERIAL: CARRIER TAPE: HIPS; COLOR: CLEAR.
 COVER TAPE: PET; COLOR: CLEAR.
 4. CARTON DIMENSIONS: 355X355X310

350	4	1400
PCS/REEL	REEL/CARTON	TOTAL Q'TY

THIS DRAWING IS A CONTROLLED DOCUMENT.

DIMENSIONS:	TOLERANCES UNLESS OTHERWISE SPECIFIED:	DWN	Tyco Electronics Tyco Electronics Corporation Taipei, Taiwan	
mm	0 PLC ± 1	CHK	NAME	
	1 PLC ± 1	APVD	HEADER ASSEMBLY	
	2 PLC ± 1	PRODUCT SPEC	TOP MOUNT, CARD PUSH TYPE	
	3 PLC ± 1	APPLICATION SPEC	SIZE	CAGE CODE
	4 PLC ± 1	WEIGHT	A3	00779
	ANGLES ± 3'	CUSTOMER DRAWING	DRAWING NO	C-1759011
MATERIAL	FINISH	SCALE	RESTRICTED TO	
		1:1		
		SHEET	2	OF 2
		REV		C