

4

3

2

1

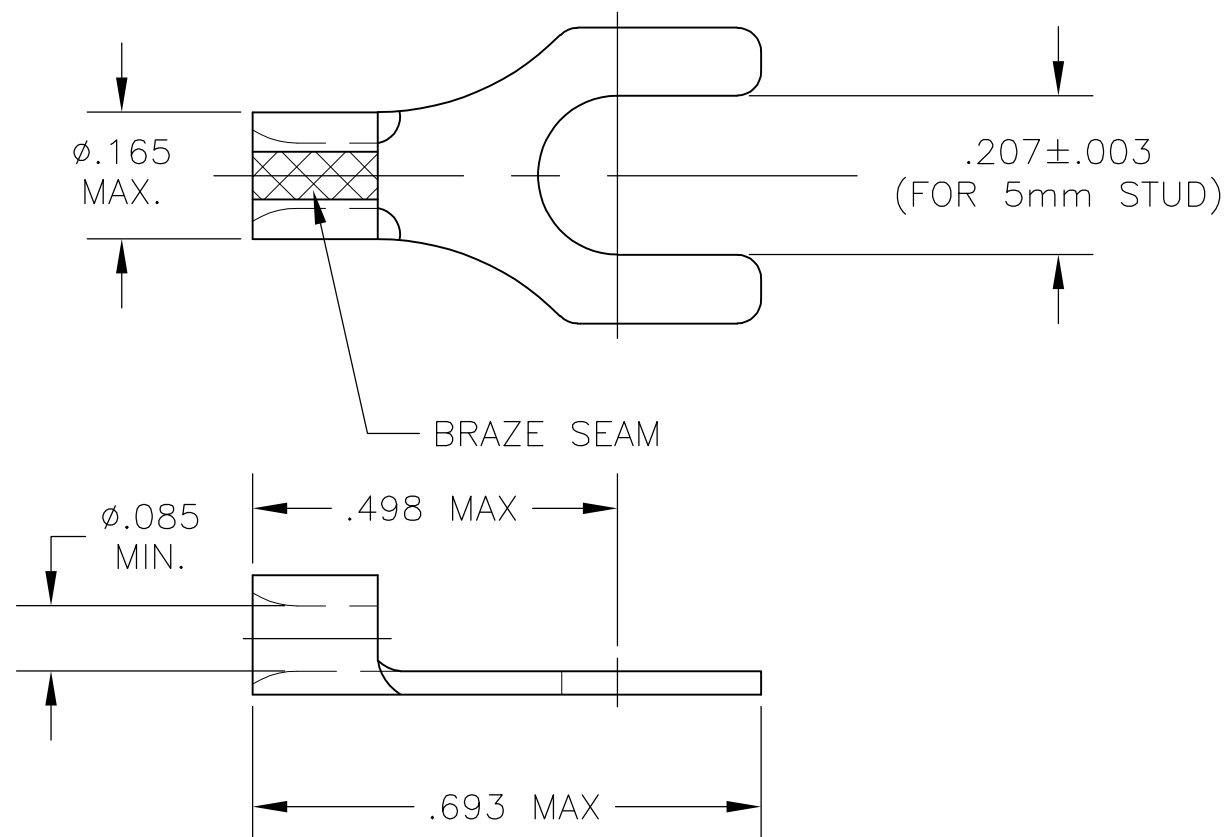
THIS DRAWING IS UNPUBLISHED.

RELEASED FOR PUBLICATION

© COPYRIGHT - BY TYCO ELECTRONICS CORPORATION. ALL RIGHTS RESERVED.

LOC	DIST	REVISIONS					
		P	LTR	DESCRIPTION	DATE	DWN	APVD
G	86		B	REV PER ECR 09-025898	02DEC09	JR	TM

1 WIRE SIZE IS #16-#14 AWG



160127

PART NO.

THIS DRAWING IS A CONTROLLED DOCUMENT.		DWN JR RUTH	10MAR06	Tyco Electronics Corporation Harrisburg, PA 17105-3608	
DIMENSIONS: INCHES		CHK T. MICHIELUTTI	10MAR06		
		APVD T. MICHIELUTTI	10MAR06	NAME	
TOLERANCES UNLESS OTHERWISE SPECIFIED: 0 PLC $\pm -$ 1 PLC $\pm -$ 2 PLC $\pm -$ 3 PLC $\pm .008$ 4 PLC $\pm -$ ANGLES $\pm -$		PRODUCT SPEC		TERMINAL RECTANGULAR TONGUE (SLOTTED) SOLISTRAND	
MATERIAL COPPER, ANNEALED		FINISH TIN PLATE		APPLICATION SPEC	
		WEIGHT -		SIZE A3	CAGE CODE 00779
		CUSTOMER DRAWING		DRAWING NO G-160127	RESTRICTED TO -
		SCALE 4:1		SHEET 1 OF 1	REV B