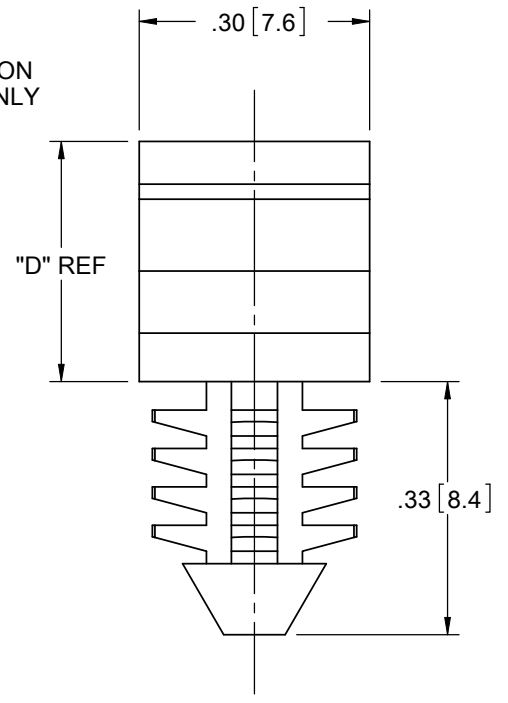
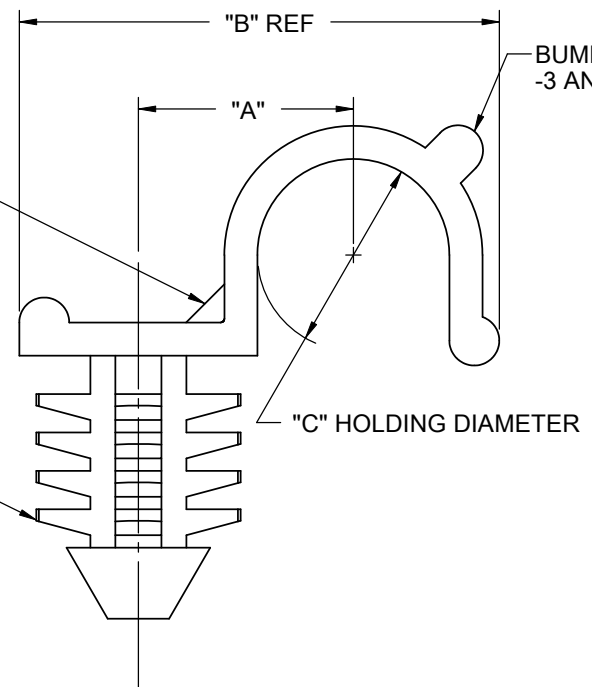


PART NO.	"A"	"B" REF	"C" HOLDING DIAMETER	"D" REF
HURCBH-2-01	.20 [5.1]	.49 [12.4]	1/8 [3.2]	.17 [4.3]
HURCBH-3-01	.24 [6.1]	.56 [14.2]	3/16 [4.8]	.24 [6.1]
HURCBH-4-01	.27 [6.9]	.62 [15.7]	1/4 [6.4]	.30 [7.6]

HURCBH-3
 HURCBH-2
 GUSSET APPEARS ON
 -4 SIZE ONLY



TO PRESS FIT IN A $\varnothing .250 \pm .003$ [6.35 ± .076] HOLE
 IN A .25 [6.35] MIN PANEL THICKNESS

- NOTES:
 1. MATERIAL: NYLON 6/6 UL 94 V-2 (RMS-01).
 NYLON 6/6 UL 94 V-0 (RMS-19) AVAILABLE
 BY SPECIAL ORDER ONLY.
 NYLON 4/6 UL 94 V-2 (RMS-109) AVAILABLE
 BY SPECIAL ORDER ONLY.
 TO ORDER REPLACE "-01" WITH "-109"
 2. COLOR: NATURAL.

TITLE: "HALF-U" ROUTING CLIP W/ BLIND HOLE FIX				UNITS IN [MM]	QR
CREATED USING SOLIDWORKS	FILE #: HURCBH	DWN: D.Z.	APP: D.Z.	FINAL	
TOLERANCES UNLESS NOTED .XX=±.010 .XXX=±.005 FRAC.=±1/64 ANG.=±1°	SHEET: 1 OF 1	SHEET SIZE: A	DT: JAN/03/2011	CHKD: S.K.	PART #
RE: RICHCO, INC.	RICHCO, INC. ENG@RICHCO-INC.COM (773) 539-4060		SEE TABLE		PRINT TYPE CA

A	RELEASED FOR PRODUCTION	SK 01/12/2011
REV.	DESCRIPTION	ENGR. DATE