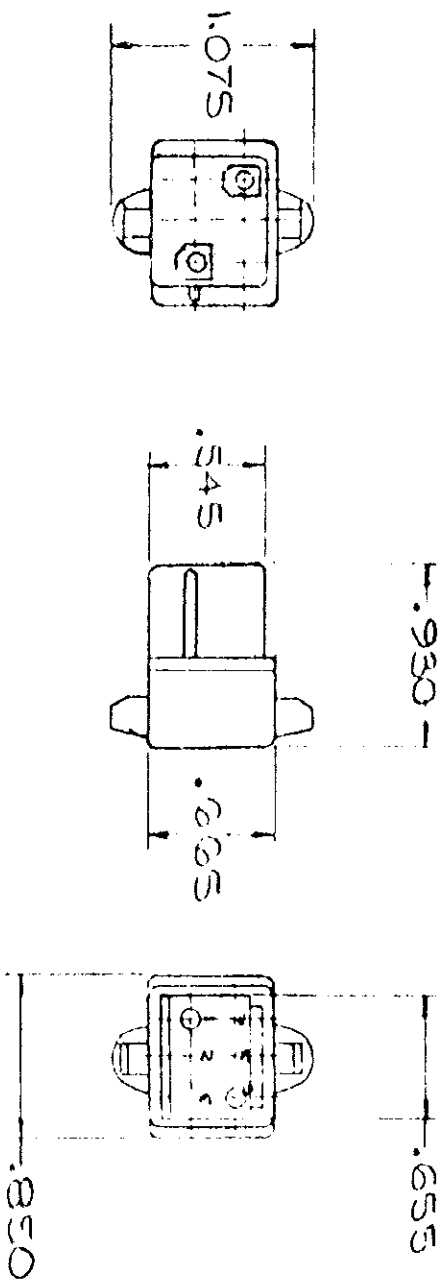


NUMBER
480693

1. TO BE USED WITH MATE-N-LOK DUAL LANCE PINS.
2. MATES WITH PLUG 480690

HOUSING NO.	COLOR
1480693-0	NATURAL

DIMENSIONS IN INCHES. DO NOT SCALE PRINT.

PRINT 53	REVISION RECORD				DATE	BY	ECN	DR ECN	DATE
4	RESTORED				8-8-85	RS	RS	RS	7/21/85
B	OBSOLETE D-1/1-9 PER CN-473								
A1	RESTORED								
LTR	REVISION RECORD				DATE	BY	ECN	DR ECN	DATE
DR	1-11-73								
CHK	1-11-73								
APR	1-11-73								

©1972 BY AMP INCORPORATED. ALL RIGHTS RESERVED. AMP PRODUCTS COVERED BY PATENTS AND/OR PATENTS PENDING.

MATERIAL: NYLON

WIRE — RANGE — INSULATION

TOLERANCE EXCEPT AS NOTED ± .015

SCALE 1-1

LOC CM A

NO 480693

REV B

AMP INCORPORATED
HARRISBURG, PENNA.

CUSTOMER COPY
REFERENCE ONLY

CLASS: 084 PIN HOUSINGS

TYPE: PANEL MOUNT

NAME: CIRCUIT MATE-N-LOK CAP