

MATERIALS AND FINISHES

BODY FRONT, CAP, JAM NUT: BRASS
PLATED NICKEL

BODY REAR: BRASS
PLATED TIN

CONTACT: BRASS
PLATED GOLD

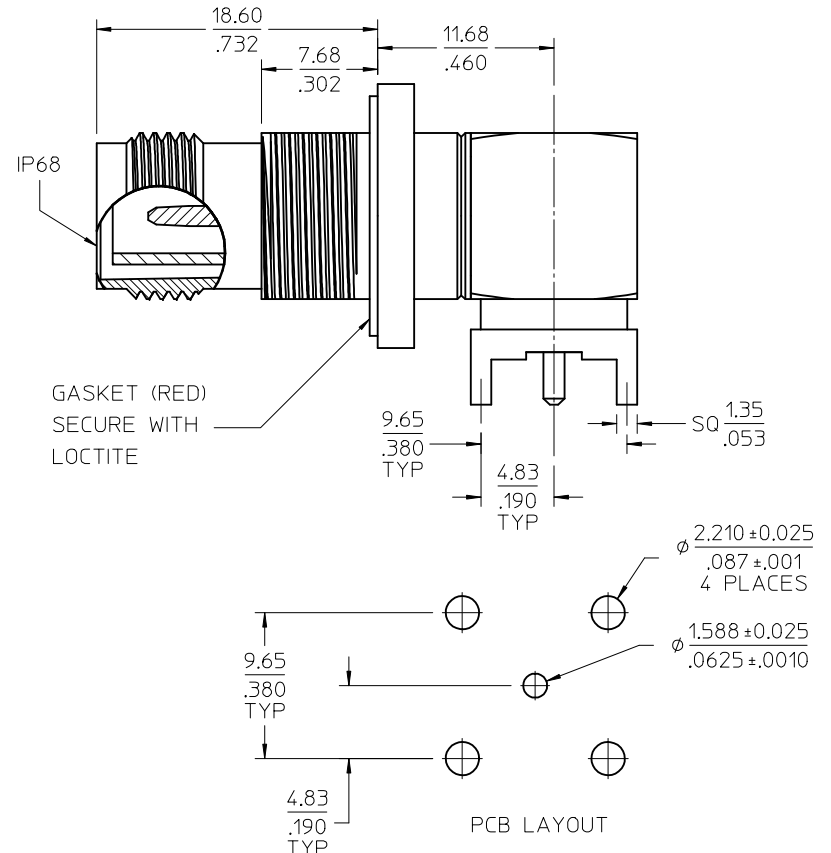
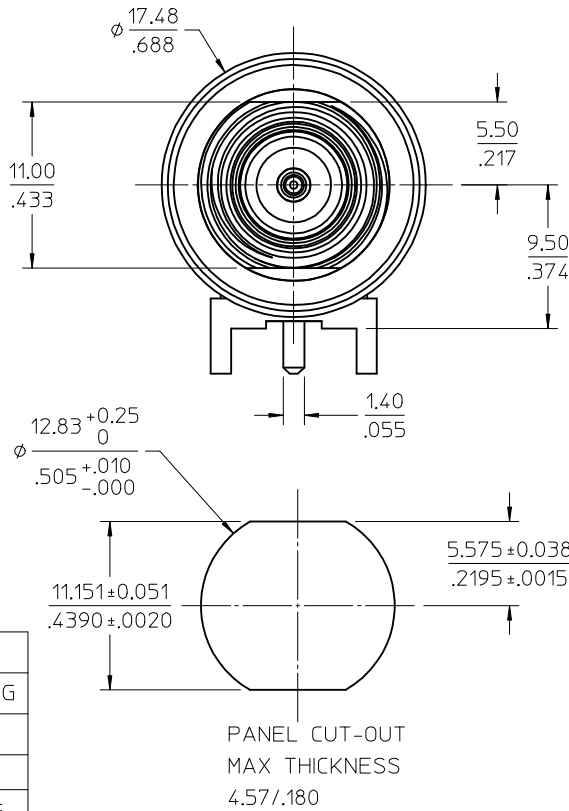
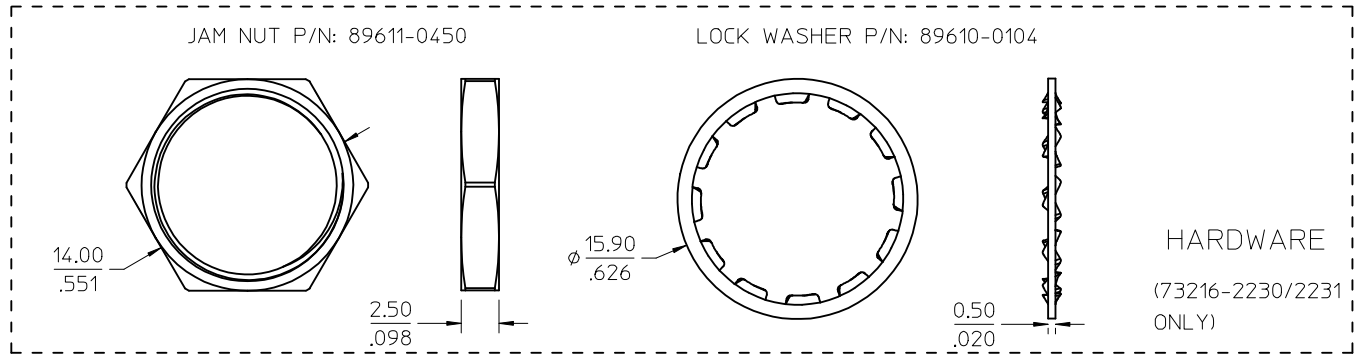
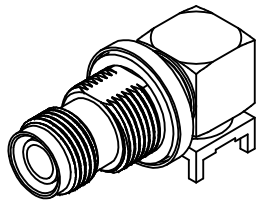
INSULATOR: TEFLON

GASKET: SILICONE RUBBER

LOCK WASHER: PHOSPHOR BRONZE
PLATED NICKEL

ELECTRICAL PERFORMANCE:

1.30 VSWR MAX THROUGH 6 GHz
0.25 dB MAX INSERTION LOSS THRU 6 GHz



73216-2232	TRAY	N/A
73216-2231	ONE PER BAG	LOOSE IN BAG
73216-2230	TRAY	BULK
PART NO.	PACKAGING	HARDWARE
		PACKAGING

CHG: ADDED -2232, ADDED PN FOR NUT & WASHER PER RF16-E096	EC NO: URF2016-0867	2016/06/24
	DRW: WME102	2016/06/24
CHKD:		
APPR: YCHENG		2016/07/04
REV	B4	

QUALITY SYMBOLS	▽=0
	▽=0

GENERAL TOLERANCES (UNLESS SPECIFIED)	
4 PLACES ±	---
3 PLACES ±	---
2 PLACES ±	---
1 PLACE ±	---
ANGULAR ± 2°	
DRAFT WHERE APPLICABLE MUST REMAIN WITHIN DIMENSIONS	

DIMENSION STYLE	
MM/IN	
DRAWN BY	DATE
AZR	2009/07/23
CHECKED BY	DATE
SSS	2009/07/23
APPROVED BY	DATE
JWIENER	2010/04/22
MATERIAL NO.	
SEE TABLE	
SIZE	C

SCALE	DESIGN UNITS	THIRD ANGLE PROJECTION
	METRIC	
TITLE		
TNC JACK REV POL		
RA BLKHD IP68 PCB TH		
TNC-J/PCB, EWR-4150		
MOLEX INCORPORATED		
MATERIAL NO.	DOCUMENT NO.	SHEET NO.
SD-73216-223		1 OF 1
THIS DRAWING CONTAINS INFORMATION THAT IS PROPRIETARY TO MOLEX INCORPORATED AND SHOULD NOT BE USED WITHOUT WRITTEN PERMISSION		