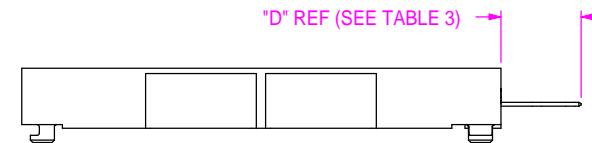
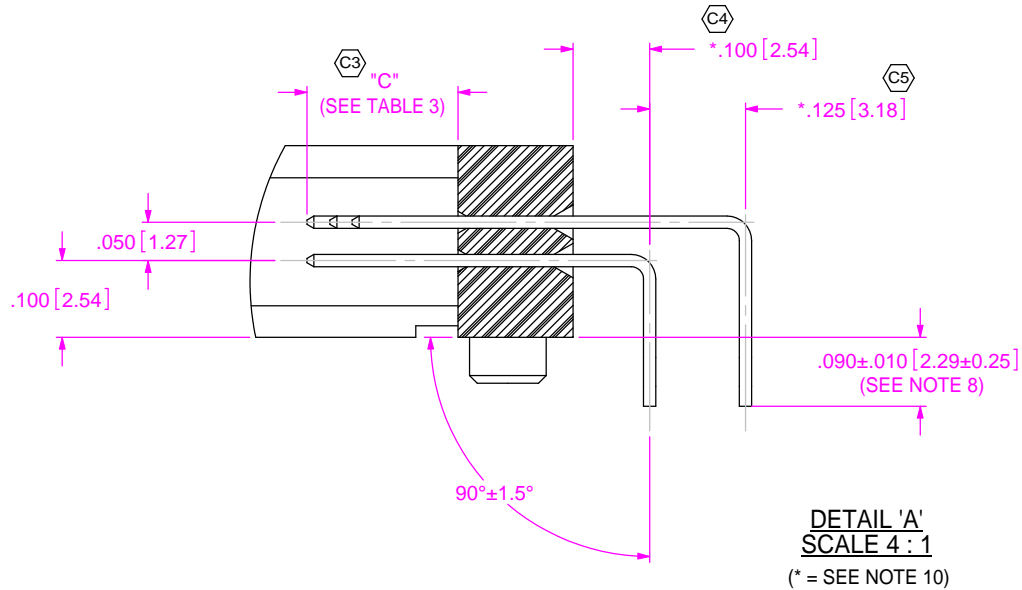
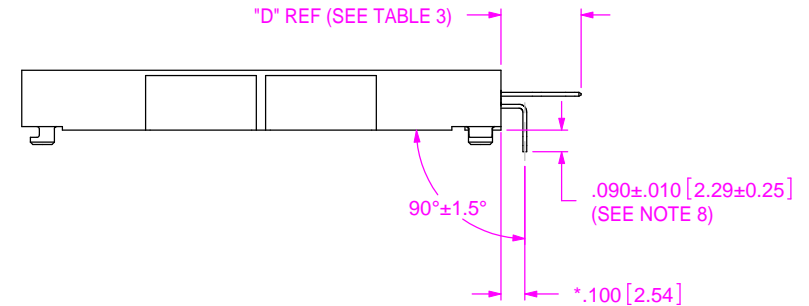


POST OPTION	POSITION	"C"	"D"
HOT PLUGGABLE	25, 26	.138 [3.50]	.662 [16.81]
	01, 13, 38, 50	.197 [5.00]	.603 [15.32]
	ALL OTHERS	.167 [4.24]	.633 [16.84]
-SD (SEE NOTE 6)	ALL	.120 [3.05]	.680 [17.27]

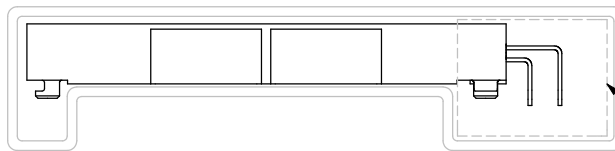


IN-PROCESS 1

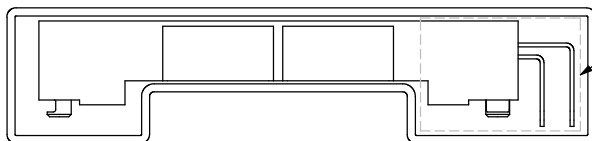


IN-PROCESS 2
(* = SEE NOTE 10)

PACKAGING VIEWS



(CFT-XX-D-S-02-SL SHOWN)



(CFT-XX-D-E-02-SL SHOWN)

PLUGS TO BE INSERTED INTO THIS AREA.

HEIGHT	CARD LENGTH	TUBE	PLUG
-S	-01	PT-1-24-01-81	TP-28
-S	-02	PT-1-24-02-81	TP-28
-E	-01	PT-1-24-05-81	TP-28
-E	-02	PT-1-24-06-81	TP-28

PROPRIETARY NOTE

THIS DOCUMENT CONTAINS INFORMATION CONFIDENTIAL AND PROPRIETARY TO SAMTEC, INC. AND SHALL NOT BE REPRODUCED OR TRANSFERRED TO OTHER DOCUMENTS OR DISCLOSED TO OTHERS OR USED FOR ANY PURPOSE OTHER THAN THAT WHICH IT WAS OBTAINED WITHOUT THE EXPRESSED WRITTEN CONSENT OF SAMTEC, INC.

DO NOT SCALE DRAWING

SHEET SCALE: 1:0.833333



520 PARK EAST BLVD, NEW ALBANY, IN 47150
PHONE: 812-944-6733 FAX: 812-948-5047
e-Mail: info@SAMTEC.com code: 55322

DESCRIPTION:
.050 [1.27] C.L. CARD GUIDE ASSEMBLY
DWG. NO.
CFT-1XX-XX-XX-D-RA-XX-SL-XX

BY: DEAN P 03/05/1999 SHEET 2 OF 2