

THIS DRAWING IS UNPUBLISHED.

RELEASED FOR PUBLICATION

,2005.

© COPYRIGHT 2005 By -

ALL RIGHTS RESERVED.

LOC	DIST	REVISIONS					
J		P	LTR	DESCRIPTION	DATE	DWN	APVD
		B2		REVISED (ECR-13-001920)	03JUL2013	B.W	V.P

NOTES: CONNECTOR

△ MATERIAL:

HOUSING: THERMOPLASTIC HIGH TEMP., UL94V-0,
COLOR: BLACK.

CONTACT: PHOSPHOR BRONZE

PIN: BRASS

TRAY: PS 0.8t (COLOR, WHITE)

△ FINISH:

CONTACT: GOLD PLATING ON CONTACT AREA
TIN MATTE PLATING ON SOLDER TAILS
NICKEL UNDERPLATED OVER ALL

PIN: TIN MATTE PLATING OVER ALL

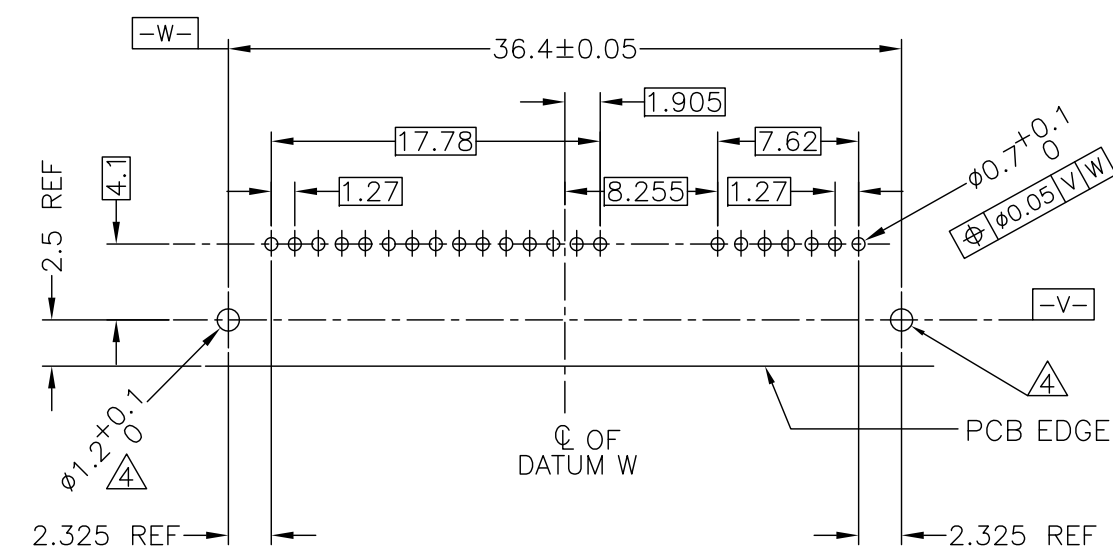
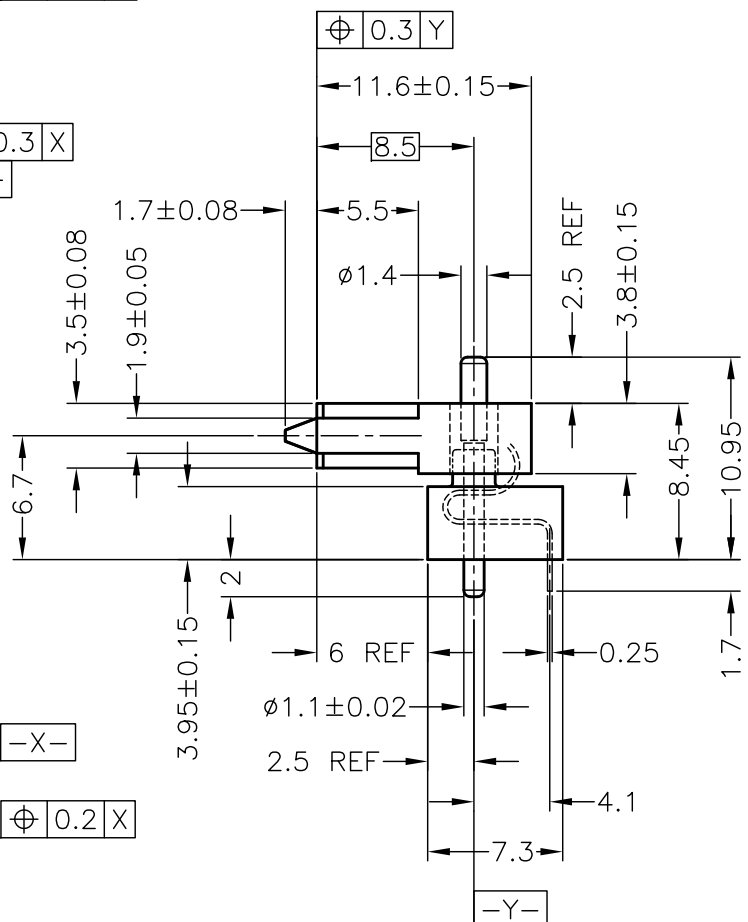
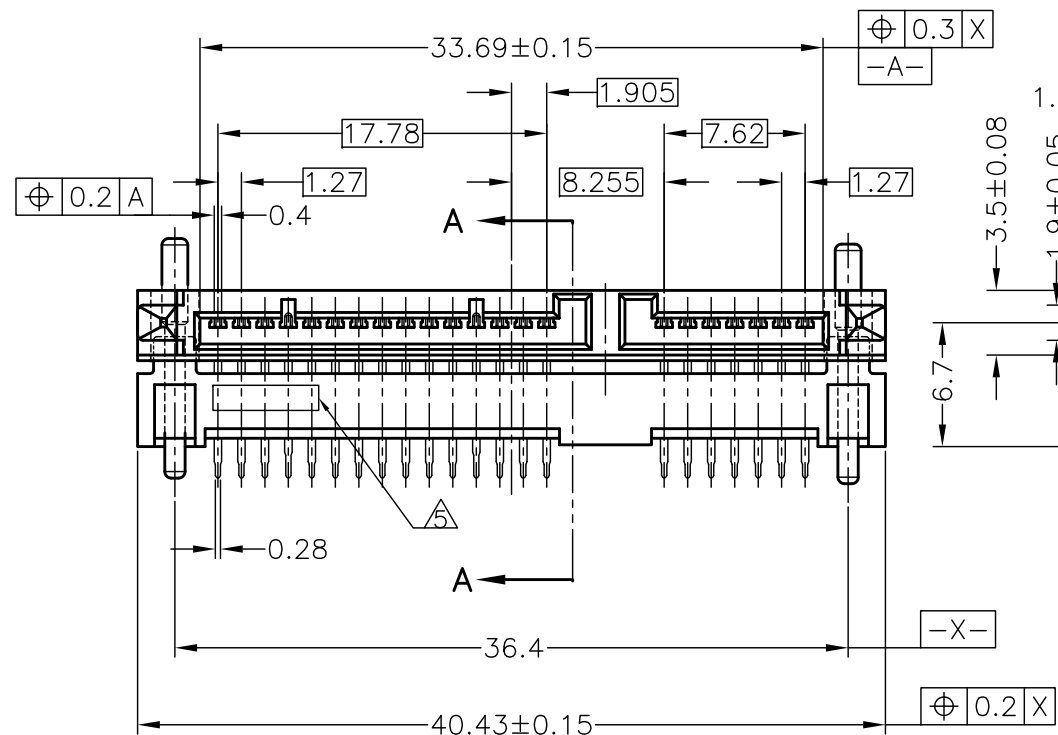
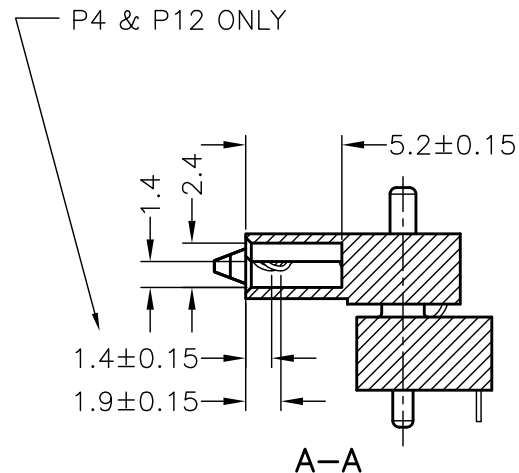
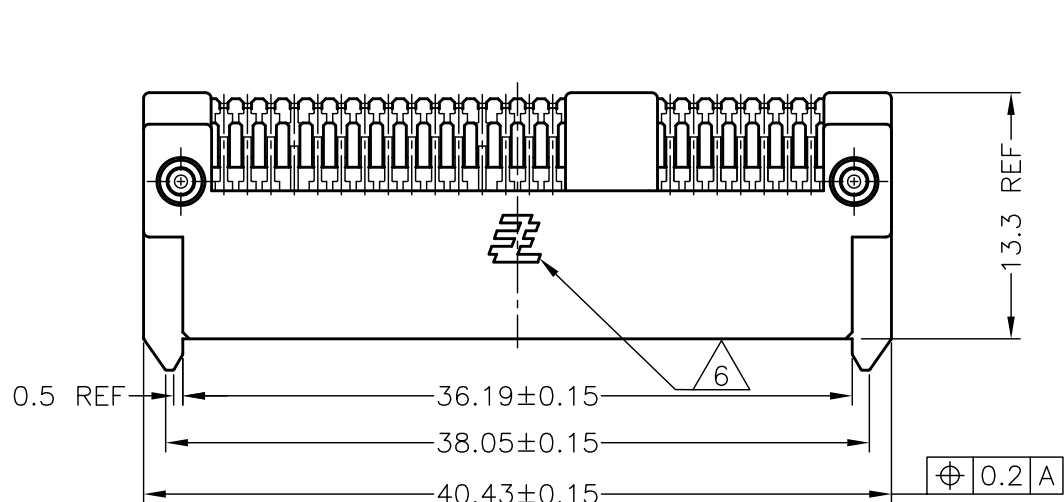
NICKEL UNDERPLATED OVER ALL

3. QTY: 30 PRODUCTS / TRAY


△ PIN MUST BE SOLDERED WITH PCB.

△ DATE CODE AND ASSY MACHINE ID

△ TE LOGO MUST BE CLEAR AND LEGIBLE. TE
CONNECTIVITY P/N 15994-1



RECOMMEND PCB LAYOUT
RECOMMEND PCB THICKNESS t=1.2

THIS DRAWING IS A CONTROLLED DOCUMENT.		DWN	M.UMEHARA	27APR05		TE Connectivity		
DIMENSIONS: 單位: 耗 mm		CHK	A.KUBO	27APR05		NAME 名稱		
TOLERANCES UNLESS OTHERWISE SPECIFIED: 一般公差		APVD	Y.YAMAMOTO	27APR05	REC ASSY A-FREE S-ATA H6.7			
0 PLC ± 0.2		PRODUCT SPEC 製品規格		SIZE		CAGE CODE	DRAWING NO 番号	RESTRICTED TO
1 PLC ± 0.2		APPLICATION SPEC 取付適用規格		A3		00779	1827944	
2 PLC ± 0.2		MATERIAL 材料		WEIGHT		SCALE 尺度		SHEET
3 PLC ± 0.2		FINISH 仕上		CUSTOMER DRAWING		NTS		1 OF 2
4 PLC ± 0.2		MATERIAL 材料		CUSTOMER DRAWING		SCALE 尺度		REV
ANGLES ± 3'		MATERIAL 材料		CUSTOMER DRAWING		SCALE 尺度		B2

4

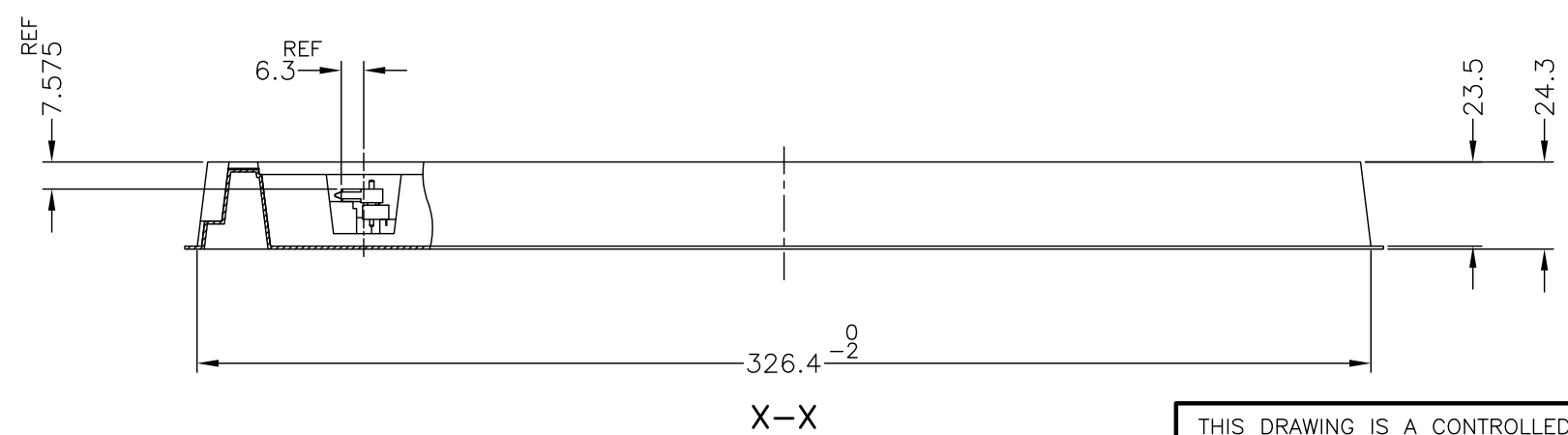
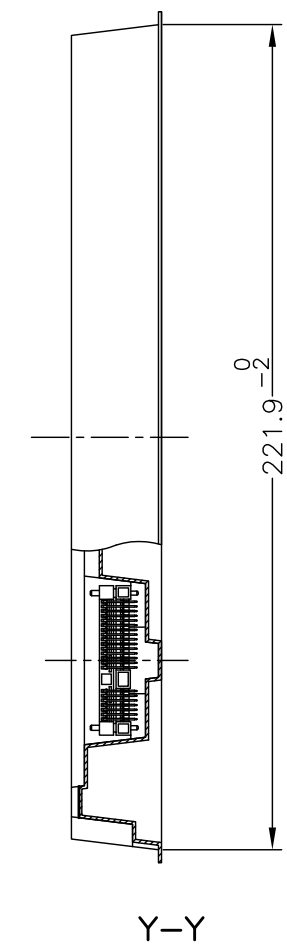
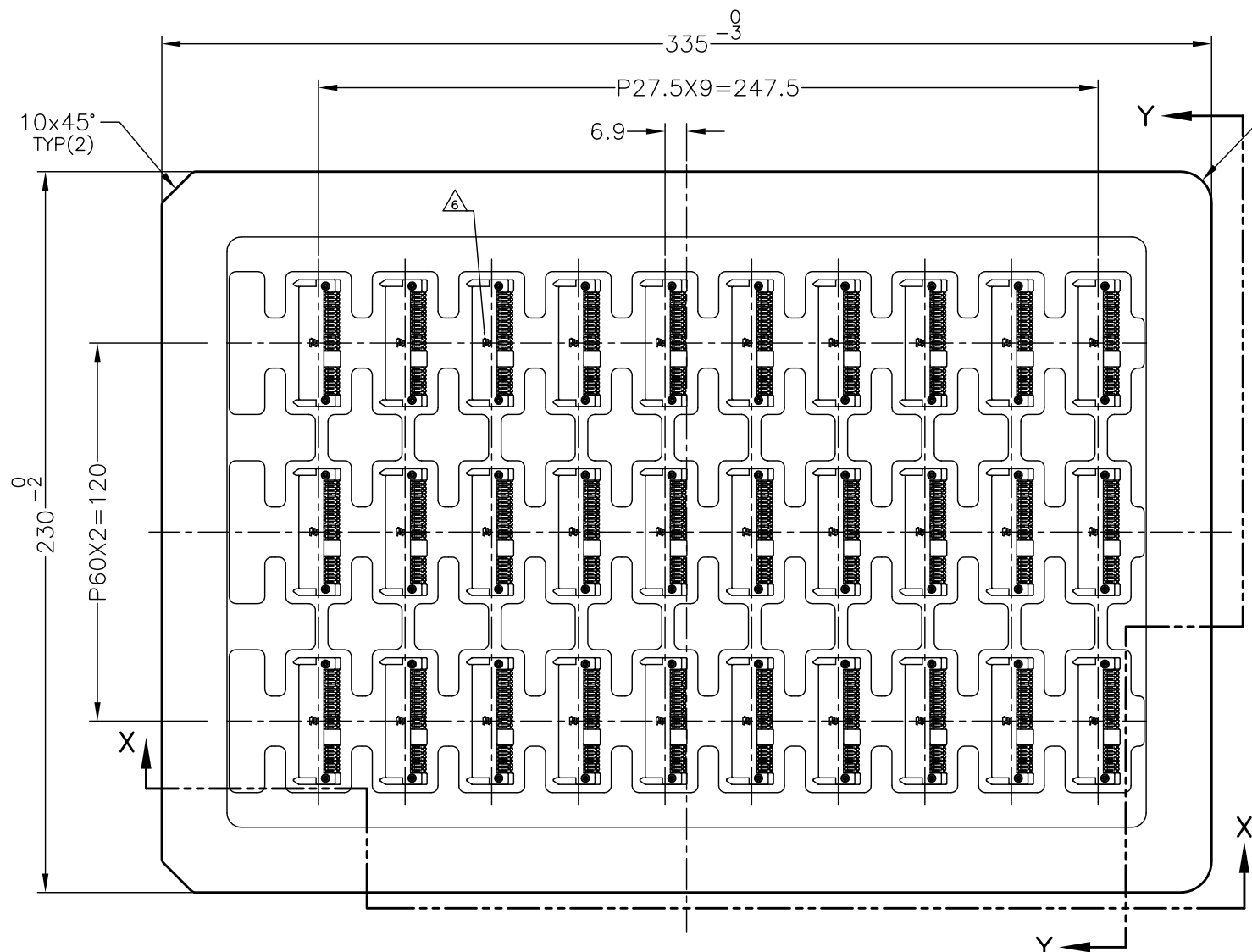
3

2

1

THIS DRAWING IS UNPUBLISHED. RELEASED FOR PUBLICATION ,2005.
 ALL RIGHTS RESERVED.

LOC	DIST	REVISIONS			DATE	DWN	APVD
J		P	LTR	変更 DESCRIPTION			
		-		SEE SHEET 1	-	-	-



OBSOLETE

AS SHOWN: 1827944-1

THIS DRAWING IS A CONTROLLED DOCUMENT.		DWN		TE Connectivity	
DIMENSIONS: 単位: 耗 mm		CHK			
TOLERANCES UNLESS OTHERWISE SPECIFIED: 一般公差		APVD		NAME 名称	
0 PLC ± 1 PLC ± 2 PLC ± ±1.0 3 PLC ± 4 PLC ± ANGLES ±		PRODUCT SPEC 製品規格		REC ASSY A-FREE S-ATA H6.7	
MATERIAL 材料		FINISH 仕上		APPLICATION SPEC 取付適用規格	
		WEIGHT		SIZE CAGE CODE DRAWING NO 番号 A3 00779 1827944	
		CUSTOMER DRAWING		RESTRICTED TO	
		SCALE 尺度 1:2		SHEET 2 OF 2 REV B2	