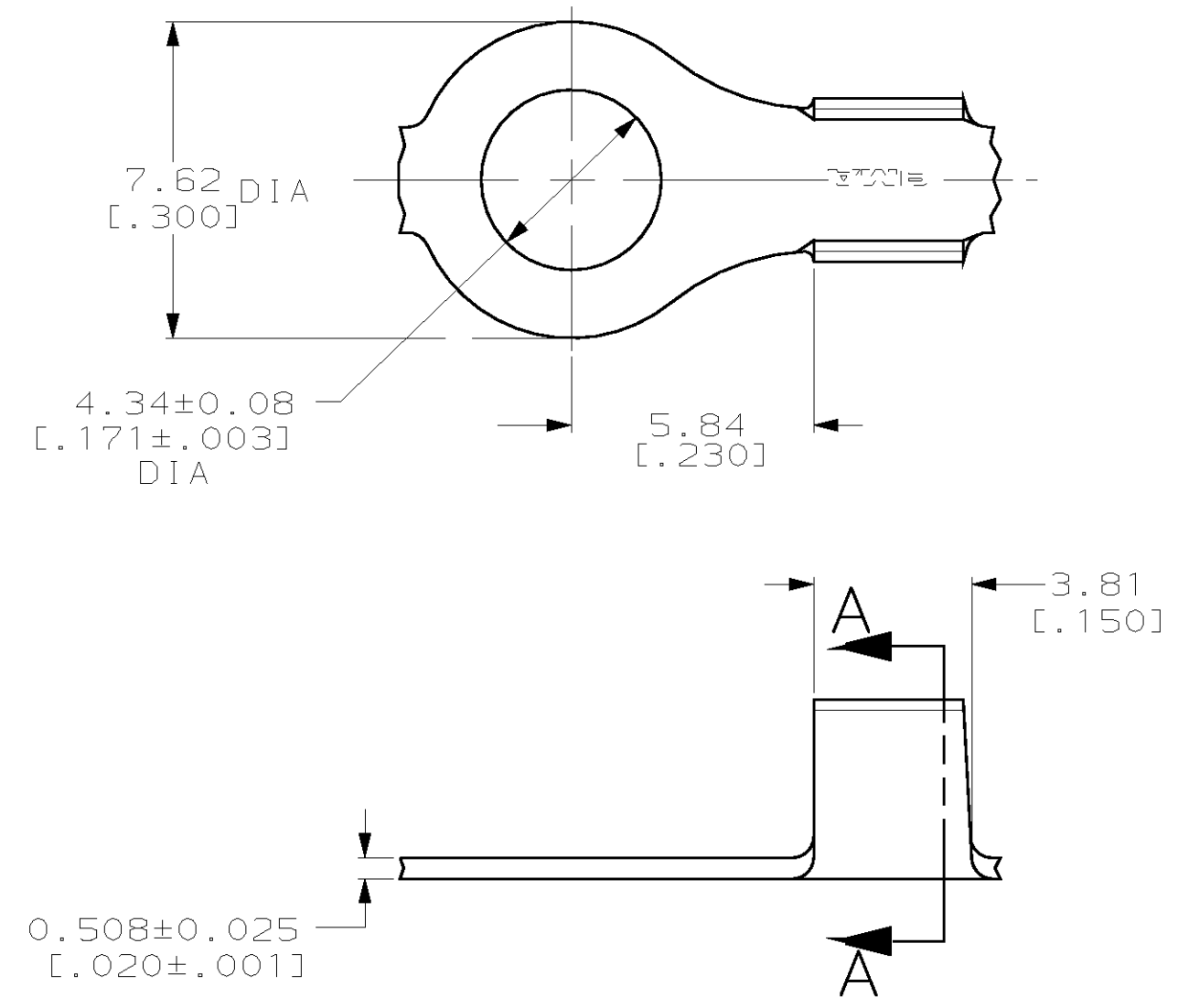
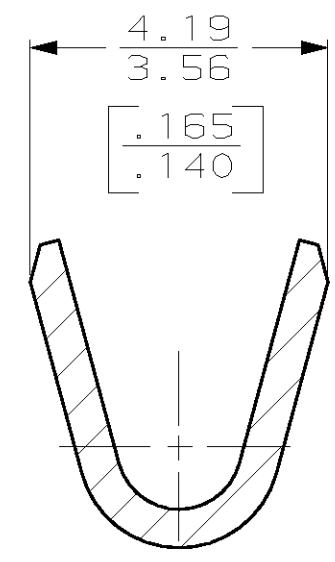


THIS DRAWING IS UNPUBLISHED. RELEASED FOR PUBLICATION ,19 .
 © COPYRIGHT 19 BY AMP INCORPORATED. ALL RIGHTS RESERVED.

LOC		DIST		REVISIONS			
P	LTR	DESCRIPTION	DATE	DWN	APVD		
AF	50	E	REVISED PER 0G3A-0271-02	19AUG02	MF DD		



1 CONTINUOUS STRIP ON REEL.



SECTION A-A
SCALE 10:1

[18-14] AWG	41346	
WIRE RANGE	PART NUMBER	
AMP Incorporated Harrisburg, PA 17105-3608		
NAME		
TERMINAL, RING		
SIZE	CAGE CODE	DRAWING NO
A3	00779	C-41346
CUSTOMER DRAWING		SCALE 6:1 SHEET 1 OF 1 REV E

THIS DRAWING IS A CONTROLLED DOCUMENT.		DWN 02/AUG/96 PHILLIP M FORTNEY
DIMENSIONS: mm [inches]		CHK 02/AUG/96 JEFF R RUTH
TOLERANCES UNLESS OTHERWISE SPECIFIED:		APVD 02/AUG/96 GARY YETTER
0 PLC	±-	PRODUCT SPEC
1 PLC	±-	-
2 PLC	±0.25 [0.010]	APPLICATION SPEC
3 PLC	±-	-
4 PLC	±-	WEIGHT
ANGLES	±-	-
MATERIAL T3 STEEL	FINISH NICKEL	CUSTOMER DRAWING