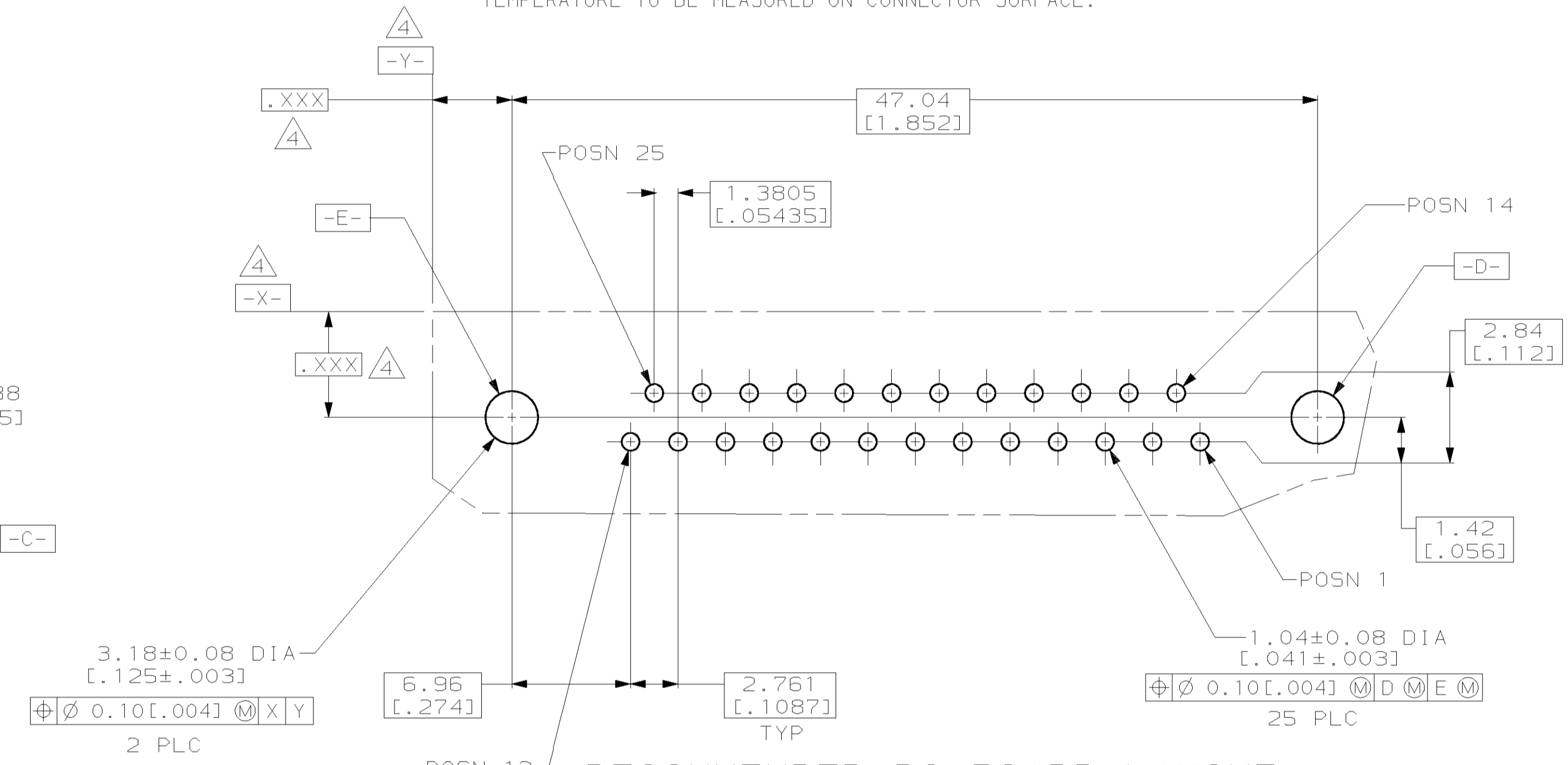
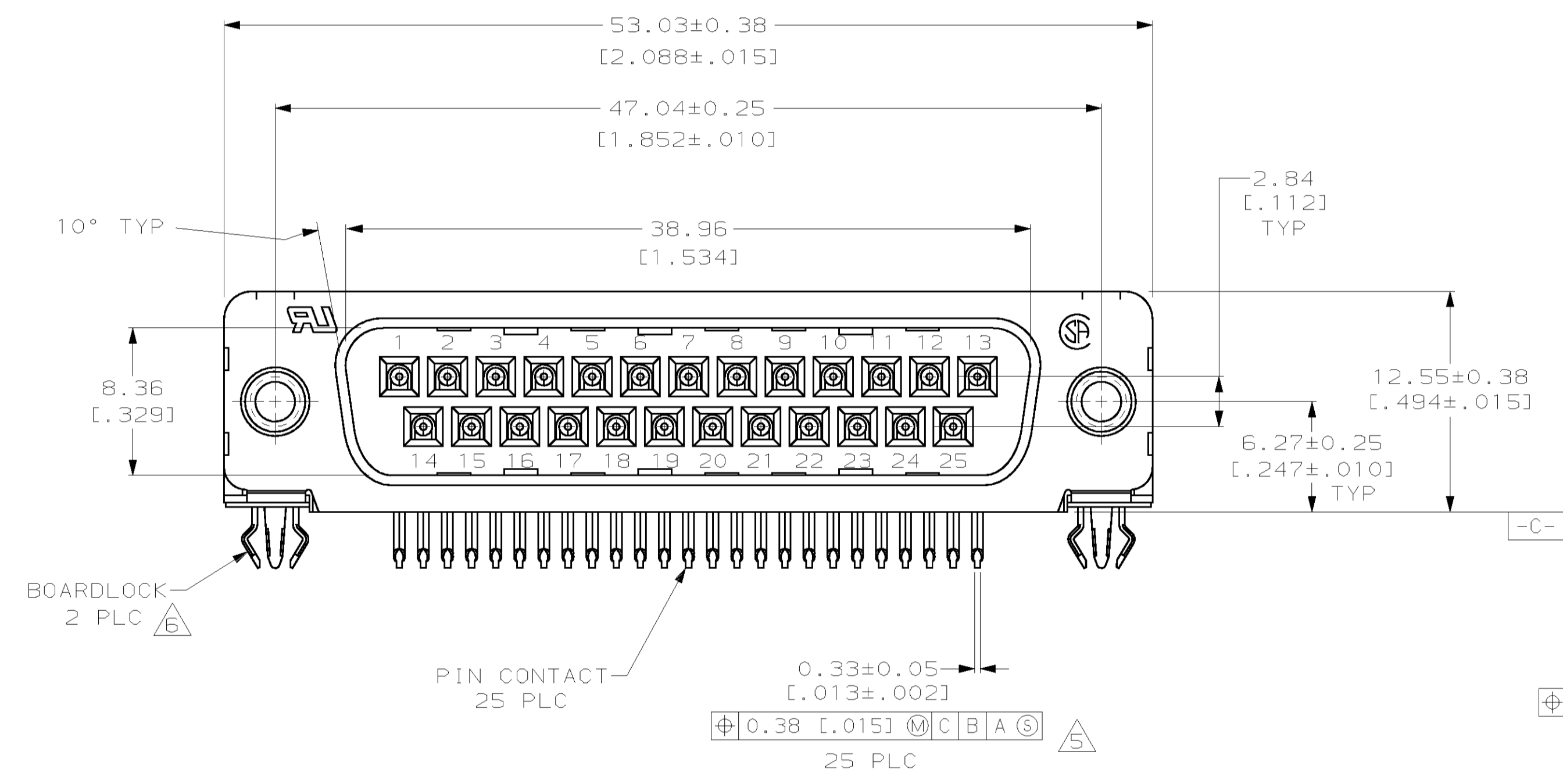
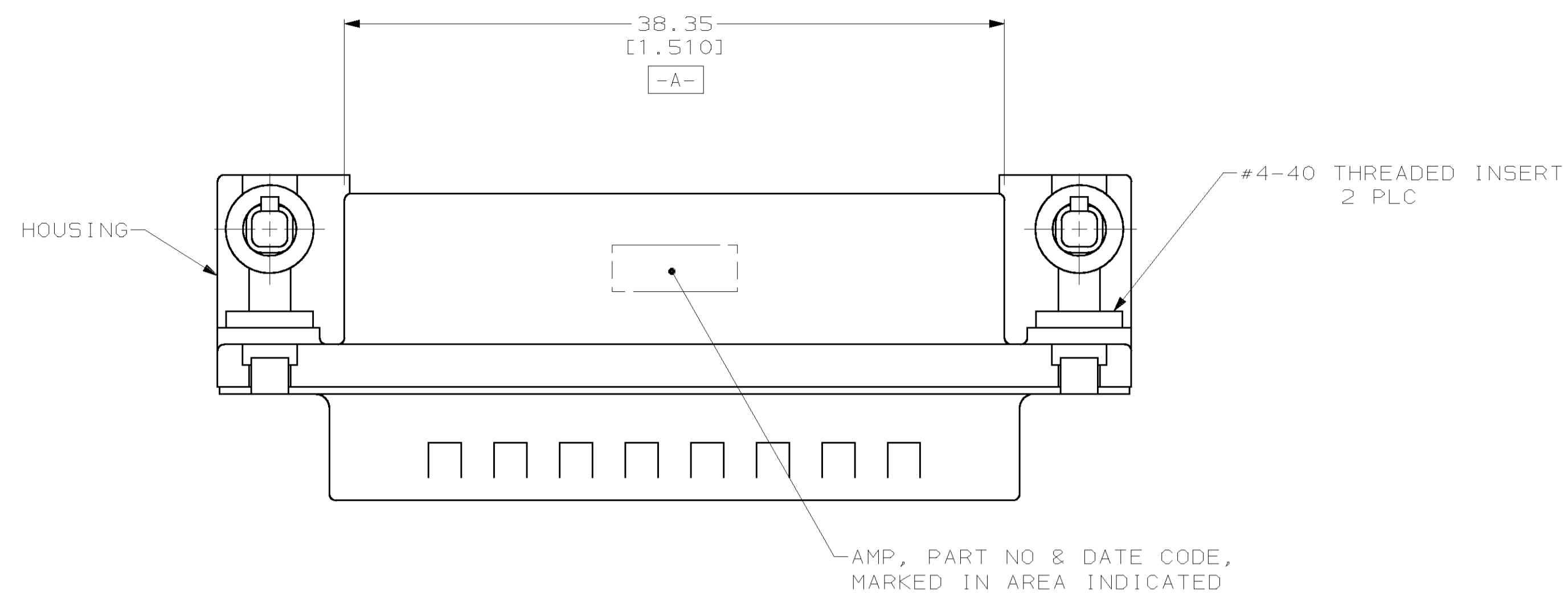
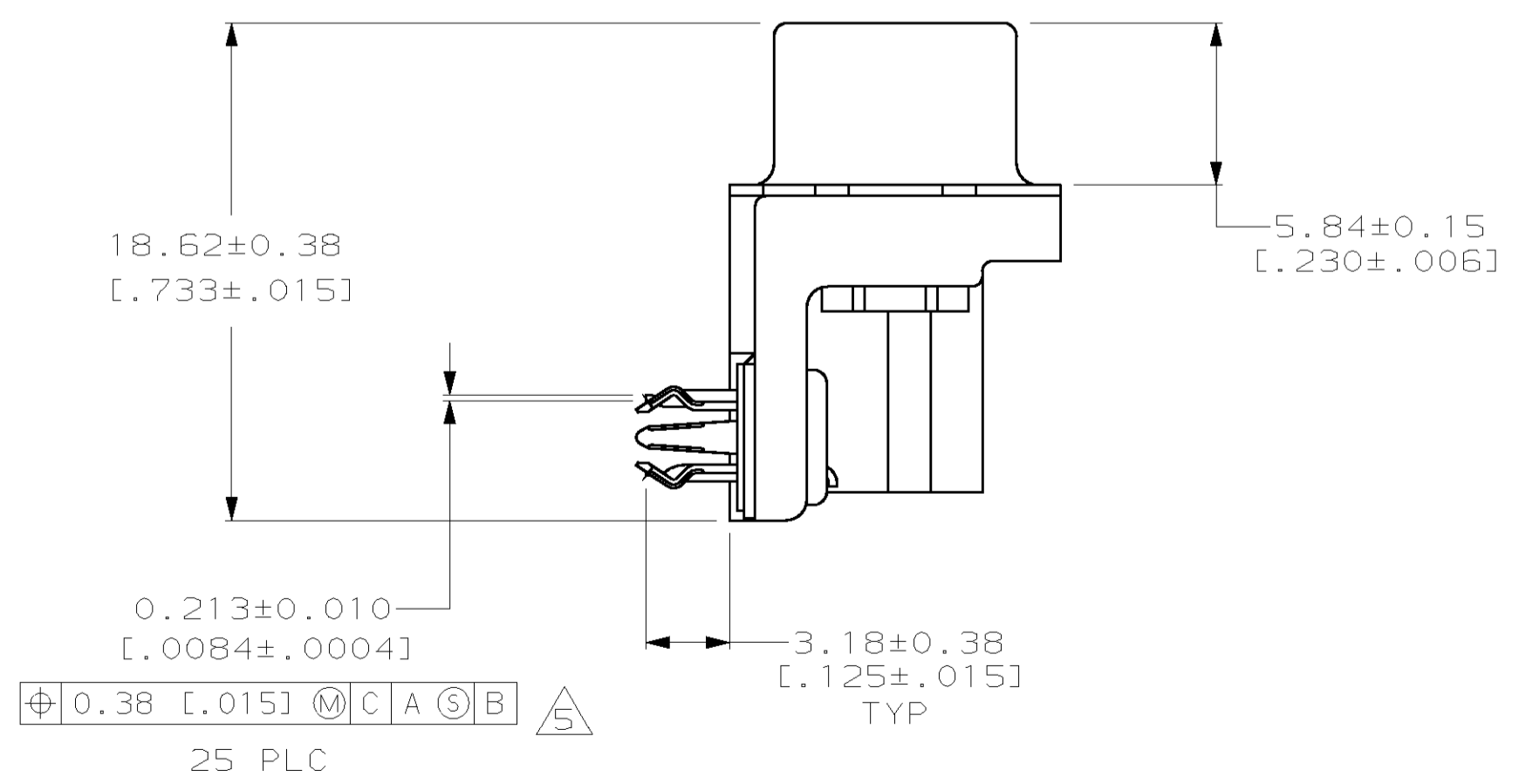
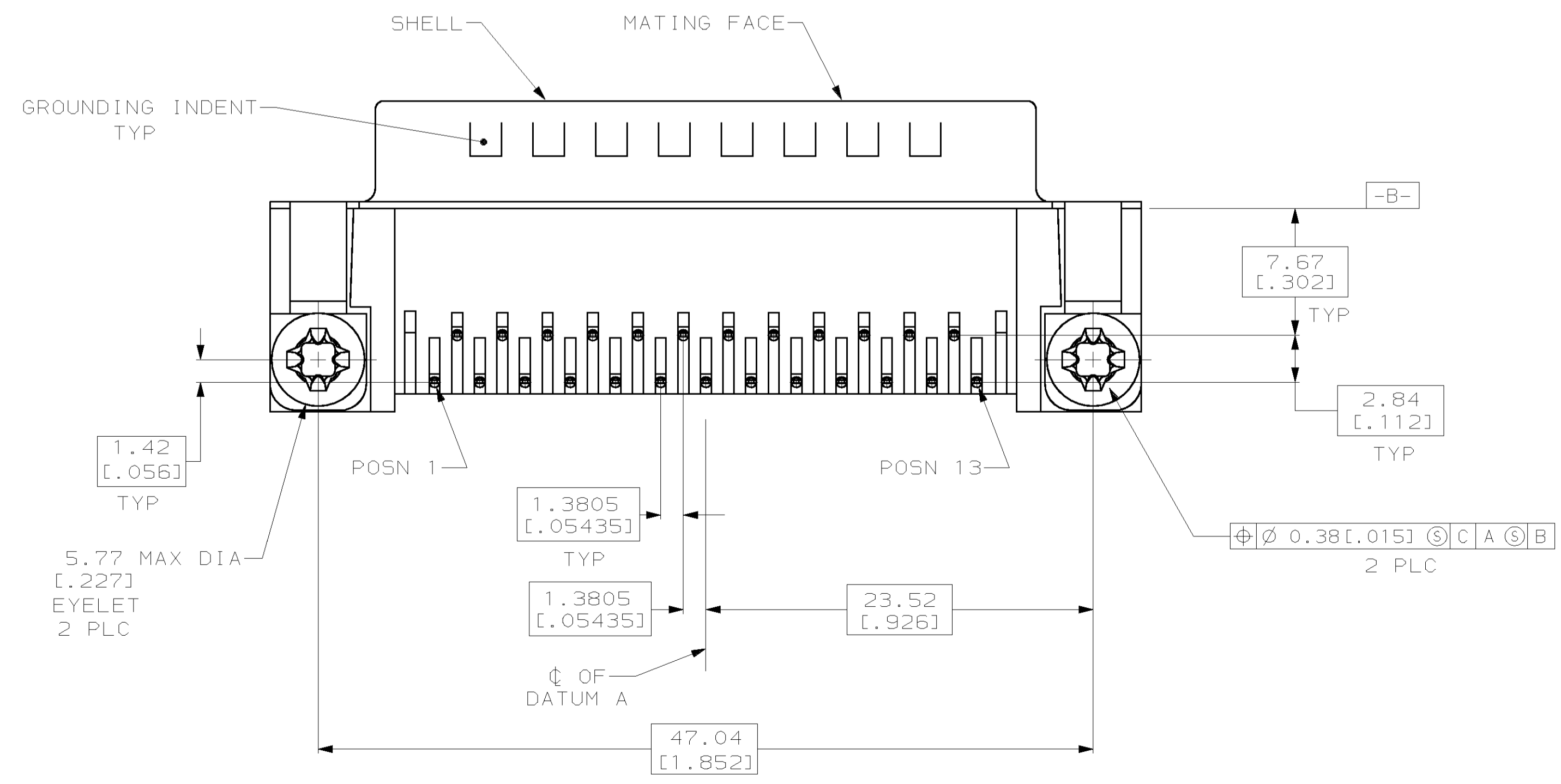


LOC	DIST	REVISIONS			
F	CHR	DESCRIPTION	DATE	ENR	APVD
0	RLSE -1 & -2	PER NPR 221	02 MAR 00	DB	JK

- ① HOUSING: NYLON, THERMOPLASTIC, UL 94V0 RATED, BLACK; SHELL: CARBON STEEL PER ASTM A109; PIN CONTACTS: BRASS PER MIL-C-50; EYELETS: BRASS; THREADED INSERTS: ZINC; BOARDLOCKS: COPPER ALLOY.
  - ② PIN CONTACTS: GOLD PLATED FOR A LENGTH OF 3.81 [1.50] MIN FROM MATING END, 0.76μm [0.00030] MIN GOLD IN MATED AREA, 2.54μm [0.00100] MIN TIN OR TIN-LEAD FOR A LENGTH OF 3.56 [1.40] MIN FROM OPPOSITE END, BOTH OVER 1.27μm [0.00050] MIN NICKEL.  
EYELETS: 2.54μm [0.00100] MIN TIN-LEAD OR TIN OVER COPPER FLASH.  
SHELL: 2.54μm [0.00100] MIN TIN OVER 1.27μm [0.00050] MIN COPPER.  
THREADED INSERTS: CLEAR CHROMATE.  
BOARDLOCKS: 3.81μm [0.00150] MIN TIN-LEAD OVER 1.27μm [0.00050] MIN NICKEL.
  - ③ PIN CONTACTS: GOLD PLATED FOR A LENGTH OF 3.81 [1.50] MIN FROM MATING END, GOLD FLASH IN MATED AREA, 2.54μm [0.00100] MIN TIN OR TIN-LEAD FOR A LENGTH OF 3.56 [1.40] MIN FROM OPPOSITE END, BOTH OVER 1.27μm [0.00050] MIN NICKEL.  
EYELETS: 2.54μm [0.00100] MIN TIN-LEAD OR TIN OVER COPPER FLASH.  
SHELL: 2.54μm [0.00100] MIN TIN OVER 1.27μm [0.00050] MIN COPPER.  
THREADED INSERTS: CLEAR CHROMATE.  
BOARDLOCKS: 3.81μm [0.00150] MIN TIN-LEAD OVER 1.27μm [0.00050] MIN NICKEL.
  - ④ DATUMS AND BASIC DIMENSIONS ESTABLISHED BY CUSTOMER.
  - ⑤ POSITION TOLERANCE APPLIES AT CONTACT TIP.
  - ⑥ BOARDLOCKS WILL ACCEPT .062 MAX PRINTED CIRCUIT BOARD THICKNESS.
7. COMPATIBLE WITH TYPICAL HIGH TEMPERATURE SOLDERING APPLICATIONS TO A MAXIMUM OF 225°C FOR A MAXIMUM DURATION OF 90 SECONDS. TEMPERATURE TO BE MEASURED ON CONNECTOR SURFACE.



RECOMMENDED PC BOARD LAYOUT  
 1.57 [1.062] PC BOARD THICKNESS



①	788794-2
②	788794-1
FINISH	PART NO

THIS DRAWING IS A CONTROLLED DOCUMENT AND IS UNPUBLISHED. IT IS SUBJECT TO CHANGE AND THE CONTROLLING ENGINEERING ORGANIZATION SHALL BE CONTACTED FOR THE LATEST REVISION.		DWG: D. BROCKWAY 02 MAR 00 CHK: J. KOPPENHEFFER 03 MAR 00 APVD: J. KOPPENHEFFER 03 MAR 00	AMP Incorporated Harrisburg, PA 17105-3608
DIMENSIONS: mm (INCHES)	TOLERANCES UNLESS OTHERWISE SPECIFIED: 0 PLC ± 1 PLC ± 2 PLC ±0.13 (1.005) 3 PLC ± 4 PLC ± DIMENSIONS 12"	PRODUCT SPEC: 108-40025 APPLICATION SPEC: 114-40010 WEIGHT: - CUSTOMER DRAWING	AMP Incorporated PLUG ASSEMBLY, SIZE 3, 318 SERIES, WITH FRONT METAL SHELL, HIGH TEMPERATURE, AMPLIMIT™ HD 20 NOT THE LATEST REVISION A1 00779 SHEET 1 OF 1