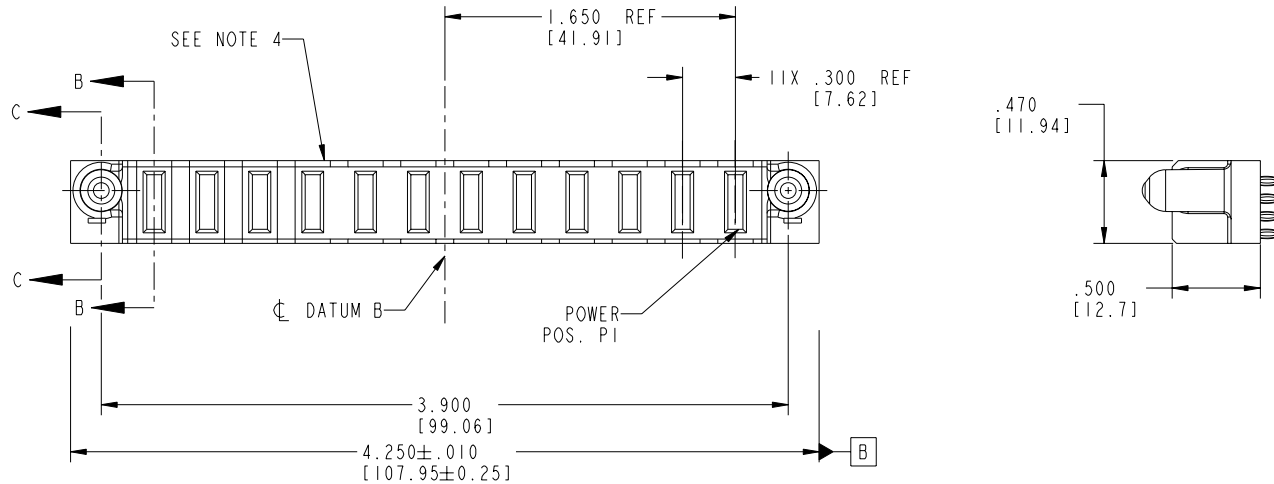


Tous droits strictement réservés. Reproduction ou communication a des tiers interdite sous quelque forme que ce soit sans autorisation écrite du propriétaire. Propriété de c FCI. Droits de reproduction FCI.

All rights strictly reserved. Reproduction or issue to third parties in any form whatever is not permitted without written authority from the proprietor. Property of FCI. Copyright FCI.

PRODUCT NO.	POWER													E1
	E2	P12	P11	P10	P9	P8	P7	P6	P5	P4	P3	P2	P1	
51940-114-- NOTE:3		PC	PC	PC	PC	PC	PC	PC	PC	PC	PC	PC	PC	



CODE	DIM "M" MATING LENGTH	CONTACT TYPE
PC	.042 [1.07]	POWER

mat'l code				SEE NOTE 2		tolerances unless otherwise specified		CUSTOMER		 www.fciconnect.com	
ltr	ecn no.	dr	date	linear	.XX±.01/0.X±0.3	projection		COPY		title	
A	DG04-0102	SW	01/04/05		.XXX±.005/0.XX±0.13					12ACP	
B	DG05-0341	CS	09/20/05	angles	.XXX±.0020/0.XX±0.051			INCH/MM		VERTICAL PRESS-FIT RECEPT	
				dr	STEVEN WANG 01/04/05	scale		1:1		product family	
				enr	LH 01/04/05					PwrBlade	
				chr	VICTOR LIN 01/04/05					code	
				appd	JOSEPH HSIA 01/04/05					213	
sheet index	revision sheet	B	B	B	B					sheet	
		1	2	3	4					1 of 4	

cage code 22526 4

PDM: Rev:B

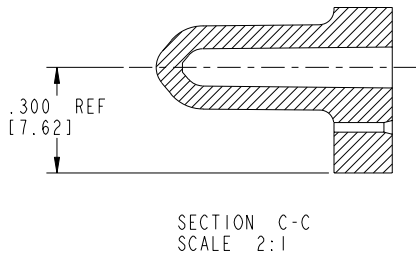
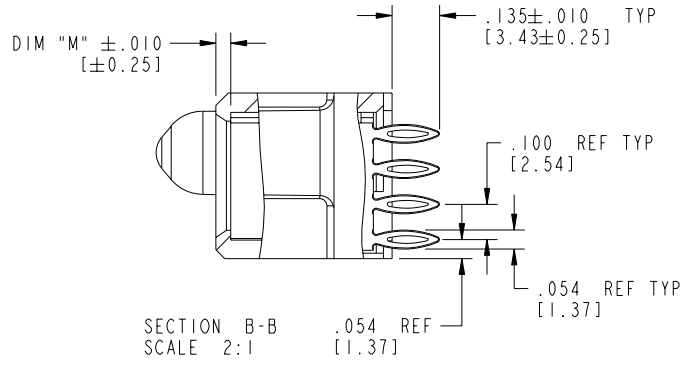
STATUS:Released

Printed: Sep 22, 2006

Tous droits strictement réservés. Reproduction ou communication a des tiers interdite sous quelque forme que ce soit sans autorisation écrite du propriétaire. Propriété de c FCI. Droits de reproduction FCI.

All rights strictly reserved. Reproduction or issue to third parties in any form whatever is not permitted without written authority from the proprietor. Property of FCI. Copyright FCI.

PRODUCT NUMBER  
51940-114\_\_  
NOITE:3



mat'l code				SEE NOTE 2				tolerances unless otherwise specified				CUSTOMER		 www.fciconnect.com	
ltr	ecn no.	dr	date	linear	.XX±.01/0.X±0.3			COPY		projection		title		12ACP	
A				angles	.XXX±.005/0.XX±0.13			INCH/MM				VERTICAL PRESS-FIT RECEIPT		product family	
				dr	.XXX±.0020/0.XX±0.051			scale		1:1		PwrBlade		code	
				enr	0°±2°			A		51940-114		213		sheet	
				chr	0°±2°							2 of 4			
				appd	dr STEVEN WANG 01/04/05										
					enr LH 01/04/05										
					chr VICTOR LIN 01/04/05										
					appd JOSEPH HSIA 01/04/05										
sheet index	revision sheet														

cage code 22526 4

Pro/E

PDM: Rev:B

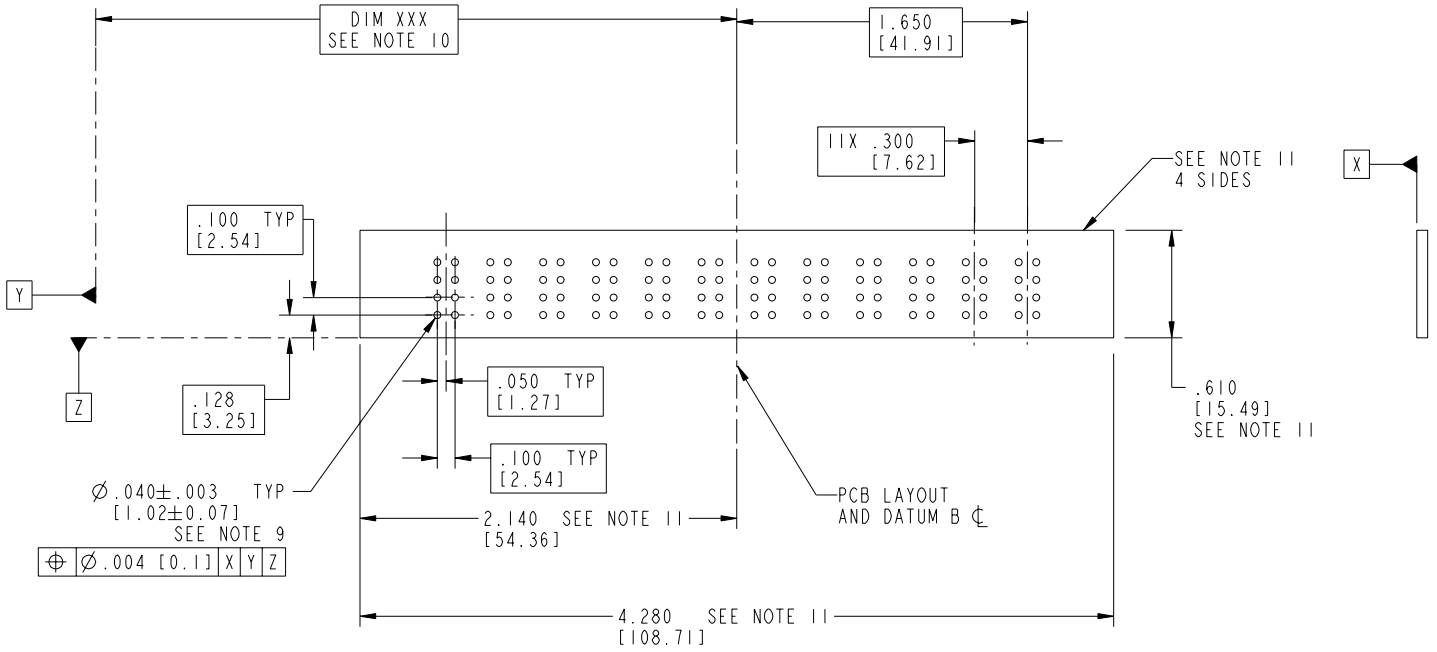
STATUS:Released

Printed: Sep 22, 2006

Tous droits strictement réservés. Reproduction ou communication à des tiers interdite sous quelque forme que ce soit sans autorisation écrite du propriétaire. Propriété de c FCI. Droits de reproduction FCI.

All rights strictly reserved. Reproduction or issue to third parties in any form whatever is not permitted without written authority from the proprietor. Property of FCI. Copyright FCI.

PRODUCT NUMBER  
51940-114\_\_  
NOITE:3



$\phi .040 \pm .003$  TYP  
[1.02 ± 0.07]  
SEE NOTE 9  
 $\phi .004$  [0.1] X Y Z

mat'l code		SEE NOTE 2		tolerances unless otherwise specified		CUSTOMER		 www.fciconnect.com	
ltr	ecn no.	dr	date	linear	.XX±.01/0.X±0.3	COPY		projection	title
A					.XXX±.005/0.XX±0.13				12ACP
				angles	.XXX±.0020/0.XXX±0.051				VERTICAL PRESS-FIT RECEPT
					0° ± 2°				product family
				dr	STEVEN WANG 01/04/05	INCH/MM			PwrBlade
				enr	LH 01/04/05	scale			code
				chr	VICTOR LIN 01/04/05	1:1			213
				appd	JOSEPH HSIA 01/04/05				sheet
									3 of 4
sheet index	revision sheet								

cage code 22526

Pro/E

PDM: Rev:B

STATUS:Released

Printed: Sep 22, 2006

Tous droits strictement réservés. Reproduction ou communication à des tiers interdite sous quelque forme que ce soit sans autorisation écrite du propriétaire. Propriété de c FCI. Droits de reproduction FCI.

**A**  
**FCI**

All rights strictly reserved. Reproduction or issue to third parties in any form whatever is not permitted without written authority from the proprietor. Property of FCI. Copyright FCI.

PRODUCT NUMBER  
51940-114\_\_  
NOITE:3

NOTES:

1. DIMENSIONS AND TOLERANCES ARE IN ACCORDANCE WITH ASME Y14.5M, 1994 UNLESS OTHERWISE SPECIFIED.

CONNECTOR NOTES:

② HOUSING MATERIAL: UL 94 V-0 GLASS FILLED  
HIGH-TEMP THERMOPLASTIC  
POWER CONTACT MATERIAL: COPPER ALLOY  
SIGNAL PIN MATERIAL: COPPER ALLOY

3. PLATING:

51940-114 Singal Pin:30u"/0.76um Au OVER 50u"/1.27um Ni ON THE CONTACT AREA,  
AND 100u"/2.54um SnPb PLATING OVER 50u"/1.27um Ni ON THE TERMINATION SECTION.  
Power Pin:30u"/0.76um Au OVER 50u"/1.27um Ni ON THE CONTACT AREA,  
AND 100u"/2.54um SnPb PLATING OVER 50u"/1.27um Ni ON THE TERMINATION SECTION.

51940-114LF Singal Pin:30u"/0.76um Au OVER 50u"/1.27um Ni ON THE CONTACT AREA,  
AND 78u"/2.00um Sn PLATING OVER 50u"/1.27um Ni ON THE TERMINATION SECTION.  
Power Pin:30u"/0.76um Au OVER 50u"/1.27um Ni ON THE CONTACT AREA,  
AND 78u"/2.00um Sn PLATING OVER 50u"/1.27um Ni ON THE TERMINATION SECTION.

PART NUMBER 51940--114LF MEETS EUROPEAN UNION DIRECTIVE AND OTHER COUNTRY REGULATIONS AS DESCRIBED IN GS-22-008.

THE HOUSING WILL WITHSTAND EXPOSURE TO 260° PEAK TEMPERATURE FOR 10 SECONDS IN A WAVE SOLDER APPLICATION WITH A CIRCUIT BOARD.

④ MANUFACTURER'S NAME, P/N, AND DATE CODE TO APPEAR ON THIS SURFACE.

5. PRODUCT SPECIFICATION GS-12-149.  
APPLICATION SPECIFICATION BUS-20-067.

6. PACKAGED IN TRAYS.

PCB NOTES:

7. ALL HOLE DIAMETERS ARE FINISHED HOLE SIZE.

⑧ MOUNTING HOLES, WHERE APPLICABLE, ARE UNPLATED.

⑨  $\varnothing .0453 \pm .0010$  [1.151 $\pm$ 0.025] DRILLED HOLES PLATED WITH  
.0003 [0.008] MIN SnPb OVER .001 [0.03]  
TO .003 [0.08] Cu PLATING TO ACHIEVE  
 $\varnothing .040 \pm .003$  [1.02 $\pm$ .07] HOLE.

⑩ "DIM XXX" TO BE DETERMINED BY THE CUSTOMER.

⑪ CONNECTOR KEEP-OUT ZONE.

mat'l code				SEE NOTE 2				tolerances unless otherwise specified				CUSTOMER				<b>A</b> <b>FCI</b> www.fciconnect.com			
ltr	ecn no.	dr	date	linear	.XX±.01/0.X±0.3			COPY				projection				title			
A					.XXX±.005/0.XX±0.13			INCH/MM				VERTICAL PRESS-FIT RECEPT				product family			
				angles	XXXX±.0020/0.XXX±0.051			scale				PwrBlade				code			
				dr	0°±2°			1:1				A				213			
				enr	STEVEN WANG 01/04/05							size				dwg no			
				chr	LH 01/04/05							51940-114				sheet			
				appd	VICTOR LIN 01/04/05											4 of 4			
					JOSEPH HSIA 01/04/05														
sheet index	revision sheet																		

cage code 22526 4

Pro/E

PDM: Rev:B

STATUS:Released

Printed: Sep 22, 2006