

4

3

2

1

THIS DRAWING IS UNPUBLISHED. RELEASED FOR PUBLICATION 20  
 © COPYRIGHT 20 BY TYCO ELECTRONICS CORPORATION ALL RIGHTS RESERVED.

LOC AJ DIST 00

REVISIONS				
P	LTR	DESCRIPTION	DATE	APVD
C		RELEASED PER ECO-14-001751	07FEB2014	KF JPS
D		REVISED PER ECO-14-010096	24JUL2014	KF PG

RECOMMENDED PCB LAYOUT  
SCALE 5:1

SCALE 5:1

- ASSEMBLY IS RoHS COMPLIANT PER TE CONNECTIVITY STANDARD TEC-138-702.
- MATERIAL:  
 STAND-OFF: THERMOPLASTIC, BLACK.  
 ELEMENT: COLD ROLLED STEEL.  
 PLATING: TIN OVER NICKEL.

3 DIMENSIONS AND DATUMS ESTABLISHED BY CUSTOMER.  
 4 TAPE AND REEL PACKAGING, REFERENCE PACKAGING DETAIL ON SHEET 2.  
 5 TRAY PACKAGING, REFERENCE PACKAGING DETAIL ON SHEET 3.

5	2118316-2
4	2118316-1
PACKAGING	PART NUMBER

# CONFIDENTIAL

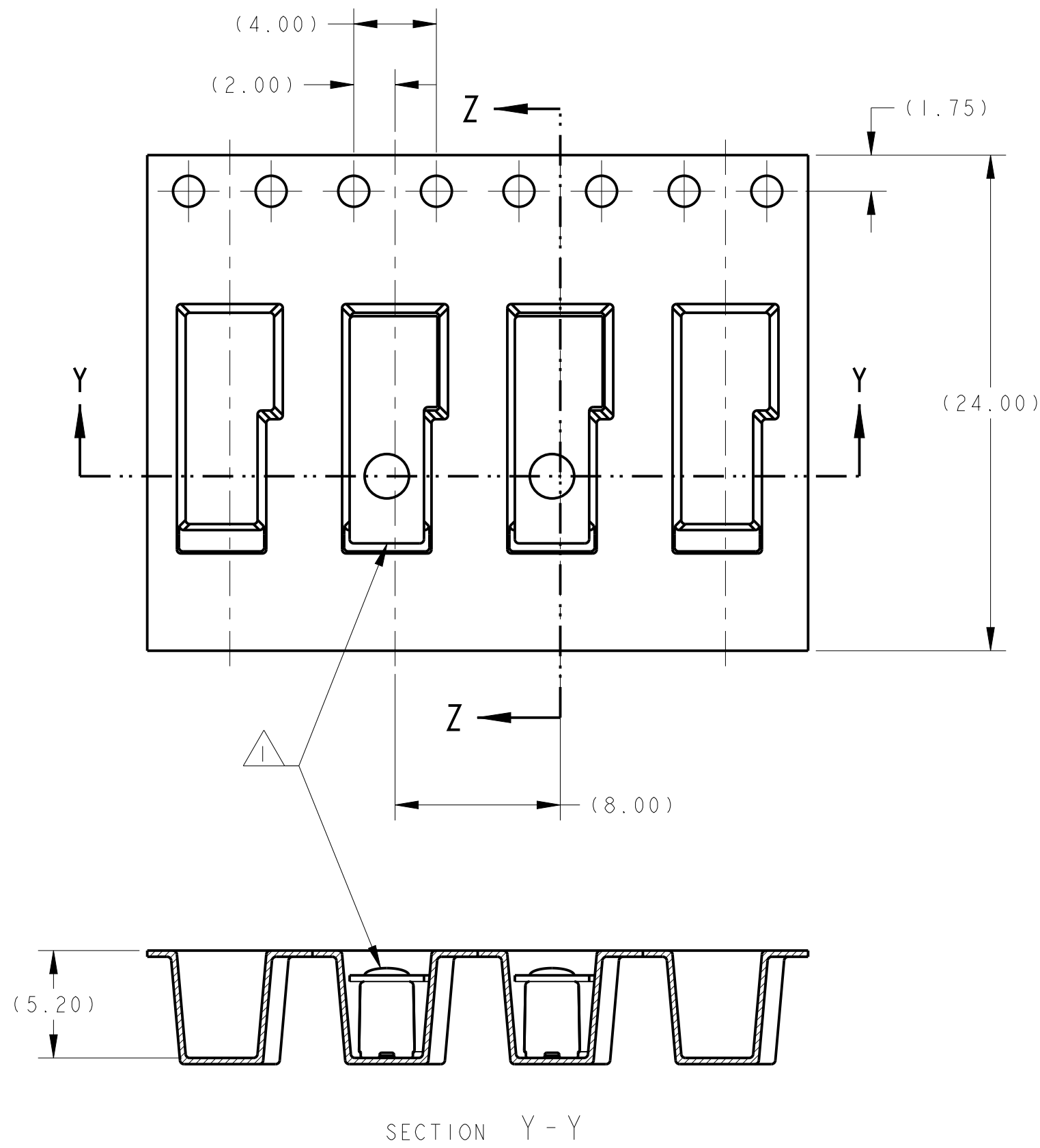
THIS INFORMATION IS CONFIDENTIAL AND IS DISCLOSED TO YOU ON CONDITION THAT NO FURTHER DISCLOSURE IS MADE BY YOU TO OTHER THAN TYCO ELECTRONICS PERSONNEL WITHOUT WRITTEN AUTHORIZATION FROM TYCO ELECTRONICS, HARRISBURG, PA.

THIS DRAWING IS A CONTROLLED DOCUMENT.		DWN K. FOLTZ 06 JUN 2013	TE Connectivity NAME SINGLE BAND, PIFA 5 GHz, GROUND PLANE DEPENDENT
DIMENSIONS: mm		CHK G. GRIFFITH 06 JUN 2013	
TOLERANCES UNLESS OTHERWISE SPECIFIED:		APVD G. GRIFFITH 06 JUN 2013	
0 PLC ± 1 PLC ± 2 PLC ±0.10 3 PLC ± 4 PLC ± ANGLES ±1°0' FINISH		PRODUCT SPEC - APPLICATION SPEC - WEIGHT -	
MATERIAL -	CUSTOMER DRAWING	SIZE A200779 CAGE CODE C-2118316	RESTRICTED TO -
		SCALE 10:1	SHEET 1 OF 3 REV D

1471-9 (3/11)

THIS DRAWING IS UNPUBLISHED. RELEASED FOR PUBLICATION 20  
 © COPYRIGHT 20 BY TYCO ELECTRONICS CORPORATION ALL RIGHTS RESERVED.

LOC	DIST	REVISIONS			
P	LTR	DESCRIPTION	DATE	DWN	APVD
AJ	00	SEE SHEET 1	-	-	-



SECTION Z-Z

SECTION Y-Y

△ ORIENT PARTS AS SHOWN.

TAPE AND REEL  
 PACKAGING DETAIL  
 SCALE 4:1

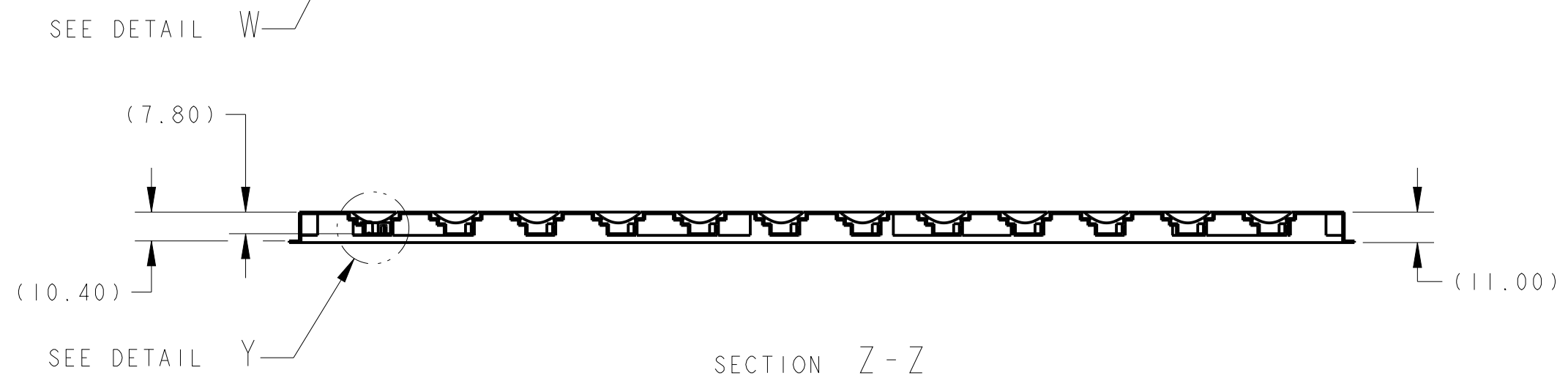
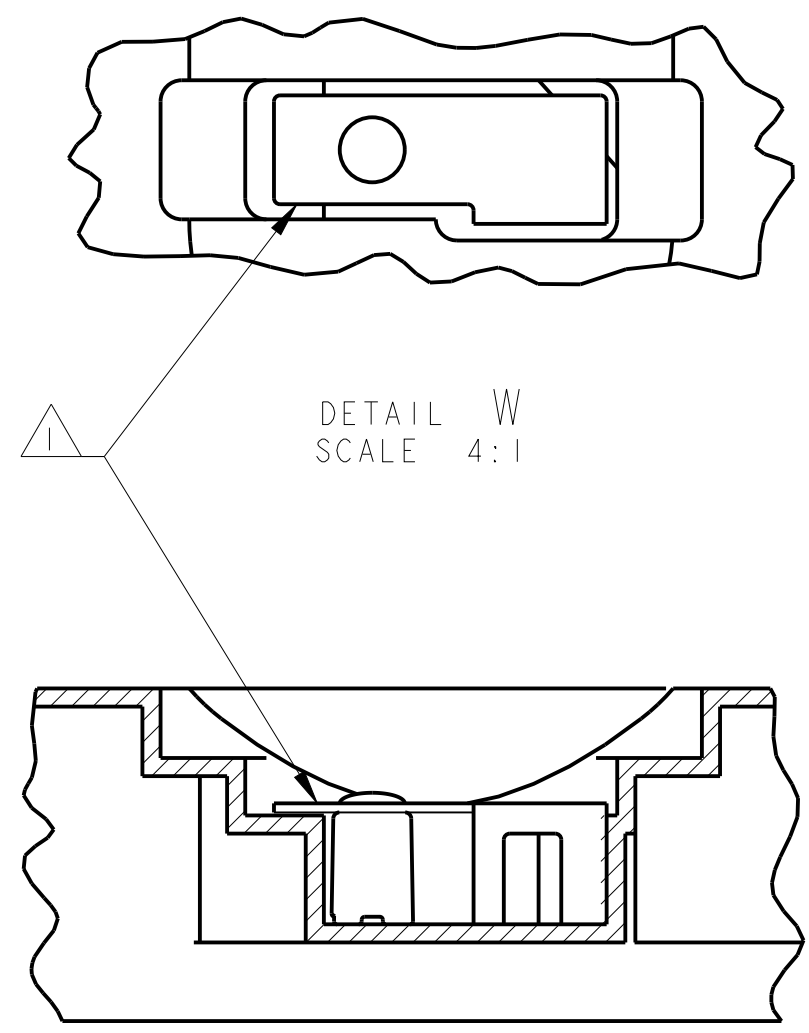
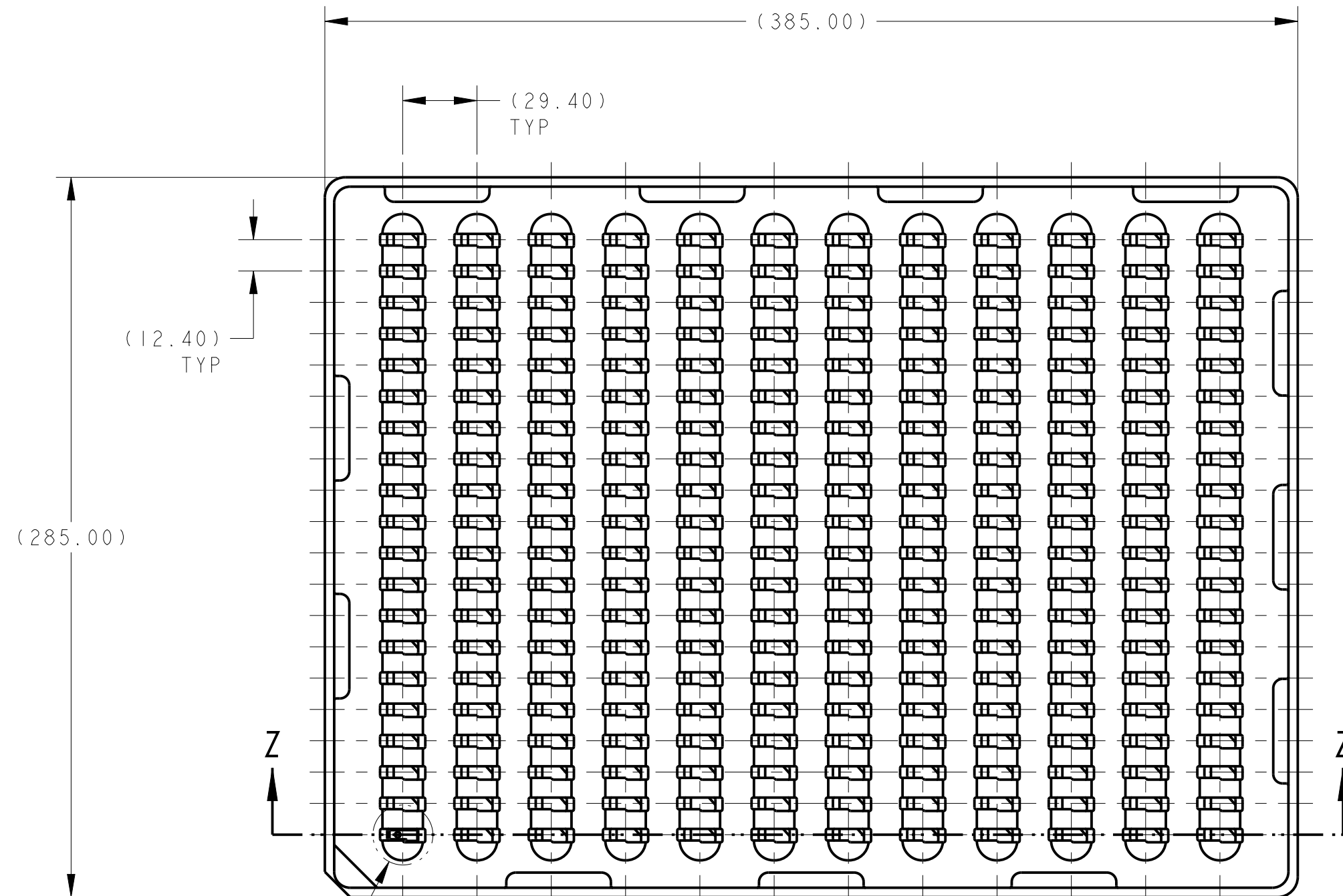
**CONFIDENTIAL**

THIS INFORMATION IS CONFIDENTIAL AND IS DISCLOSED TO YOU ON CONDITION THAT NO FURTHER DISCLOSURE IS MADE BY YOU TO OTHER THAN TYCO ELECTRONICS PERSONNEL WITHOUT WRITTEN AUTHORIZATION FROM TYCO ELECTRONICS, HARRISBURG, PA.

THIS DRAWING IS A CONTROLLED DOCUMENT.		DWN K. FOLTZ 06 JUN 2013	TE Connectivity	
DIMENSIONS: mm		CHK G. GRIFFITH 06 JUN 2013		
TOLERANCES UNLESS OTHERWISE SPECIFIED:		APVD G. GRIFFITH 06 JUN 2013	NAME SINGLE BAND, PIFA 5 GHz, GROUND PLANE DEPENDENT	
0 PLC ± 1 PLC ± 2 PLC ±0.10 3 PLC ± 4 PLC ± ANGLES ±1° FINISH		PRODUCT SPEC -	SIZE A200779	CAGE CODE C-2118316
MATERIAL -		APPLICATION SPEC -	DRAWING NO -	RESTRICTED TO -
		WEIGHT -	SCALE 10:1	SHEET 2 OF 3
		CUSTOMER DRAWING	REV D	

THIS DRAWING IS UNPUBLISHED. RELEASED FOR PUBLICATION 20  
 © COPYRIGHT 20 BY TYCO ELECTRONICS CORPORATION ALL RIGHTS RESERVED.

LOC	DIST	REVISIONS			
P	LTR	DESCRIPTION	DATE	DWN	APVD
AJ	00	SEE SHEET 1	-	-	-



TRAY PACKAGING DETAIL  
SCALE 1:2

△ ORIENT PARTS AS SHOWN.

**CONFIDENTIAL**

THIS INFORMATION IS CONFIDENTIAL AND IS DISCLOSED TO YOU ON CONDITION THAT NO FURTHER DISCLOSURE IS MADE BY YOU TO OTHER THAN TYCO ELECTRONICS PERSONNEL WITHOUT WRITTEN AUTHORIZATION FROM TYCO ELECTRONICS, HARRISBURG, PA.

THIS DRAWING IS A CONTROLLED DOCUMENT.		DWN K. FOLTZ 06 JUN 2013	TE Connectivity	
DIMENSIONS: mm		CHK G. GRIFFITH 06 JUN 2013		
TOLERANCES UNLESS OTHERWISE SPECIFIED:		APVD G. GRIFFITH 06 JUN 2013	NAME SINGLE BAND, PIFA 5 GHz, GROUND PLANE DEPENDENT	
0 PLC ± 1 PLC ± 2 PLC ±0.10 3 PLC ± 4 PLC ± ANGLES ±1°0' FINISH		PRODUCT SPEC -	SIZE A200779	DRAWING NO C-2118316
MATERIAL -		APPLICATION SPEC -	RESTRICTED TO -	SCALE 10:1
		WEIGHT -	SHEET 3 OF 3	REV D
		CUSTOMER DRAWING		