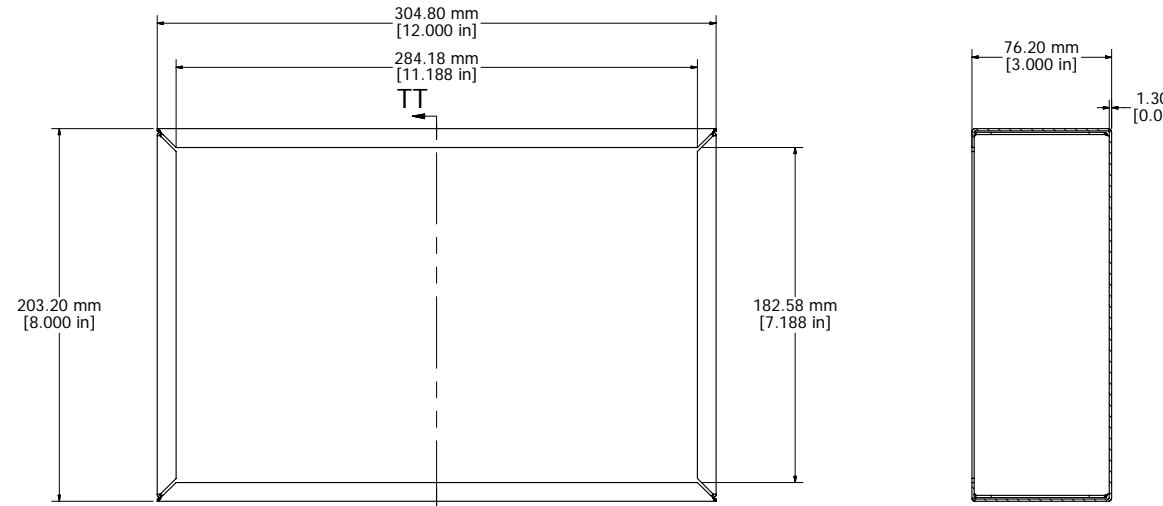
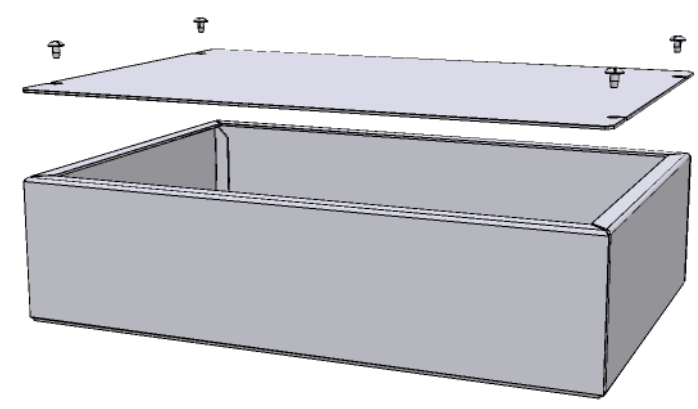


1434-22 - VIEW FROM TOP (SOLD SEPERATELY)



1444-24 - VIEW FROM TOP (SOLD SEPERATELY)

SECTION TT-TT

MATERIAL- 0.051" UNPAINTED ALUMINUM - ALL PARTS SOLD SEPERATELY
- CHASIS - 1444-24
- COVER - 1434-22
- 6 SCREWS (6-32 x 1/4 SHEET METAL SCREWS) - 1421J6

Contact Factory mjm@hammondmfg.com for quotes
 Enclosures can be Factory Modified (Milling, Drilling, Printing etc.)
 Solid models of this enclosure available in STEP or IGES.



1444-24
www.hammondmfg.com