

4

3

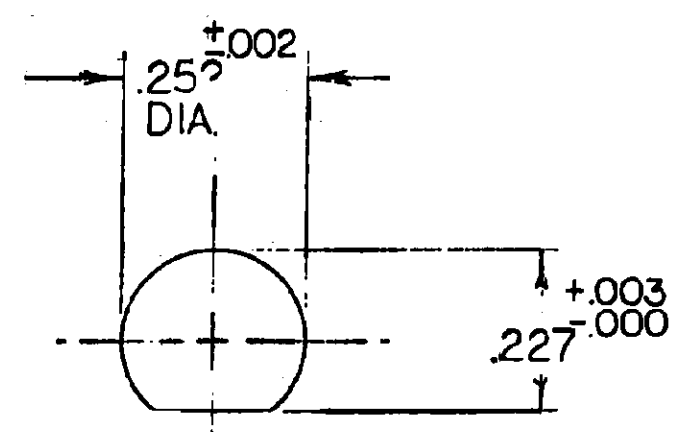
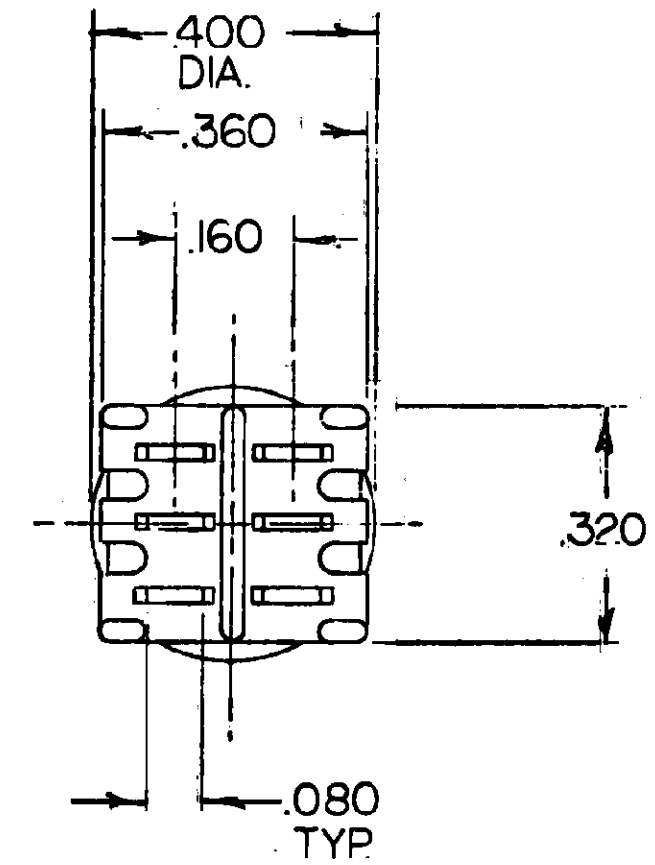
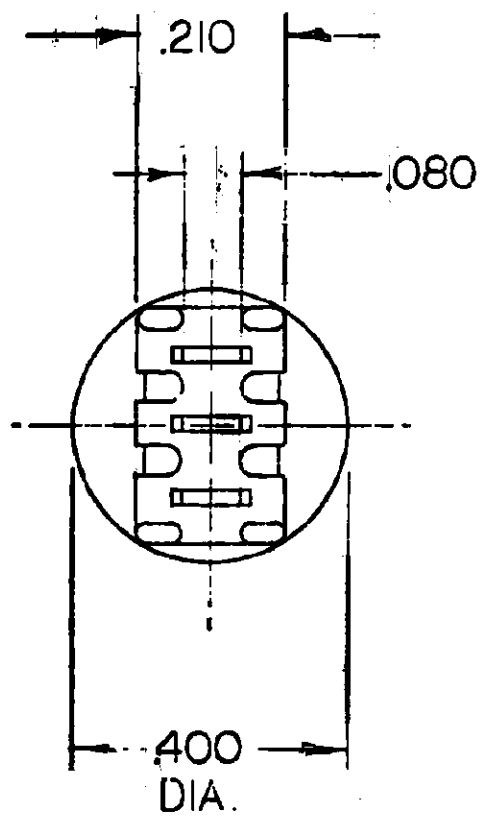
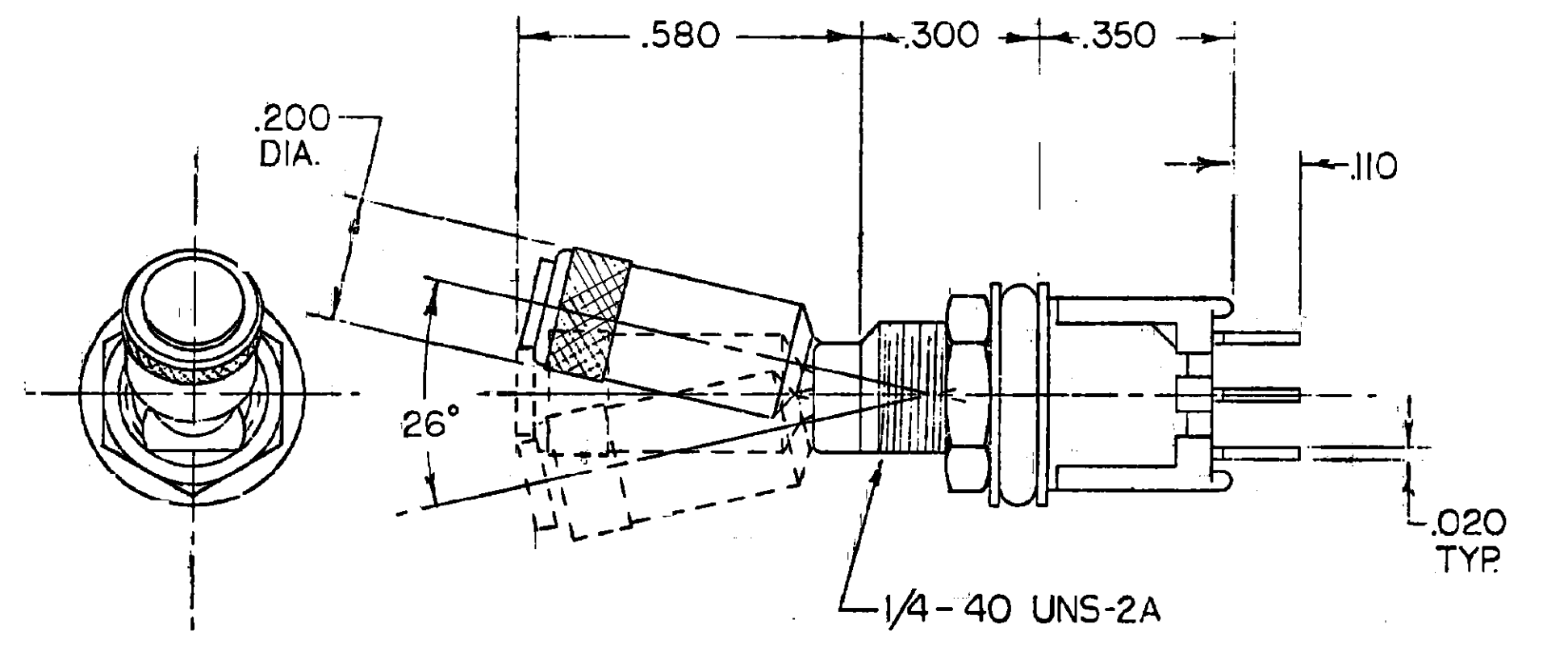
2

1

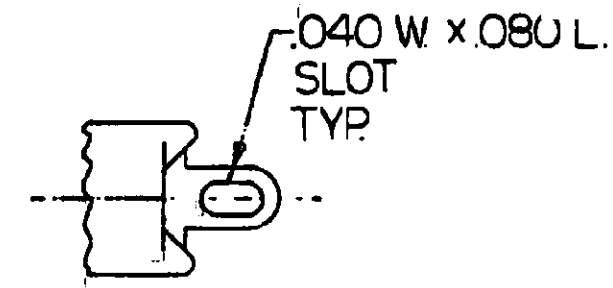
SPECIFICATIONS:

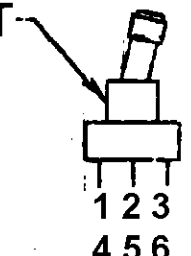
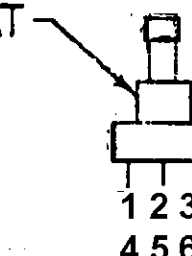
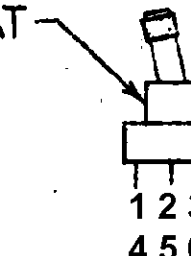
CONTACT RATING: 3A @ 125 VAC OR 28 VDC (RESISTIVE)
 INITIAL CONTACT RESISTANCE: 20 MILLIOHMS MAXIMUM
 INSULATION RESISTANCE: 1000 MEGOHMS MINIMUM @ 500 VDC.
 DIELECTRIC STRENGTH: 1000 VOLTS RMS AT SEA LEVEL
 LIFE EXPECTANCY: 10,000 CYCLES AT FULL RATED LOAD
 CONTACTS: SOLID SILVER
 SEAL-TOGGLE: PER MIL-S-83731A
 STATIC: PARAGRAPH 4.8.20
 DYNAMIC: PARAGRAPH 4.8.20

REVISIONS			
REV	DESCRIPTION	DATE	APPROVED
D	0G3C-0194-05	27MAR07	MZ






PANEL CUTOUT



TTE23P-8T 1/4	2 TO 1 5 TO 4	OFF	2 TO 3 5 TO 6
TTF23N-8T 1/4	2 TO 1 5 TO 4	NONE	2 TO 3 5 TO 6
TTF13F-8T 1/4	2 TO 1	OFF	2 TO 3
TTF13D-8T 1/4	2 TO 1	NONE	2 TO 3
SWITCH No.	FLAT 	FLAT 	FLAT 
	1 2 3 4 5 6	1 2 3 4 5 6	1 2 3 4 5 6

TERMINALS CONNECTED WHEN TOGGLE IS IN POSITION SHWN
 NOTE: TERMINAL DESIGNATION NUMBERS ARE FOR REFERENCE ONLY AND DO NOT APPEAR ON SWITCHES NO'S 4 5 6 FOR C.P. VERSION ONLY.

AUGAT D/N 40210

UNLESS OTHERWISE SPECIFIED		SIGNATURES	DATE
DIMENSIONS ARE IN INCHES		DRAWN 	7/20/07
TOLERANCES ON:		CHECKED 	7/20/07
3 PL. DECIMALS ± .010		ENGRG 	5/1/07
ANGLES ±		ISSUED	
FRACTIONS			

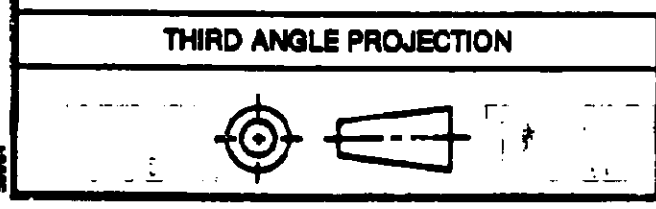
INSPECT PER ALCO QAS 100	
SYMBOL	A.Q.L.
□	CRITICAL
△	MAJOR
NONE	MINOR

tylco
Electronics

CUSTOMER DRAWING - TOGGLE SWITCH
 SEALED SP & DP
 TTE13(*)-8T 1/4

SIZE: SC. NO. DWG. NO. 1437563-6 REV. D

SCALE 4/1 SHEET OF 1



DISTRIBUTION									
1	2	3	4	5	6	7	8	9	10

4

3

2

1