

# AMP

AMP INCORPORATED  
HARRISBURG, PA 17105

CUSTOMER HOTLINE  
1 800 722-1111

## AMP\* PLIERS KIT 854904-1 FOR INSERTION AND REMOVAL OF LOCKING CLIP ON MODULAR Z-PACK\* RECEPTACLES

# IS 9704

RELEASED  
5-7-91

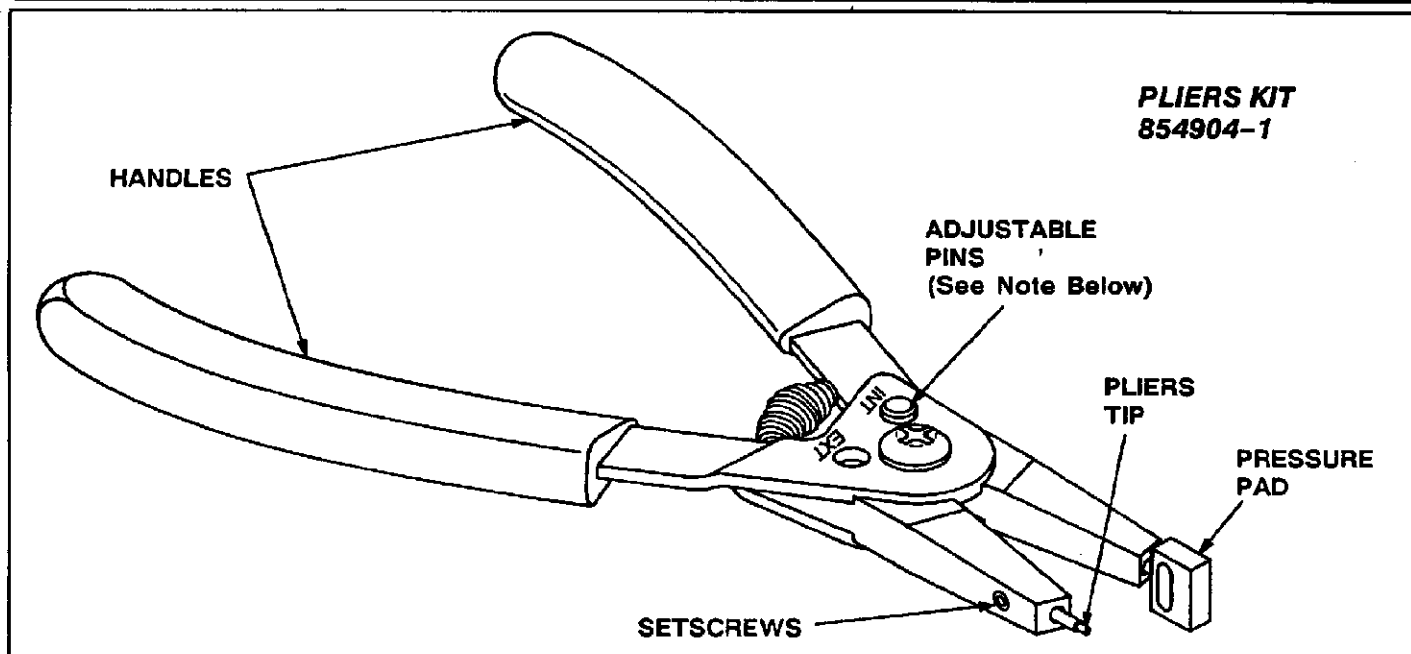


Fig. 1

91-275

### 1. INTRODUCTION

The AMP Pliers Kit 854904-1 is used to insert and remove locking clips 650322 and 650590 from Z-PACK Stripline 100 and 2mm modular receptacle assemblies. The clips hold the modules in place on an aluminum stiffener, and must be removed if modules need repair or replacement. Application Specification 114-1065 and Catalog 82-667 offer more product information.

### 2. DESCRIPTION (Figure 1)

The basic pliers are the type used for inserting and removing snap rings, but they have a special pressure pad on one jaw and a special pliers tip on the other.

#### NOTE

Always use the pliers with the adjustable pins protruding from the holes marked "INT" (See Figure 1).

The pad and tip are held in place by setscrews and can be easily removed and replaced using a 5/64-in. hex wrench.

### 3. INSERTING LOCKING CLIP (Figure 2)

Slide locking clip into slot in receptacle as far as you can by hand. Hold the pliers so that the pad rests against the back of the receptacle stiffener and insert the tip into

the hole in the clip. Squeeze the pliers handles together until the clip locks firmly in the stiffener.

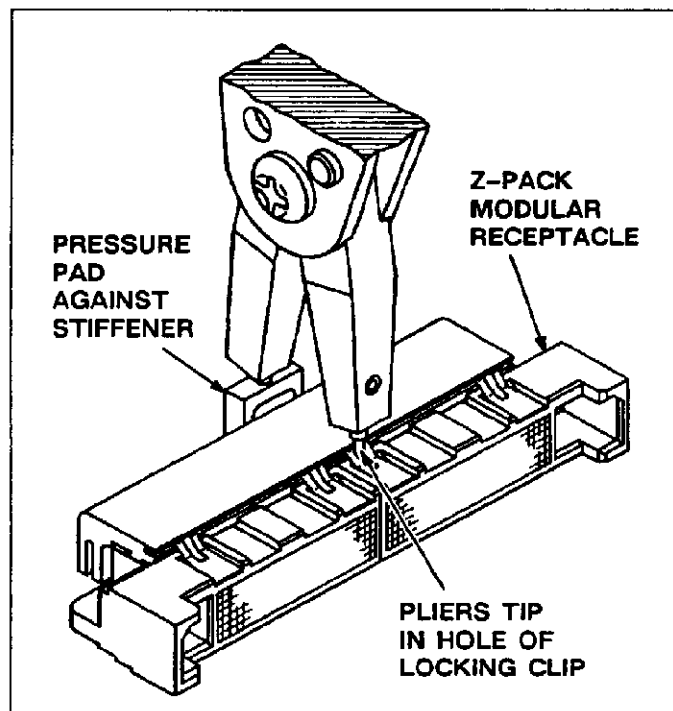


Fig. 2

91-276

#### 4. REMOVING LOCKING CLIP (Figure 3)

Hold the pliers so that the pad rests against the receptacle face right in front of the clip; the slotted hole in the pad should be positioned so that the clip can slide through it. Insert the tip into the hole in the clip, and squeeze the pliers handles together until the clip releases from the stiffener. Remove the clip the rest of the way by hand.

#### 5. MAINTAINING THE PLIERS KIT

Inspect the kit when you receive it and occasionally thereafter. When not in use, store it in a clean, dry area.

The pliers kit or any of its components may be replaced if damaged. Order parts by referring to the correct part numbers on AMP Customer Drawing 854904; order from the following address:

CUSTOMER SERVICE (38-35)  
AMP INCORPORATED  
P.O. BOX 3608  
HARRISBURG PA, 17105-3608

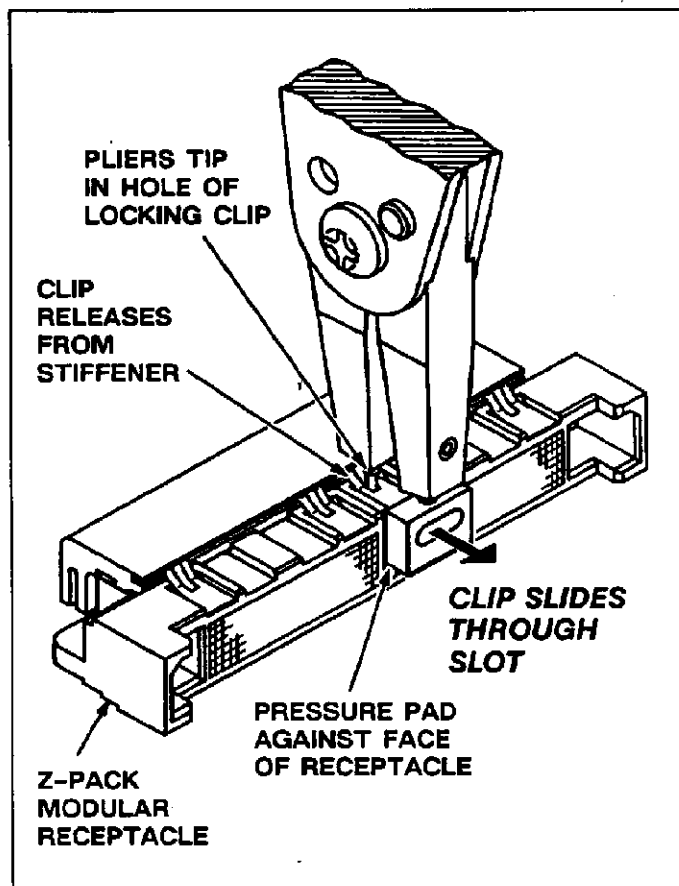


Fig. 3

91-277