

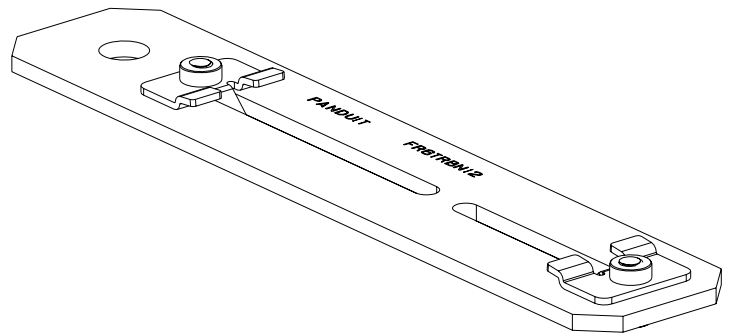
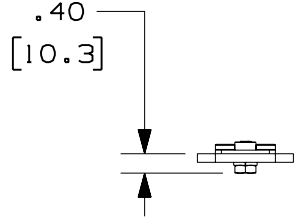
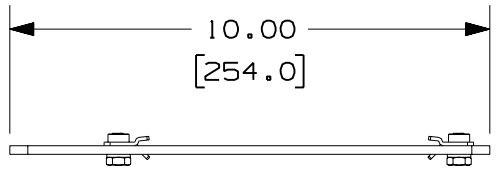
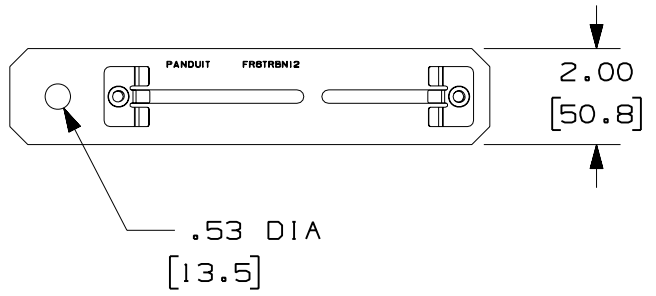


PANDUIT PART NUMBER	WEIGHT
FR6TRBN12 FR6TRBN12M	1.11 LB/EACH (504g/EACH)



NOTES:

1. SEE CURRENT CATALOG FOR ADDITIONAL PART SUFFIXES TO INDICATE PACKAGE QUANTITY.
2. THE FIBERRUNNER 4x4 AND 6x4 QUIKLOCK NEW THREADED ROD BRACKET IS USED TO SUPPORT THE FIBERRUNNER 4x4 AND/OR 6x4 CABLE ROUTING SYSTEMS FROM A SECTION OF NEW 1/2" (M12) THREADED ROD (NOT INCLUDED).
3. THE FIBERRUNNER 4x4 AND 6x4 QUIKLOCK NEW THREADED ROD BRACKET INCLUDES:
ONE (1) BRACKET ASSEMBLY,
TWO (2) 1/2 HELICAL SPRING LOCKWASHERS,
TWO (2) 1/2-13 HEAVY HEX NUTS (FR6TRBN12 ONLY),
TWO (2) M12x1.75 HEX NUTS (FR6TRBN12M ONLY)
4. FINISH COLOR: BLACK (EXCEPT HARDWARE)
5. DIMENSIONS IN PARENTHESES ARE IN METRIC.



ENG. REF.: D37585BC_DC_FR6TRBN12_01.prt

CAD FILENAME/LAYERS: FR6TRBN12.pdf

REV	DATE	BY	CHK	DESCRIPTION	ECN	R	CUST	SUP	GMBH
-	-----	---	--	H. REMOVED ALL REFERENCE TO FR6TRBN58	-----	--	--		
-	-----	---	--	G. REVISED TO INCLUDE FR6TRBN12M	-----	--	--		
-	-----	---	--	F. REVISED PART WEIGHT E. REVISED CHART	-----	--	--		
-	-----	---	--	D. REVISED GENERAL NOTES C. REVISED CAD FILENAME	-----	--	--		
1	8-1-06	DTP	RN	B. REVISED DRAWING TITLE A. REVISED AND REDRAWN	37585-25	RN	RN		

PANDUIT CORP TINLEY PARK, ILLINOIS

FIBERRUNNER 4x4 AND 6x4 QUIKLOCK NEW THREADED ROD BRACKET - 1/2" (M12) THREADED ROD (FR6TRBN12, FR6TRBN12M)

CUSTOMER DRAWING

UNLESS OTHERWISE SPECIFIED, DIMENSIONAL TOLERANCES ARE:
 (.X) ± (.XXX) ±
 (.XX) ± .03 (.8) ANGLES ±

UNLESS OTHERWISE SPECIFIED, ALL DIMENSIONS ARE GIVEN IN INCHES, THIRD ANGLE PROJECTION.

DRAWN BY: MSO
 DATE: 5-11-00
 CHK'D: CVV

MAT'L: STEEL

SCALE: NONE

DRAWING NO.: 37585-25
 DWG SIZE: A