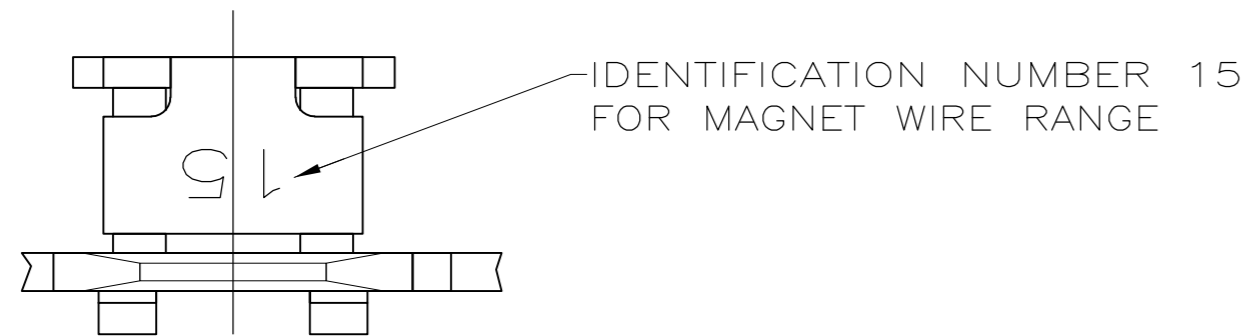
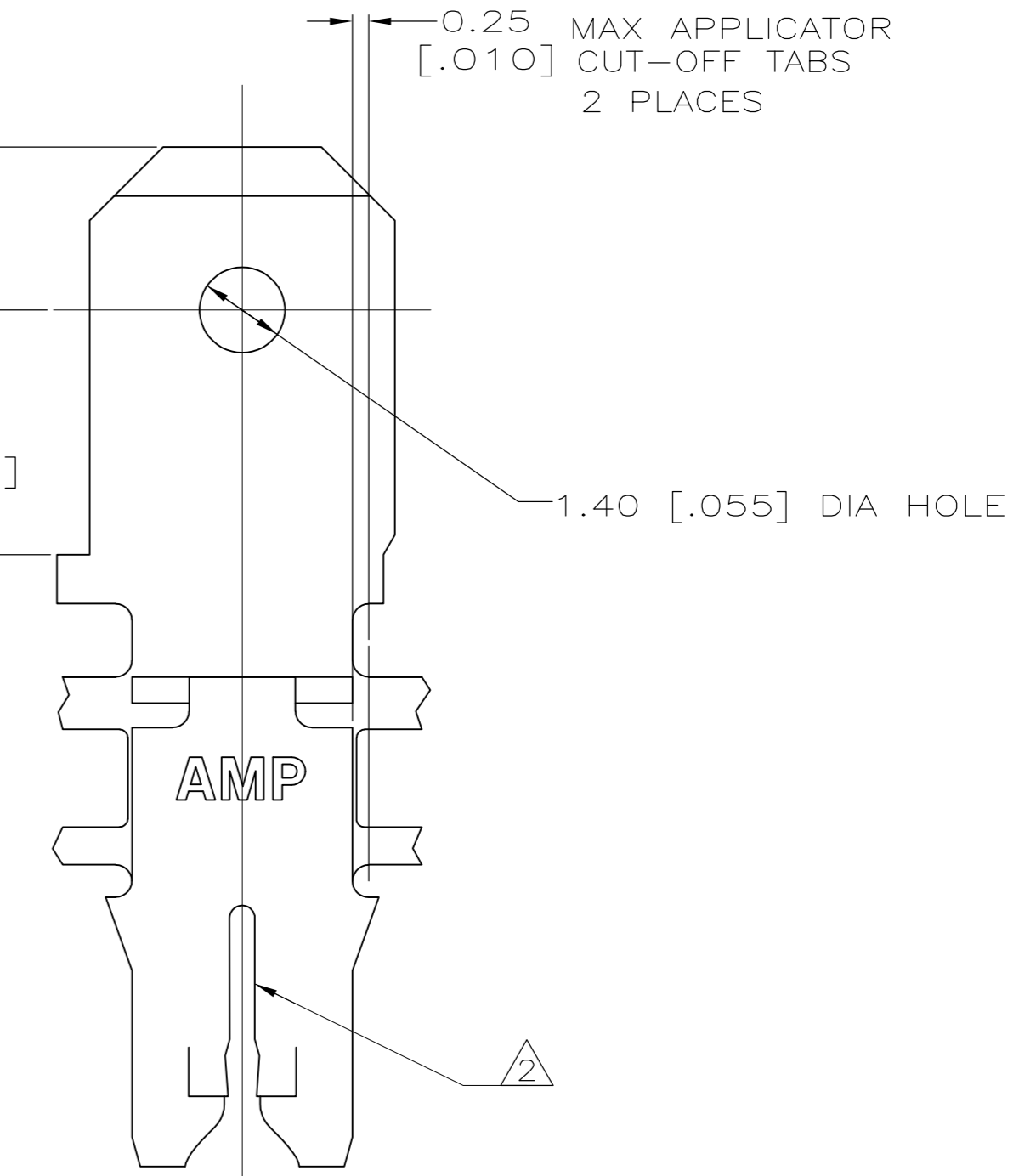
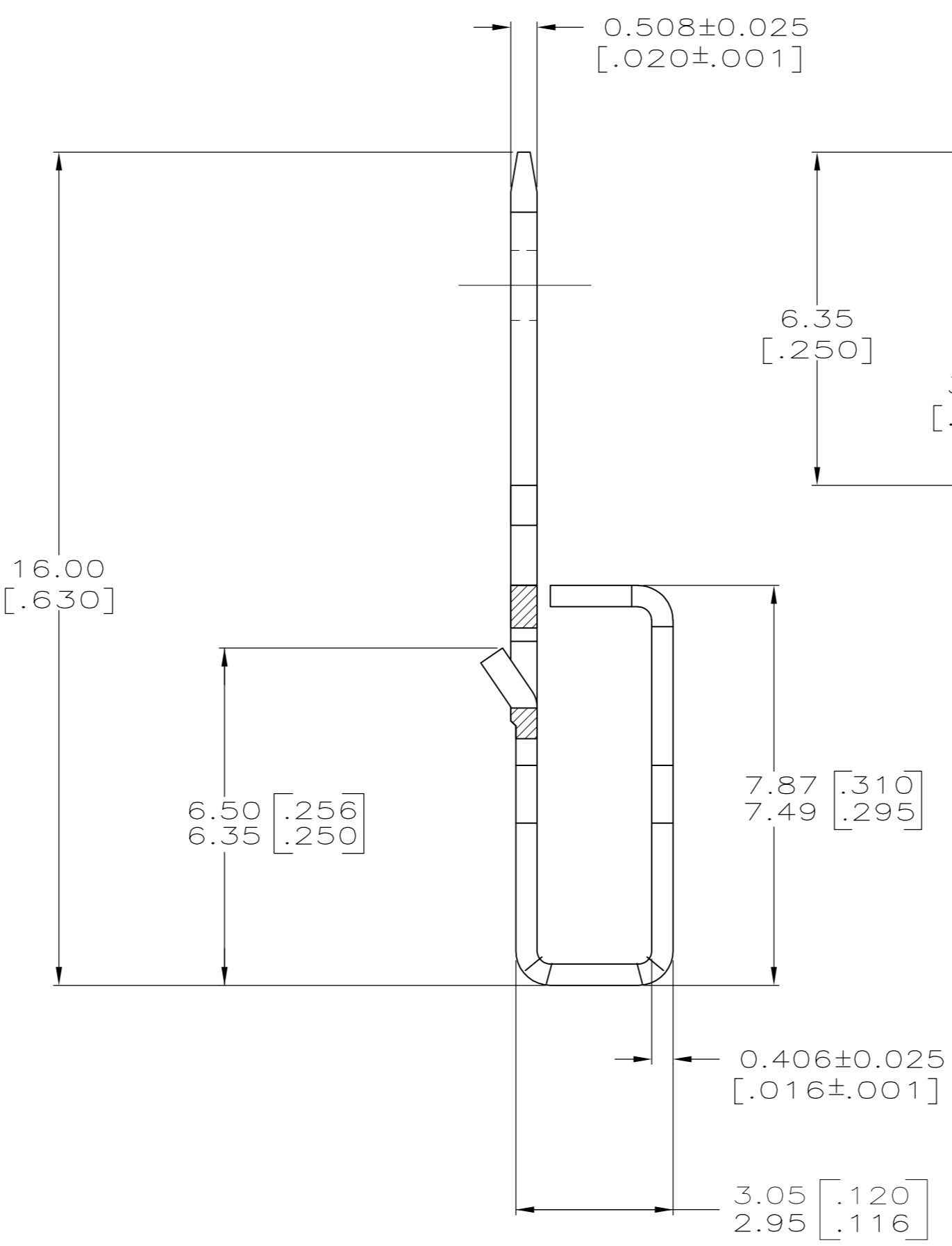
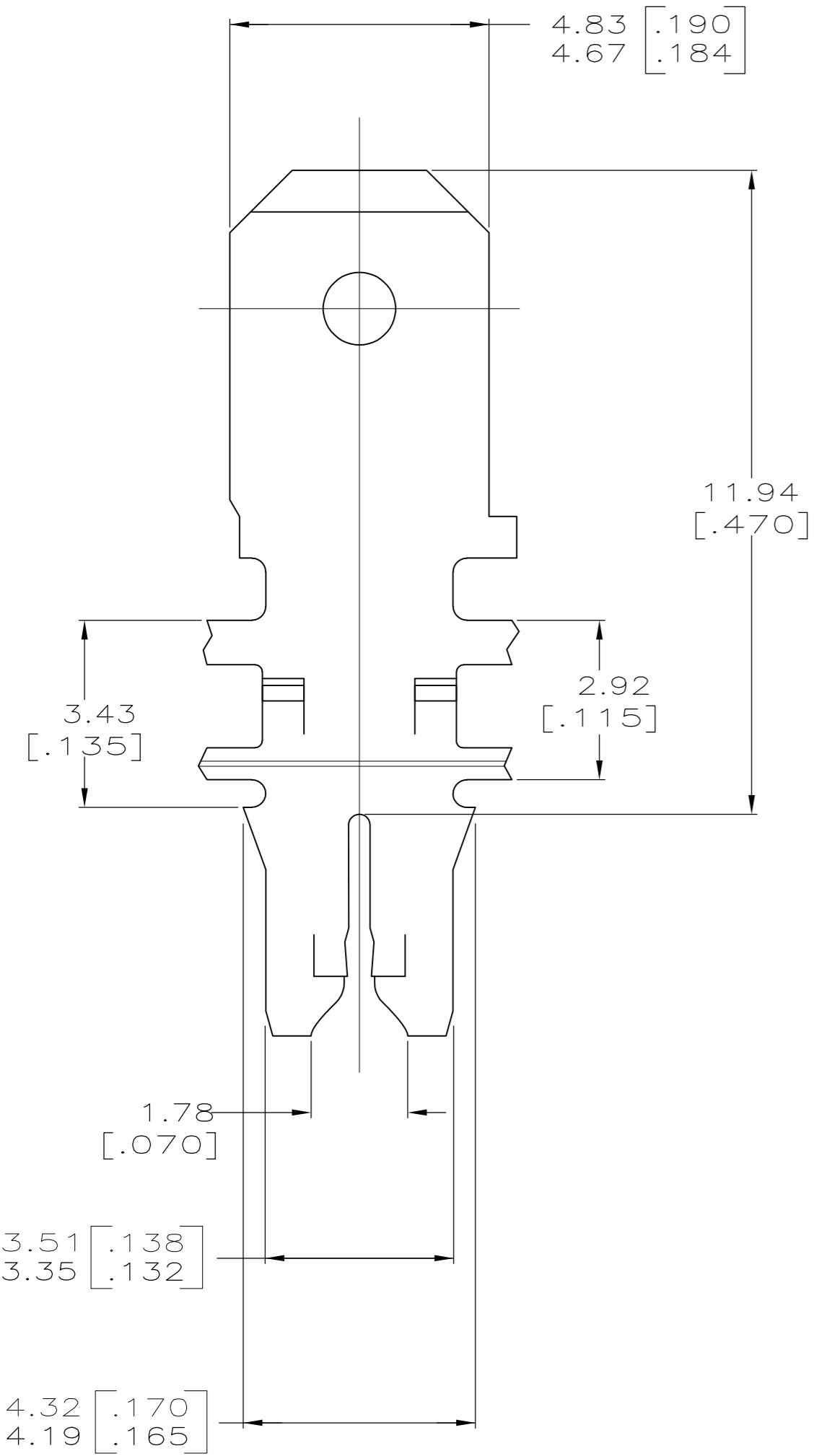


THIS DRAWING IS UNPUBLISHED. RELEASED FOR PUBLICATION
 © COPYRIGHT - By - ALL RIGHTS RESERVED.

LOC	DIST	REVISIONS			
P	LTR	DESCRIPTION	DATE	DWN	APVD
AF	50	2	ECR-15-005665	10AUG2015	BDA/PKS



- 1 CONTINUOUS STRIP ON REELS WITH TERMINALS LOCATED ON 5.59±0.08 [.220±.003] CENTERS.
- 2 SLOT TERMINATES A SINGLE MAGNET WIRE ONLY. COPPER RANGE: 0.57-0.81mm [#23-#20] AWG. ALUMINUM RANGE: 0.72-0.91mm [#21-#19] AWG. ALUMINUM WIRE RANGE APPLIES FOR POST-TIN PLATED VERSIONS ONLY.
- 3 4M PRE-MILLED BRASS
- 4 0.002032 [.000080] MIN TIN PLATE
- 5 PRELIMINARY - NOT FOR PRODUCTION



5 1742934-1
PART NUMBER

THIS DRAWING IS A CONTROLLED DOCUMENT.		DWN	JR RUTH	14OCT11
DIMENSIONS: MM [INCHES]		CHK	KURT RANDOLPH	14OCT11
TOLERANCES UNLESS OTHERWISE SPECIFIED:		APVD	KURT RANDOLPH	14OCT11
0 PLC ± -		PRODUCT SPEC	108-2012	
1 PLC ± -		APPLICATION SPEC	114-2067	
2 PLC ± 0.25[.010]		SIZE	A2	CAGE CODE 00779
3 PLC ± -		DRAWING NO	C=1742934	
4 PLC ± -		WEIGHT	-	
ANGLES ± -		CUSTOMER DRAWING	SCALE 10:1	SHEET 1 of 1
FINISH		REV 2		

PRELIMINARY
 TERMINAL TAB,™
 4.75 [.187] FASTON,™
 MAG-MATE™