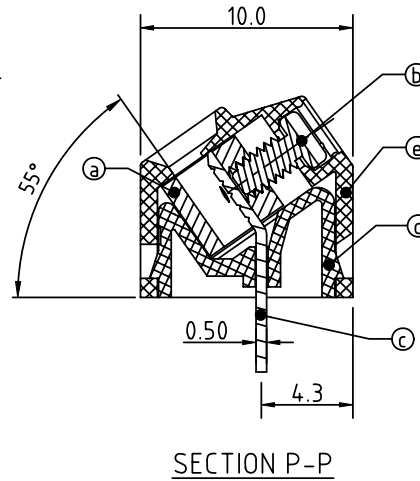
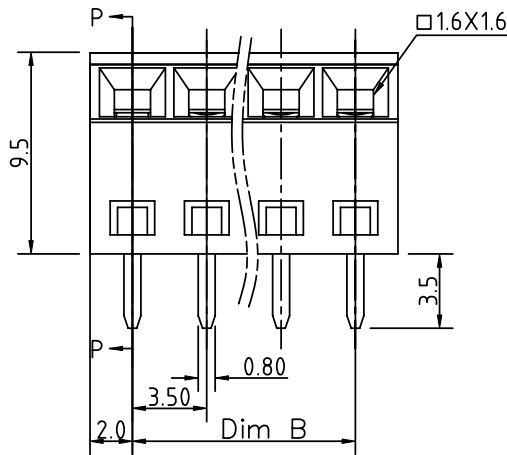
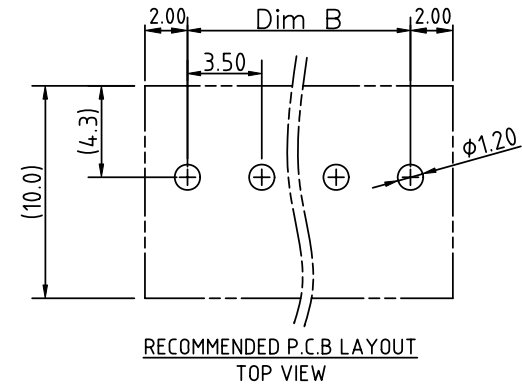
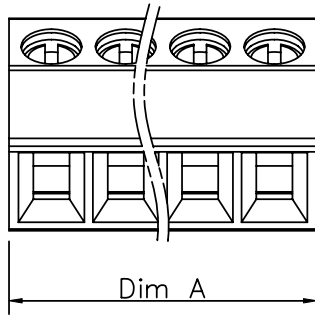


PRODUCT NUMBER	PITCH
TVxx11x000J0G	3.50 mm



Material

- Item (a) Clamp : Brass , Ni plated
- Item (b) Terminal screw : Steel Zinc plating "-" slot type
- Item (c) Wire guard solder pin : Brass, Tin plated
- Item (d) Terminal cover : Thermoplastic (UL94 V-0)
- Item (e) Terminal housing : Thermoplastic (UL94 V-0)

Electrical

- Voltage rating: 300VAC
- Current rating: 10A
- Wire range:
- Solid wire(AWG): 16-28
- Stranded wire(AWG): 16-28
- Torque(Lb-In): 1.7
- Screw: M2
- Wire strip length: 5-6mm
- Withstanding Voltage: 1.6KV
- Operating temperature: -40°C to +115°C
- Soldering temperature: 260°C±5°C/5 Sec
- Safety Approval: us

N = Number of poles
Dim A=Nx3.5+0.50
Dim B=(N-1)x3.5

poles	Dim A	Dim B
2-6p	±0.15	±0.15
7-12p	±0.20	±0.20
13-18p	±0.25	±0.25
19-24p	±0.30	±0.30

PART NO.: TV xx 1 1 x 0 00J 0 G

Solid Block	0	Black (RAL9005)	RoHS compliant (lead<4%) In copper Alloy
No. of poles	2	Red (RAL3001/D)	
02	2 poles	3 Orange(RAL2011/P)	
03	3 poles	4 Yellow(RAL1018/A)	
...	...	5 Green(RAL6018/T)	
24	24 poles	6 Blue (RAL5015/A)	
		8 Grey(RAL7035/D)	
		9 White(RAL1102)	
		C Green(RAL6018/U)	

mat'l. code				surface ASME Y14.5	tolerance ASME Y14.5	projection 	product family TERMINAL BLOCK
ltr	ecn no	dr	date	tolerances unless otherwise specified		MM	title TERMINAL BLOCK
				angles	X.±0.5		scale RISING CLAMP,55D WIRE INLET
				flatness	X.X±0.3		sheet 1 of 1
				total run out	X.XX±0.1		size A4
				dr	EVIN ZHONG 040714		dwg no TVxx11x000J0G
				enr	EVIN ZHONG 040714		sheet 1 of 1
				chr	HANKE FENG 040714	size A4	
				appd	SHI JUN 040714	type CUSTOMER Drawing	
sheet index	revision	A					