

**QT-Brightek SMD Display Series**

**0.40" Single Digit Alphanumeric Display**

**Part No.: QBASS40YGZ**

**Z = 1: Common Cathode**

**Z = 0: Common Anode**

---

**Table of Contents:**

Introduction .....	3
Electrical / Optical Characteristic (T=25 °C) .....	4
Pin Configuration .....	5
Characteristic Curves.....	6
Soldering Profile.....	7
Packing .....	8
Ordering Information .....	9
Revision History .....	10
Disclaimer .....	10

## Introduction

**Feature:**

- 0.40" Single digit fourteen segments SMD display
- Low power consumption
- Packed in tape and reel
- White segment and grey surface
- GaP Green
- X=1: Common Cathode or 0: Common Anode

**Description:**

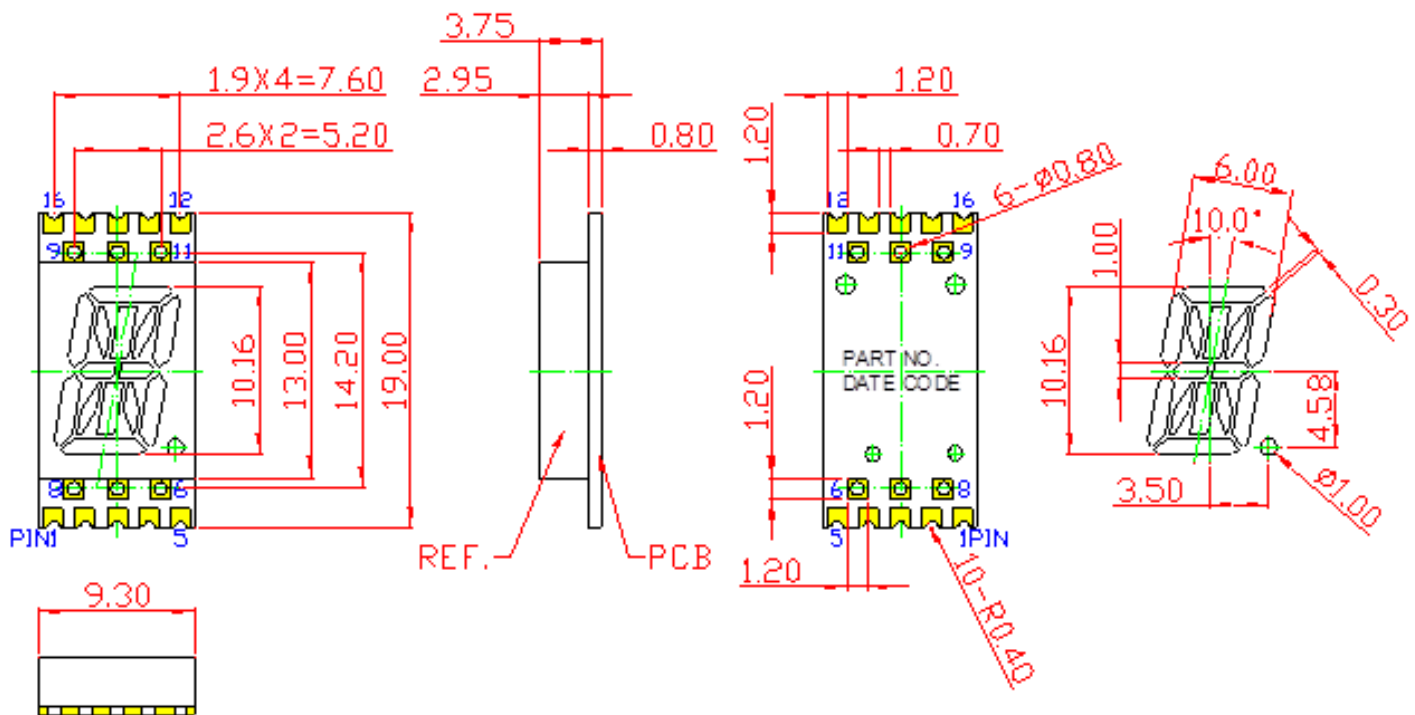
These 0.40" Single digit fourteen segments displays are made with white segment and gray surface. The viewing distance is up to seven meters.

**Application:**

- Instrument panels
- Indoor/Outdoor display board
- Audio equipment

**Certification & Compliance:**

- TS16949
- ISO9001
- RoHS Compliant

**Dimension:**

Units: mm / tolerance = +/-0.25mm

**Electrical / Optical Characteristic (T=25 °C)**

Product		Color	I <sub>F</sub> (mA)	V <sub>F</sub> (V)			λ <sub>D</sub> (nm)			I <sub>V</sub> (mcd)
CC	CA			Min.	Typ.	Max.	Min.	Typ.	Max.	Typ.
QBASS40YG1	QBASS40YG0	Yellow Green	20	--	2.0	2.6	--	570	--	3

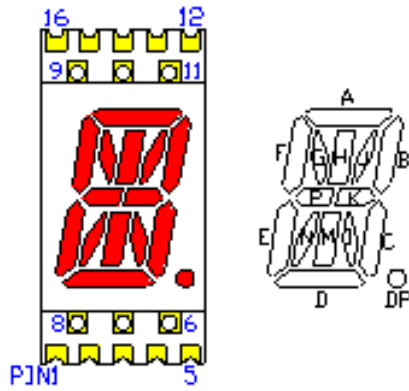
**Absolute Maximum Rating**

Material	P <sub>d</sub> (mW)	Derating liner from 25 °C per dice (mA/°C)	I <sub>F</sub> (mA)	I* <sub>PF</sub> (mA)	V <sub>R</sub> (V)	T <sub>OP</sub> (°C)	T <sub>ST</sub> (°C)
GaP	70	0.28	25	90	5	-40 to + 105	-40 to +105

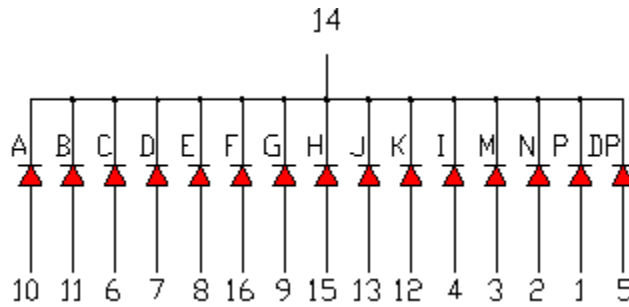
\*Duty 1/10 @ 1kHz

\*\* IR Reflow for no more than 5 sec @ 260 °C

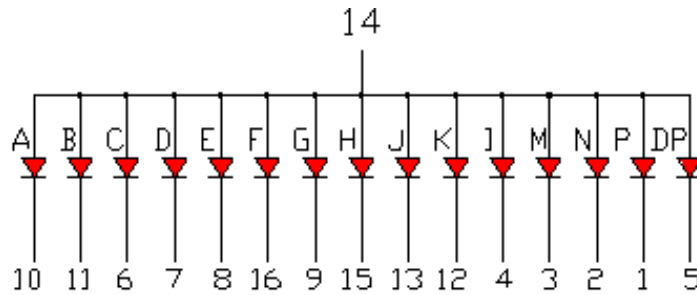
**Pin Configuration**



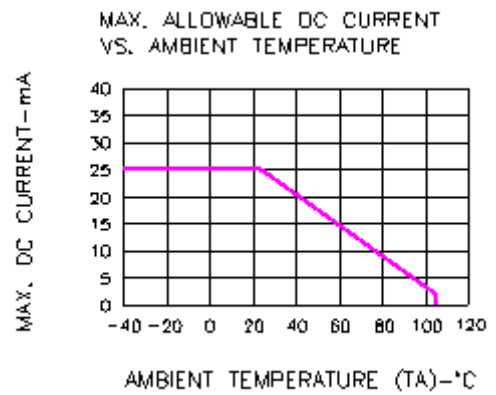
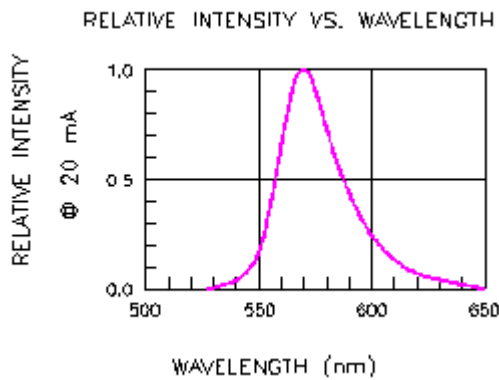
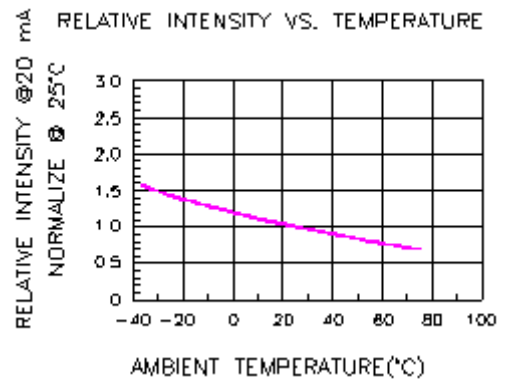
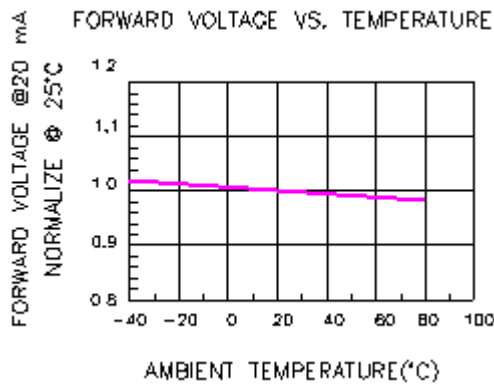
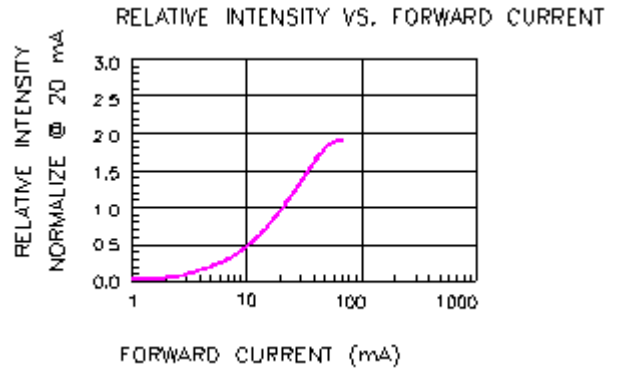
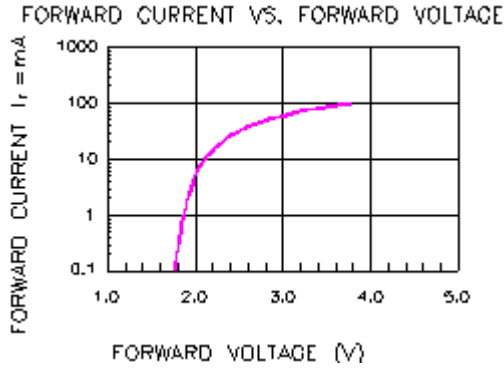
CC



CA



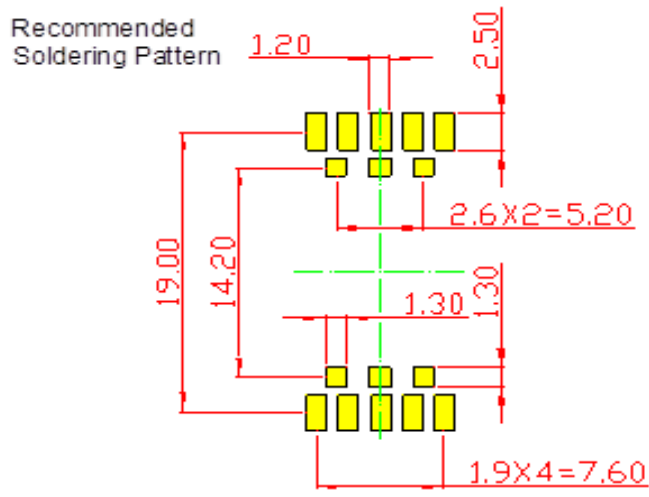
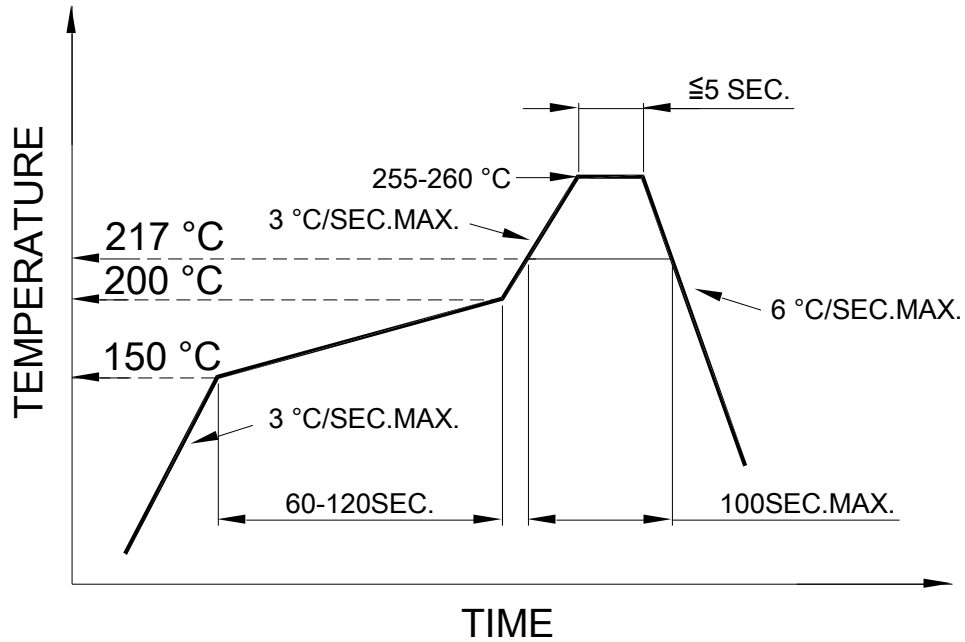
**Characteristic Curves**



## Soldering Profile

SMT Soldering Profile

Pb free reflow soldering Profile

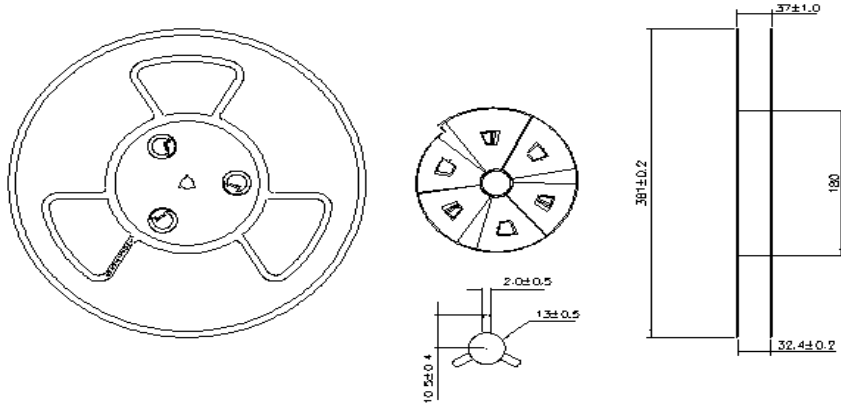


Units: mm / tolerance = +/-0.25mm

Product: QBASS40YGZ	Date: March 25, 2014	Page 7 of 10
	Version# 1.0	

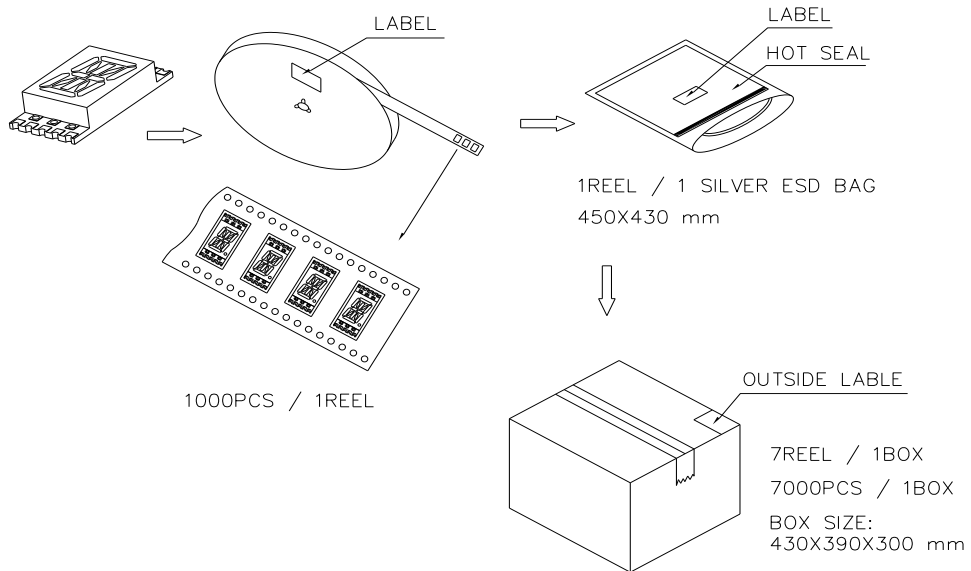
## Packing

### Reel Dimensions:



Unit: mm

### Packing and Label Specifications:



Product: QBASS40YGZ	Date: March 25, 2014	Page 8 of 10
	Version# 1.0	





Part No: \_\_\_\_\_  
 Customer P/N: \_\_\_\_\_  
 Item: \_\_\_\_\_  
 Q'ty: \_\_\_\_\_  
 Vf: \_\_\_\_\_  
 Iv: \_\_\_\_\_  
 WI: \_\_\_\_\_  
 Date: \_\_\_\_\_

**Made in Taiwan**

**Ordering Information**

Product		Orderable Part #		Spec Range	Quantity per Reel
CC	CA	CC	CA		
QBASS40YG1	QBASS40YG0	QBASS40YG1	QBASS40YG0	Iv=3 mcd Typ. @ I <sub>F</sub> = 20mA/ Color: 570nm Typ.	1000

## Revision History

Description:	Revision #	Revision Date
New Release of QBASS40YGZ	V1.0	03/25/2014

## Disclaimer

QT-BRIGHTTEK reserves the right to make changes without further notice to any products herein to improve reliability, function or design. QT-BRIGHTTEK does not assume any liability arising out of the application or use of any product or circuit described herein; neither does it convey any license under its patent rights, nor the rights of others.

## Life Support Policy

QT-BRIGHTTEK's products are not authorized for use as critical components in life support devices or systems without the express written approval of QT-BRIGHTTEK. As used herein:

1. Life support devices or systems are devices or systems which, (a) are intended for surgical implant into the body, or (b) support or sustain life, and (c) whose failure to perform when properly used in accordance with instructions for use provided in the labeling, can be reasonably expected to result in a significant injury of the user.
2. A critical component in any component of a life support device or system whose failure to perform can be reasonably expected to cause the failure of the life support device or system, or to affect its safety or effectiveness.

Product: QBASS40YGZ	Date: March 25, 2014	Page 10 of 10
	Version# 1.0	