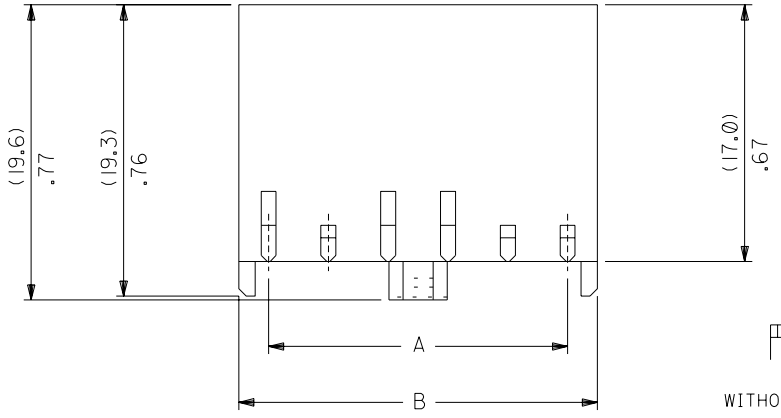


PART NO. SEE CHART
 DWG. NO. SD-90331-001

PART NO.	KEYING RECD. AT CIRCUIT POSITIONS						DIM. A	DIM. B	MIDDLE LOCKING PEG	CKT. SIZE
	1	2	3	4	5	6				
90331-**01	YES	YES	YES	YES	YES	YES	19.81±0.13	23.67±0.13	YES	6
90331-**02	YES	NO	NO	NO	NO	NO	19.81±0.13	23.67±0.13	YES	6
90331-**03	NO	NO	NO	YES	NO	NO	19.81±0.13	23.67±0.13	YES	6
90331-**04	YES	NO	YES	YES	NO	NO	19.81±0.13	23.67±0.13	YES	6
90331-**05	YES	YES	—	—	—	—	3.96±0.10	7.82±0.10	NO	2
90331-**06	NO	NO	NO	NO	NO	NO	19.81±0.13	23.67±0.13	NO	6
90331-**07	NO	YES	NO	NO	NO	NO	19.81±0.13	23.67±0.13	YES	6
90331-**08	NO	NO	YES	NO	NO	NO	19.81±0.13	23.67±0.13	YES	6
90331-**09	NO	NO	NO	NO	YES	NO	19.81±0.13	23.67±0.13	YES	6
90331-**10	NO	NO	NO	NO	NO	YES	19.81±0.13	23.67±0.13	YES	6

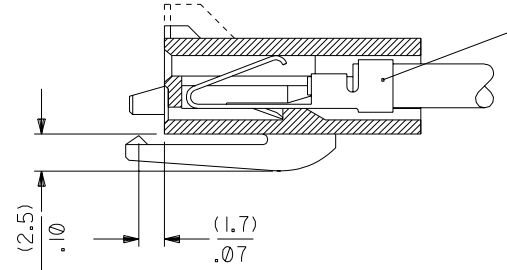
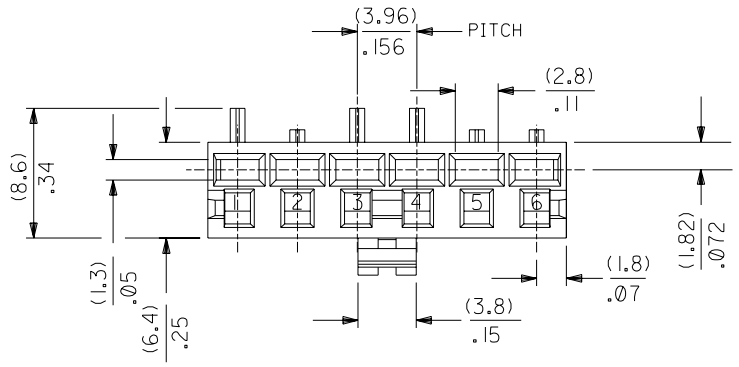


LEGEND :

90331- * * 0 *

COLOUR — 0=NATURAL
 1=BLACK (AVAILABLE IN NYLON ONLY)

MATERIAL — 0=POLYESTER 94 V0-NATURAL(WHITE)
 1=NYLON 6/6 UL 94 V0-NATURAL(WHITE) OR BLACK
 4=NYLON 6/6 UL 94 V2-NATURAL OR BLACK



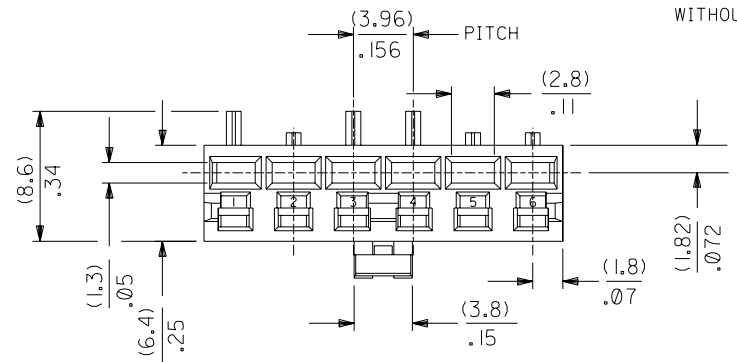
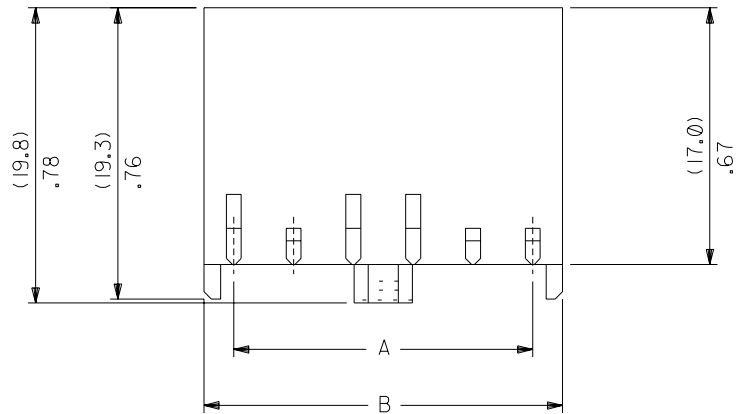
PART NO. 08-50-0277
 MATERIAL: PRE-TIN BRASS
 PLATING TO P902 CODE PER ES-88
 SPECIFICATION.

NOTES :

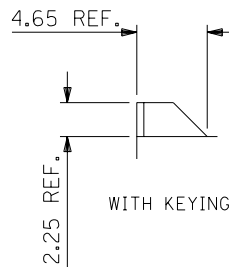
- HOUSING MATERIAL: SEE LEGEND. NYLON OPTIONS ARE FOR TAIWAN PRODUCTION ONLY.
- FOR USE WITH 8993 SERIES TERMINAL.
- KEY IS OPTIONAL. PLS SEE TABLE FOR P/N.
- FOR ILLUSTRATION PURPOSE, 90331-004 IS SHOWN
- PRODUCT SPECIFICATION: PS-90331

CHANGED PLATING CODES EC NO. E2004-0036 DRWN: PSHEAHAN 03/07/14 CHK: APPR:	QUALITY SYMBOLS MAJOR $\blacktriangledown = 0$ CRITICAL $\nabla = 0$	GENERAL TOLERANCES: (UNLESS SPECIFIED)		SCALE 3:1	DESIGN UNITS <input checked="" type="checkbox"/> mm <input type="checkbox"/> INCH	THIRD ANGLE PROJECTION <input checked="" type="checkbox"/> mm <input type="checkbox"/> INCH	DIMENSIONS: <input checked="" type="checkbox"/> mm <input type="checkbox"/> INCH <input type="checkbox"/> mm <input type="checkbox"/> ONLY		SHT 2	REV V
		4 PLACES ±0.	±.005	DRAWN BY & DATE CD 9/12/18		TITLE: HOUSING 3.96 PITCH CORING OPTION 1 FOR USE W/ 8993 TERMINAL		REV V		
		3 PLACES ±0.	±.010	CHECKED BY & DATE				CAD ON CAD ONLY		
		2 PLACES ±0.13	±.	APPROVED BY & DATE		MOLEX INCORPORATED		SHEET NO. IOF2		
1 PLACE ±0.25	±.	ANGULAR: ± 1/2 °		CAD FILENAME S90331EX1.DGN	MATERIAL NO. SEE CHART	DRAWING NO. SD-90331-001	SHEET NO. IOF2			
REV V		DRAFT WHERE APPLICABLE MUST REMAIN WITHIN DIMENSIONS		THIS DRAWING CONTAINS INFORMATION THAT IS PROPRIETARY TO MOLEX INCORPORATED AND SHOULD NOT BE USED WITHOUT WRITTEN PERMISSION.						SIZE B

PART NO. SEE CHART
 DWG. NO. SD-90331-001



WITHOUT KEYING



WITH KEYING

LEGEND :

90331- * * 0 *

COLOUR — 0=NATURAL
 1=BLACK (AVAILABLE IN NYLON ONLY)

MATERIAL — 0=POLYESTER 94 V0-NATURAL(WHITE)
 1=NYLON 6/6 UL 94 V0-NATURAL(WHITE) OR BLACK
 4=NYLON 6/6 UL 94 V2-NATURAL OR BLACK

PART NO. 08-50-0277
 MATERIAL: PRE-TIN BRASS
 PLATING TO P902 CODE PER ES-88
 SPECIFICATION.

PART NO.	KEYING REQD. AT CIRCUIT POSITIONS						DIM. A	DIM. B	MIDDLE LOCKING PEG	CKT. SIZE
	1	2	3	4	5	6				
90331-**01	YES	YES	YES	YES	YES	YES	19.81±0.13	23.67±0.13	YES	6
90331-**02	YES	NO	NO	NO	NO	NO	19.81±0.13	23.67±0.13	YES	6
90331-**03	NO	NO	NO	YES	NO	NO	19.81±0.13	23.67±0.13	YES	6
90331-**04	YES	NO	YES	YES	NO	NO	19.81±0.13	23.67±0.13	YES	6
90331-**05	YES	YES	—	—	—	—	3.96±0.10	7.82±0.10	NO	2
90331-**06	NO	NO	NO	NO	NO	NO	19.81±0.13	23.67±0.13	NO	6
90331-**07	NO	YES	NO	NO	NO	NO	19.81±0.13	23.67±0.13	YES	6
90331-**08	NO	NO	YES	NO	NO	NO	19.81±0.13	23.67±0.13	YES	6
90331-**09	NO	NO	NO	NO	YES	NO	19.81±0.13	23.67±0.13	YES	6
90331-**10	NO	NO	NO	NO	NO	YES	19.81±0.13	23.67±0.13	YES	6

NOTES :

- HOUSING MATERIAL: SEE LEGEND. NYLON OPTIONS ARE FOR TAIWAN PRODUCTION ONLY.
- FOR USE WITH 8993 SERIES TERMINAL.
- KEY IS OPTIONAL. PLS SEE TABLE FOR P/N.
- FOR ILLUSTRATION PURPOSE, 90331-**04 IS SHOWN
- PRODUCT SPECIFICATION: PS-90331

CHANGED PLATING CODES
 EC NO. E2004-0036
 DRWN: PSHEAHAN 03/07/14
 CHK: / / /
 APPR: / / /
 REV

QUALITY SYMBOLS
 MAJOR = 0
 CRITICAL C = 0

GENERAL TOLERANCES: (UNLESS SPECIFIED)

	mm	INCH
4 PLACES	±0.	±.
3 PLACES	±0.	±.005
2 PLACES	±0.13	±.010
1 PLACE	±0.25	±.

ANGULAR: ± °

DRAFT WHERE APPLICABLE MUST REMAIN WITHIN DIMENSIONS

SCALE DESIGN UNITS
 mm INCH

THIRD ANGLE PROJECTION

DRAWN BY & DATE
 FM 94/02/21

CHECKED BY & DATE

APPROVED BY & DATE

CAD FILENAME
 S90331EX2.DGN

DIMENSIONS:
 mm INCH mm ONLY INCH ONLY

SHT REV
 REVISE ON CAD ONLY

TITLE: HOUSING 3.96 PITCH
 CORING OPTION 2, FOR USE
 W/ 8993 SERIES TERMINAL

MOLEX INCORPORATED

MATERIAL NO. SEE CHART
 DRAWING NO. SD-90331-001
 SHEET NO. 2 OF 2

THIS DRAWING CONTAINS INFORMATION THAT IS PROPRIETARY TO MOLEX INCORPORATED AND SHOULD NOT BE USED WITHOUT WRITTEN PERMISSION.