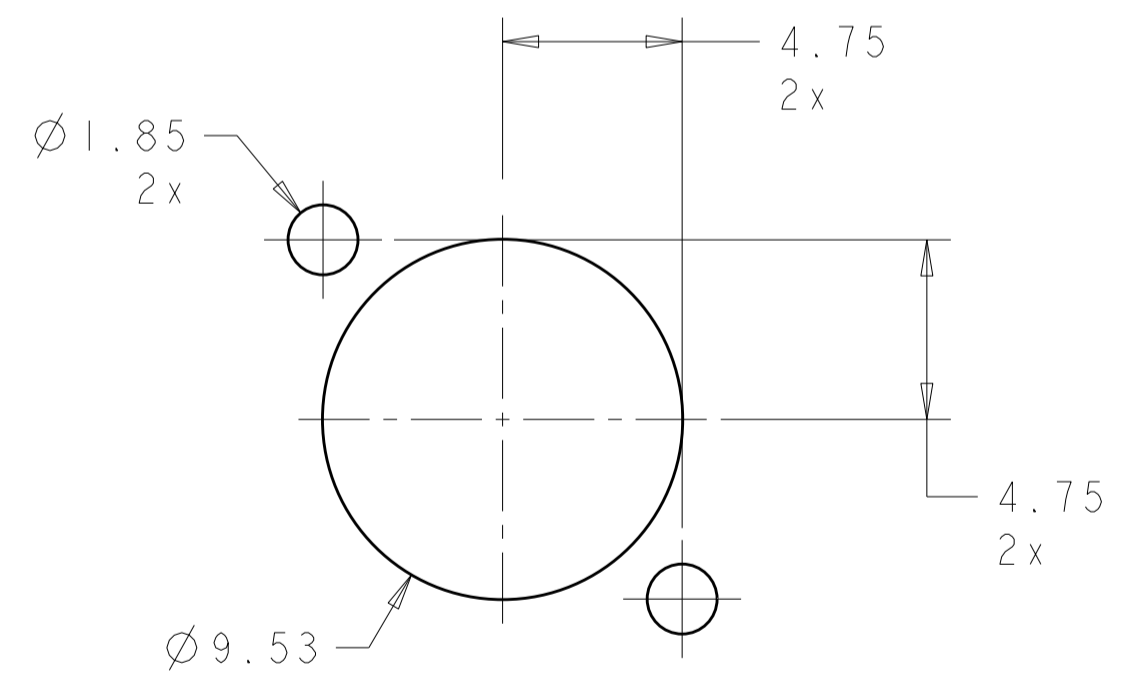
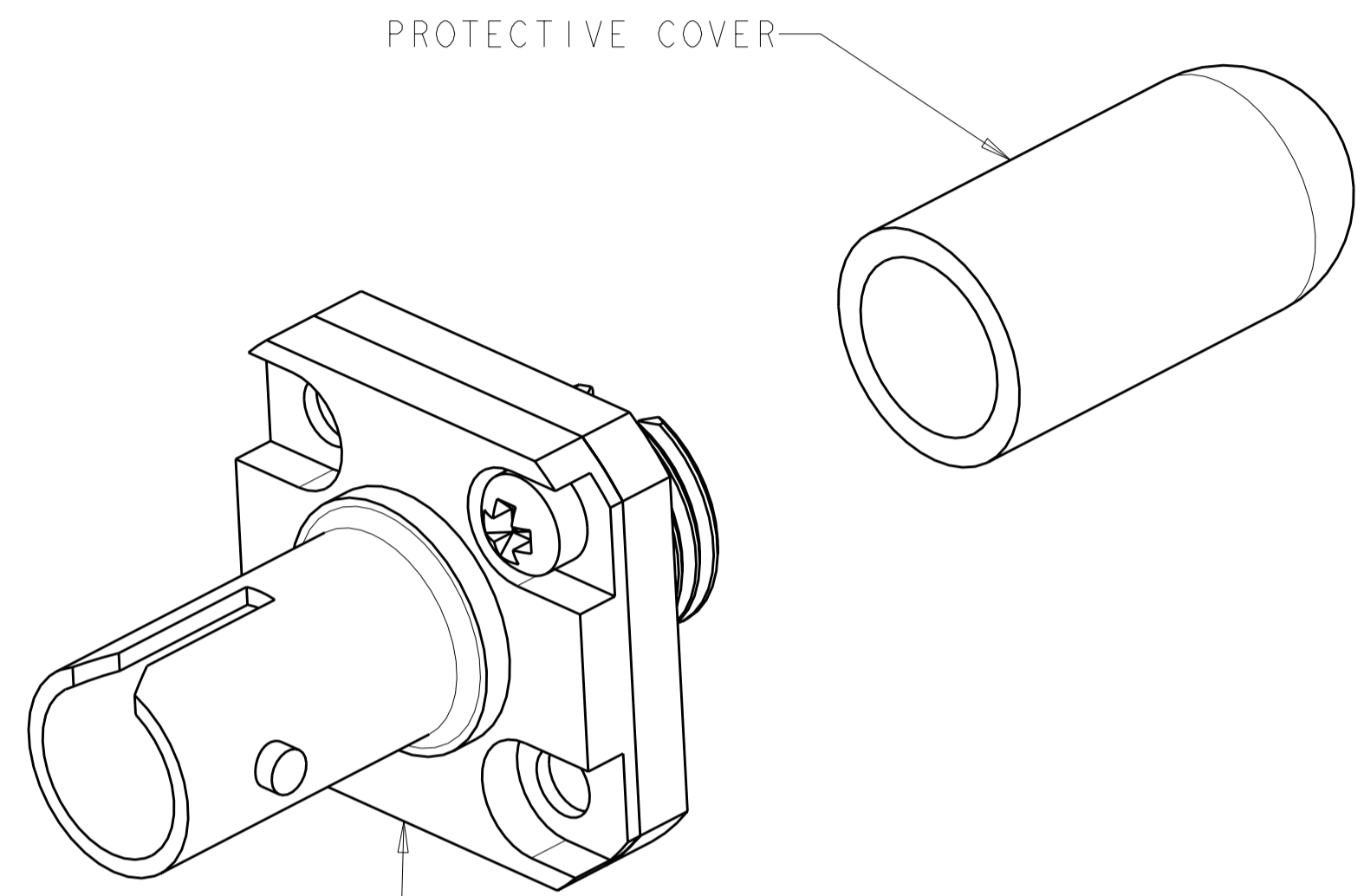
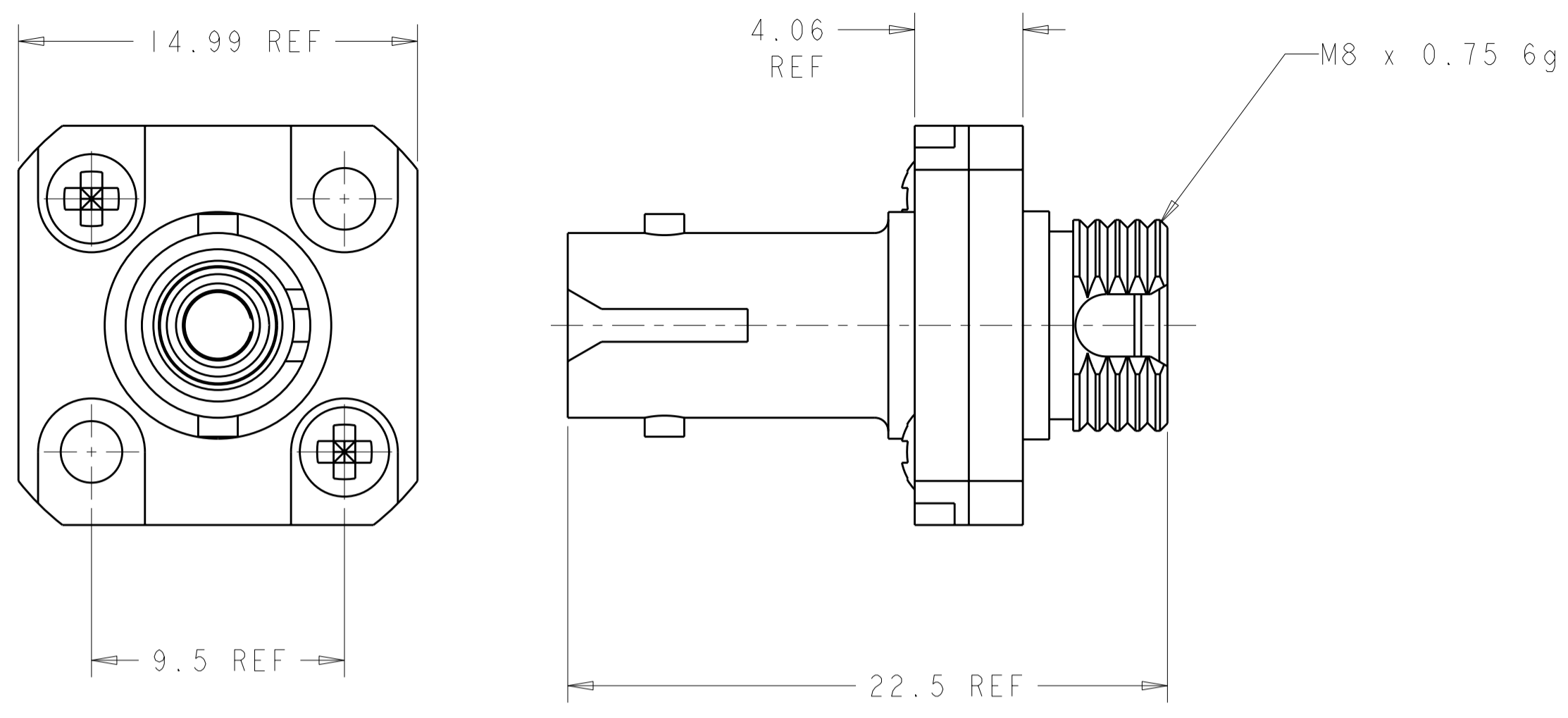


THIS DRAWING IS UNPUBLISHED. RELEASED FOR PUBLICATION 20  
 © COPYRIGHT 20 BY TYCO ELECTRONICS CORPORATION. ALL RIGHTS RESERVED.

LOC	DIST	REVISIONS			
P	LTR	DESCRIPTION	DATE	DWN	APVD
CE	00	A	RELEASE TO ACTIVE	07JUN2006	BB SM



△ MATERIAL:  
 HOUSING: NICKEL PLATED BRASS  
 SLEEVE: PHOSHER BRONZE  
 SLEEVE: ZIRCONIA  
 SCREW: STAINLESS STEEL  
 PROTECTIVE COVER: PVC, COLOR: RED, NON-FR

CERAMIC	5503640-2
METAL	5503640-1
ALIGNMENT SLEEVE	PART NUMBER

THIS DRAWING IS A CONTROLLED DOCUMENT FOR TYCO ELECTRONICS CORPORATION. IT IS SUBJECT TO CHANGE AND THE CONTROLLING ENGINEERING ORGANIZATION SHOULD BE CONTACTED FOR THE LATEST REVISION.		DWN B. BRIGGS 03JAN2006	Tyco Electronics Harrisburg, PA 17105-3608	
DIMENSIONS: mm		CHK S. MILLER 03JAN2006	NAME HYBRID ADAPTER, METALIZED, FC TYPE TO BAYONET	
TOLERANCES UNLESS OTHERWISE SPECIFIED: 0 PLC ± 1 PLC ± 2 PLC ± 3 PLC ± 4 PLC ± ANGLES ± FINISH		APVD S. BUCHTER 03JAN2006	RESTRICTED TO	
MATERIAL △ -		PRODUCT SPEC -	SIZE A200779	CAGE CODE C-5503640
CUSTOMER DRAWING		APPLICATION SPEC -	SCALE 5:1	SHEET 1 OF 1 REV A