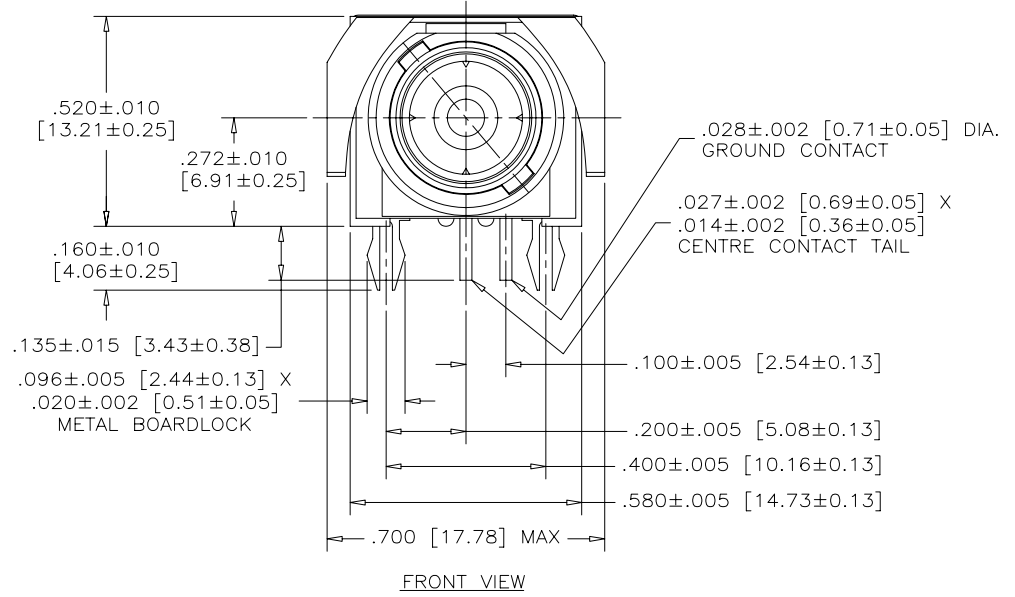
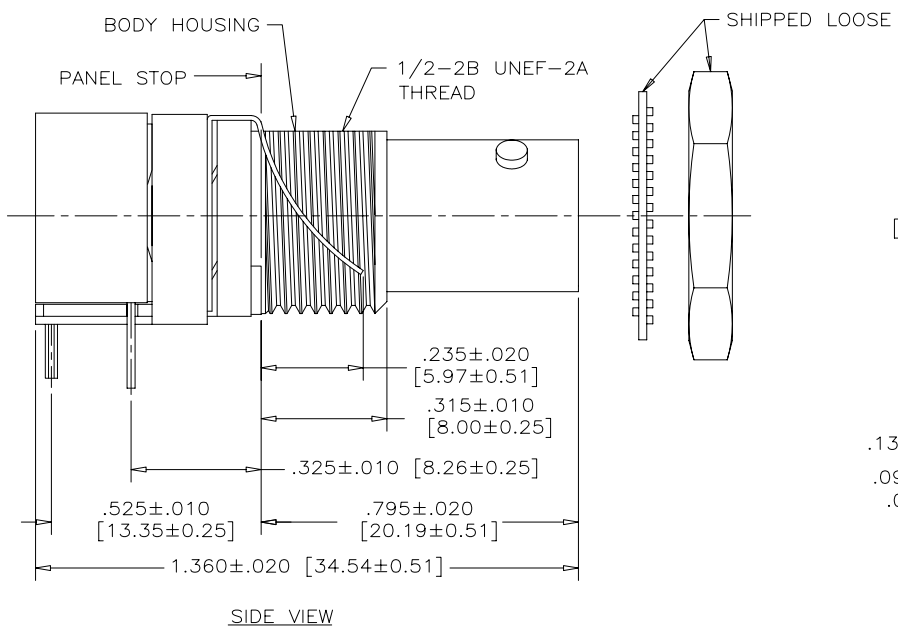


REVISIONS			
REV	ECN, ERN NO.	DATE	APPRD.
A	PRODUCT DRAWING (EAR 12935)	MAR30/06	K.L.



MECHANICAL SPECIFICATION:

ALL MATERIALS ARE RoHS COMPLIANT

BODY HOUSING: THERMOPLASTIC POLYESTER

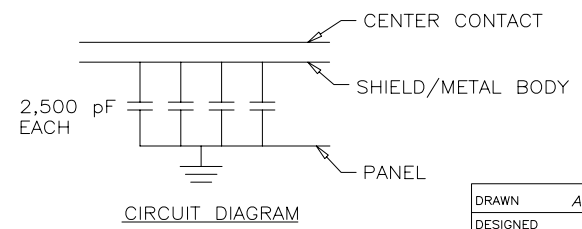
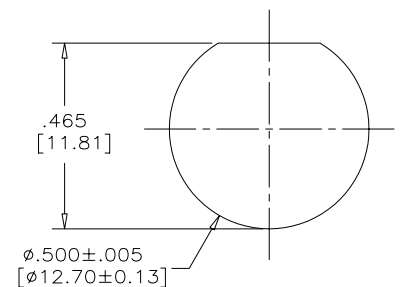
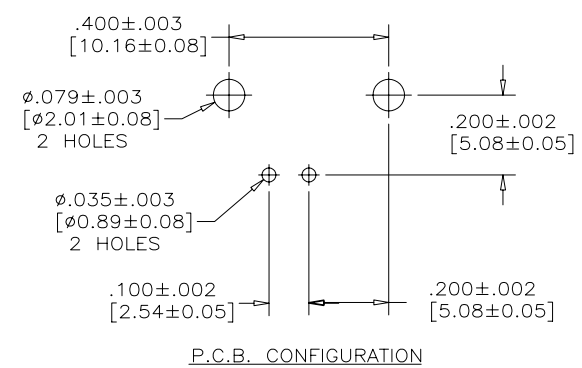
GROUNDING DEVICE: COPPER ALLOY, TIN PLATED

CENTRE CONTACT: PHOSPHOR BRONZE, 10µ" [0.25 MICRONS] GOLD PLATED OVER NICKEL WITH TIN ON P.C.B. TAILS

METAL BODY: HIGH STRENGTH ZINC DIECAST NICKEL PLATED

ELECTRICAL SPECIFICATION:

CAPACITANCE	10000 pF ± 15%
DIELECTRIC WITHSTANDING VOLTAGE	1000 VDC 500 VRMS
WORKING VOLTAGE	200 VDC
IMPEDANCE (SEE PART NUMBER)	50 OR 75 OHM NOMINAL
OPERATING TEMPERATURE	-20°C TO +85°C



AMPHENOL PART NO.	IMPEDANCE
456E-117H	50 OHM
456E-717H	75 OHM

NOTE: BOARDLOCKS ARE ELECTRICALLY CONNECTED TO THE BODY.

THIS DOCUMENT CONTAINS PROPRIETARY INFORMATION AND SUCH INFORMATION MAY NOT BE DISCLOSED TO OTHERS FOR ANY PURPOSE OR USED FOR MANUFACTURING PURPOSES WITHOUT WRITTEN PERMISSION FROM AMPHENOL CANADA CORP.

DRAWN	A.CHENG	DATE	MAR30/06	Amphenol Canada Corp. TITLE 456E SERIES CAPACITIVELY DECOUPLED B.N.C. CONNECTOR, RIGHT ANGLE, 10,000 pF, WITH HARDWARE, RoHS COMPLIANT				
DESIGNED								
CHECKED	K.LAMBIE	DATE	MAR30/06					
I. E. APPRD.								
Q. A. APPRD.				DWG	DRAWING NO.	REV.		
DWG. APPRD.				C	P-456E-X17H	A		
ENG. REL. NO.				SCALE	4/1	WT.	SURF.	SHEET 1 OF 1
REF.	EAR 12935			DIMENSIONS ARE IN	INCHES [mm]	03554		