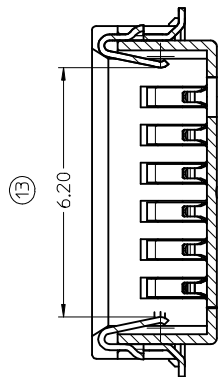
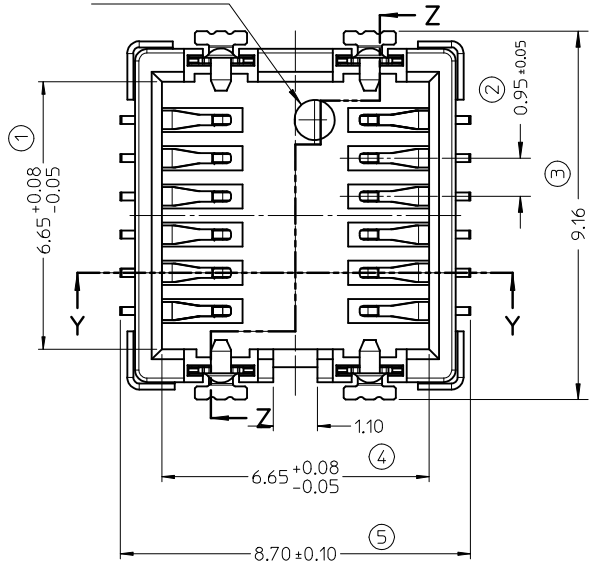


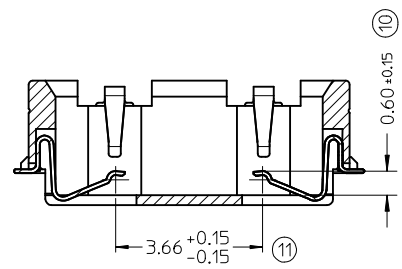
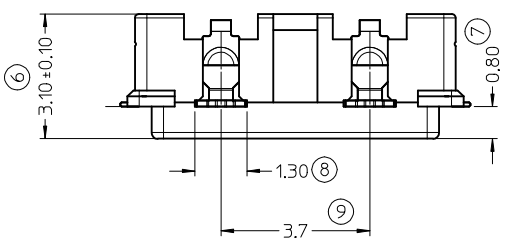
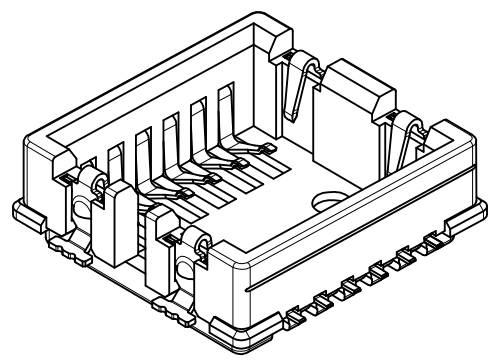
10 9 8 7 6 5 4 3 2 1

F  
E  
D  
C  
B  
A

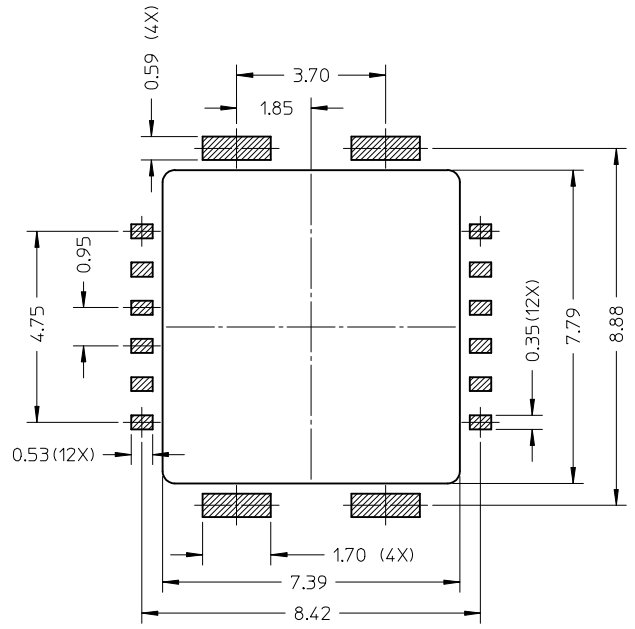
PIN1 MARK



SECTION Z-Z



SECTION Y-Y



RECOMMENDED PCB LAYOUT  
TOLERANCE:0.05mm

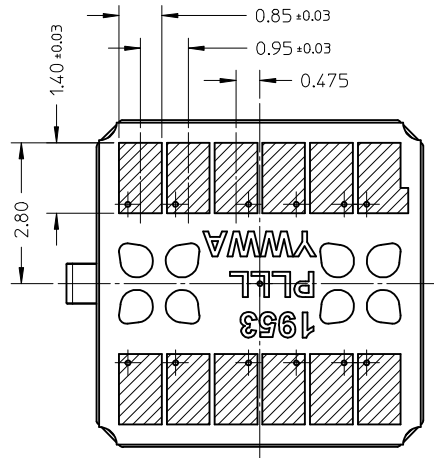
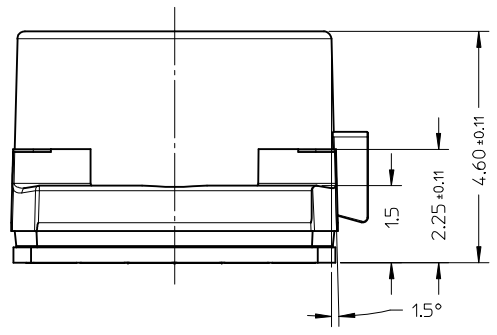
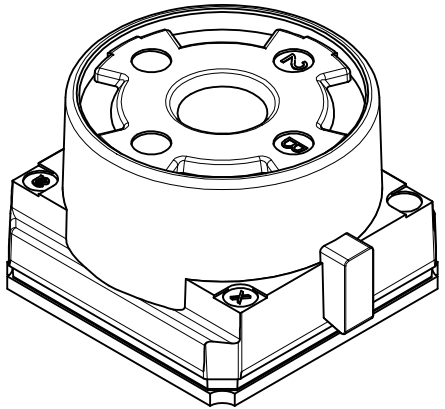
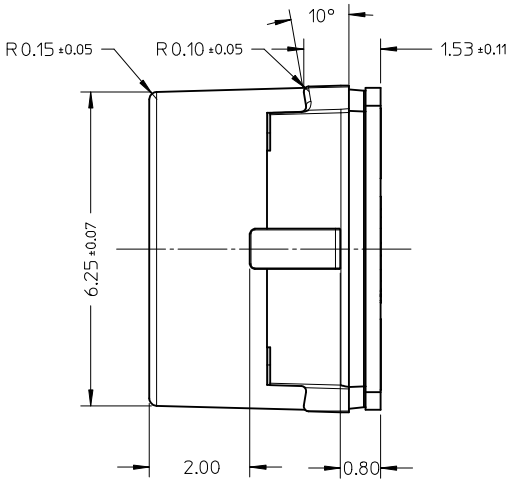
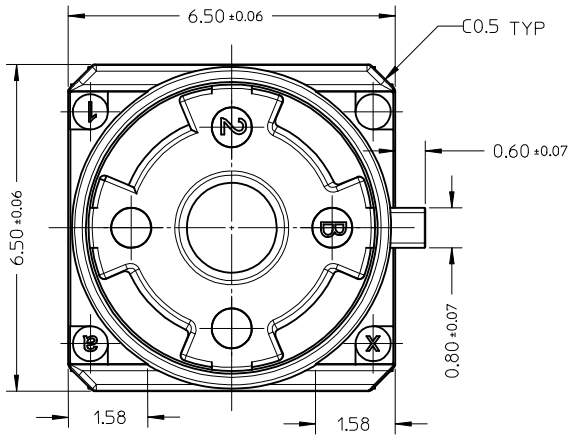
- NOTES:
- MATERIALS  
HOUSING: HIGH-TEMP THERMAL PLASTIC BLACK, UL94 V-0  
TERMINAL: COPPER ALLOY  
FITTING NAIL: COPPER ALLOY
  - FINISH  
TERMINAL: 2-4 MICROMETER NICKEL UNDERPLATING OVERALL,  
GOLD PLATING 0.3 MICROMETER ON CONTACT AREA,  
GOLD FLASH PLATING ON SOLDER AREA.  
FITTING NAIL: 2-4 MICROMETER NICKEL UNDERPLATING OVERALL,  
GOLD FLASH ON CONTACT AREA AND SOLDER TAIL
  - COPLANARITY 0.08mm MAX.FOR ALL TAILS. (12)
  - PRODUCT SPECIFICATION: PS-105163-001
  - PACKAGING: TAPE&REEL

RELEASED EC NO: SH2015-0045 DRWN:WJHUO 2014/04/29 CHKD: APPR:AYIN 2014/08/26	QUALITY SYMBOLS $\nabla_A=0$ $\nabla_C=0$ $\nabla_P=0$	GENERAL TOLERANCES (UNLESS SPECIFIED)		DIMENSION STYLE	SCALE	DESIGN UNITS	THIRD ANGLE PROJECTION	
				MM ONLY	8:1	METRIC		
		4 PLACES	± ---	± ---	DRAWN BY	DATE	TITLE	
		3 PLACES	± ---	± ---	WJHUO	2012/12/10	SMIA65 CAMERA SOCKET BOTTOM CONTACT 0.8MM MID-MOUNT	
2 PLACES	± 0.15	± ---	CHECKED BY	DATE	APPROVED BY			
1 PLACE	± 0.20	± ---	AYIN	2013/01/08	DATE			
0 PLACE	± ---	± ---	MATERIAL NO.		DOCUMENT NO.	SHEET NO.		
ANGULAR ± 3 °		DRAFT WHERE APPLICABLE MUST REMAIN WITHIN DIMENSIONS		1051631001		SD-105163-101		
				SIZE	THIS DRAWING CONTAINS INFORMATION THAT IS PROPRIETARY TO MOLEX INCORPORATED AND SHOULD NOT BE USED WITHOUT WRITTEN PERMISSION			
				A3				

9 8 7 6 5 4 3 2 1

10 9 8 7 6 5 4 3 2 1

# APPLIED MODULE



RELEASE EC NO: SH2015-0045 DRW: WJHUO CHKD: APPR: AYIN 2014/04/29 2014/08/26	QUALITY SYMBOLS F <sub>A</sub> =0 F <sub>B</sub> =0 F <sub>C</sub> =0	GENERAL TOLERANCES (UNLESS SPECIFIED)		DIMENSION STYLE <b>MM ONLY</b>	SCALE <b>10:1</b>	DESIGN UNITS <b>METRIC</b>	THIRD ANGLE PROJECTION		
		4 PLACES ± --- ± --- 3 PLACES ± --- ± --- 2 PLACES ± 0.15 ± --- 1 PLACE ± 0.20 ± ---	mm INCH ± --- ± --- ± 0.15 ± --- ± 0.20 ± ---	DRAWN BY WJHUO	DATE 2012/12/10	TITLE <b>SMA65 CAMERA SOCKET                  BOTTOM CONTACT                  0.8MM MID-MOUNT</b>			
		ANGULAR ± 3 °		APPROVED BY AYIN	DATE 2013/01/08	MOLEX INCORPORATED			
		DRAFT WHERE APPLICABLE MUST REMAIN WITHIN DIMENSIONS		MATERIAL NO. <b>1051631001</b>	DOCUMENT NO. <b>SD-105163-101</b>	SHEET NO. <b>2 OF 2</b>			

9 8 7 6 5 4 3 2 1