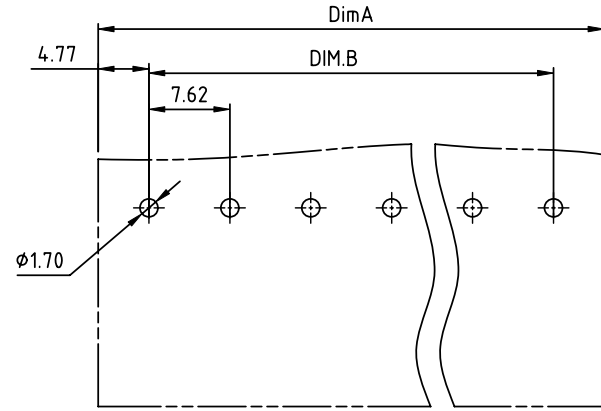
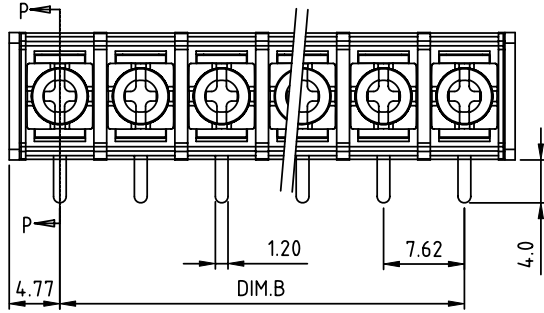
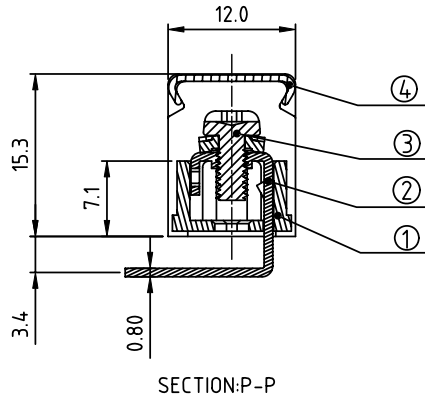
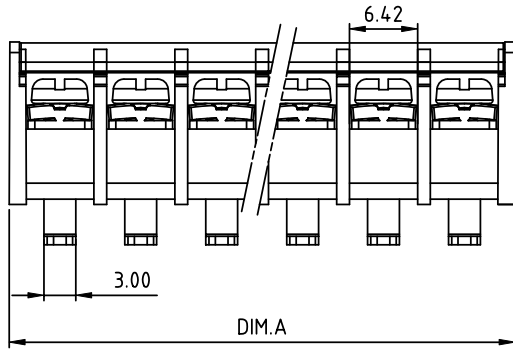


PRODUCT NUMBER	PITCH
YK301xx2x0J0G	7.62 mm



RECOMMENDED P.C.B LAYOUT



MATERIALS ELECTRICAL
 RATED VOLTAGE & CURRENT: 300 V, 15 A
 WITHSTAND VOLTAGE: AC 2000 V/Min
 INSULATION RESISTANCE: 1000 M Ω OR MORE AT DC 500 V
 OPERATING TEMPERATURE RANGE: -40 °C ~ +115 °C
 SCREW TORQUE VALUE: 5.2 Lb-In.
 WIRE RANGE: 14 ~ 22 AWG
 1) HOUSING: THERMOPLASTIC, UL 94 V-0 BLACK
 2) TERMINAL: BRASS, 0.8t
 3) TERMINAL SCREWS: STEEL, M3
 4) COVER: TRANSPARENT, PC
 APPROVAL: us

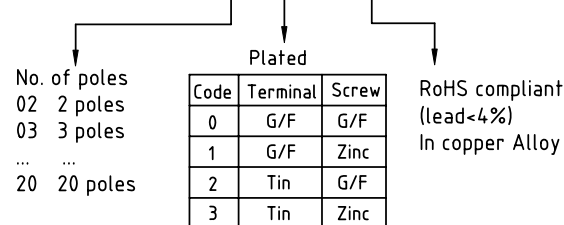
DIMENSION

Dim A	(N-1)×7.62+9.54
Dim B	(N-1)×7.62

N=Number of poles

Poles	Tolerance
2p-4p	±0.20
5p-10p	±0.30
11p-16p	±0.40
17p-20p	±0.50

PART NO.: YK 301xx 2 x 0 J0G



mat'l. code		surface ASME Y14.5	tolerance ASME Y14.5	projection 	product family TERMINAL BLOCK
ltr	ecn no	dr	date	tolerances unless otherwise specified	title TERMINAL BLOCK
				angles 	BARRIER TYPE, WITH COVER
				X°±1'	scale
		dr	HANKE FENG	060914	FCI
		enr	HANKE FENG	060914	dwg no YK301xx2x0J0G
		chr	HANKE FENG	060914	sheet 1 of 1 size A4
		appd	SHI JUN	060914	type CUSTOMER Drawing
sheet index	revision sheet	A	1		