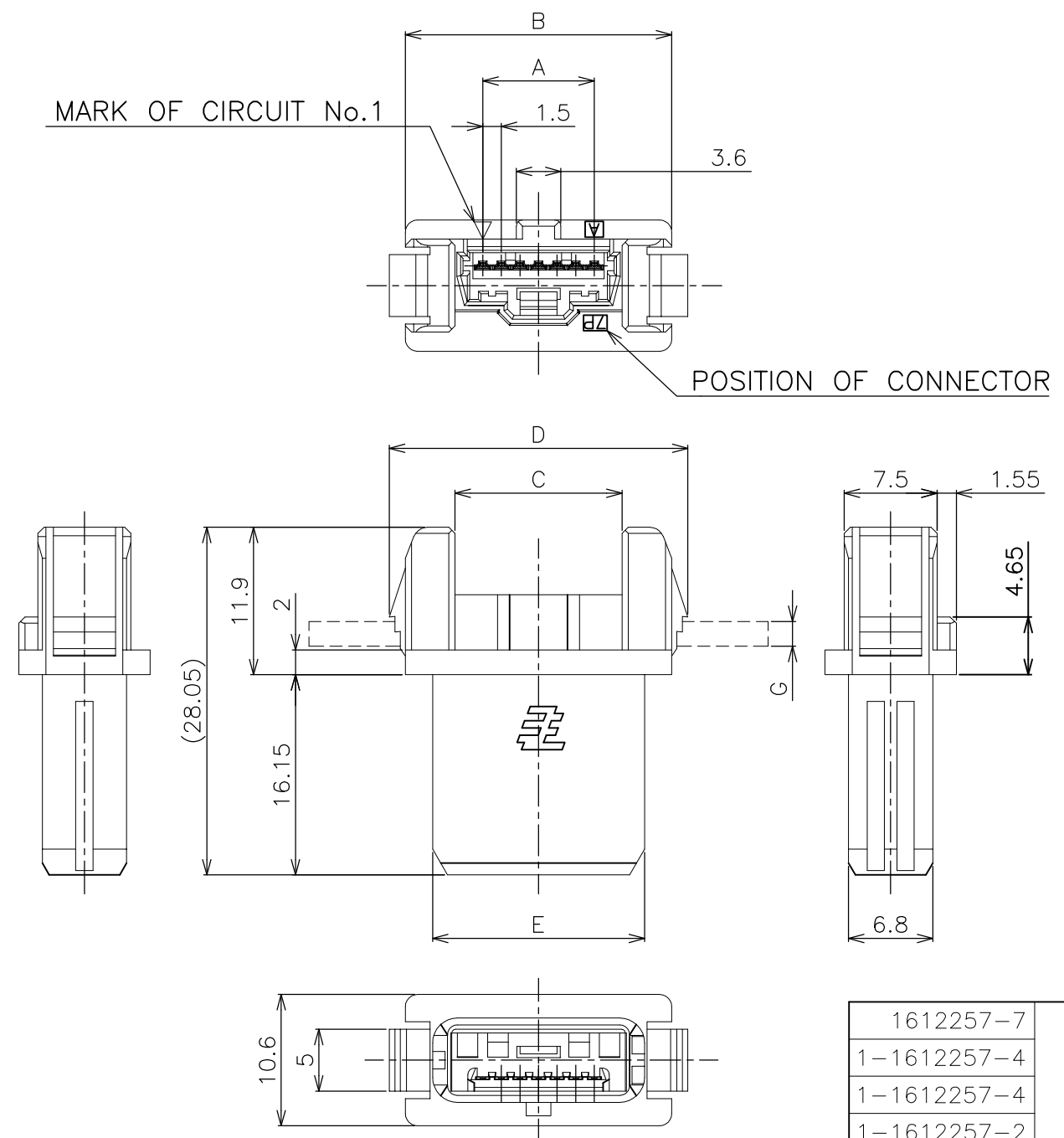


LOC	DIST	REVISIONS					
ES	00	P	LTR	DESCRIPTION	DATE	DWN	APVD
		F		REVISED ECR-10-010197	17JUN11	T.Q	S.Y

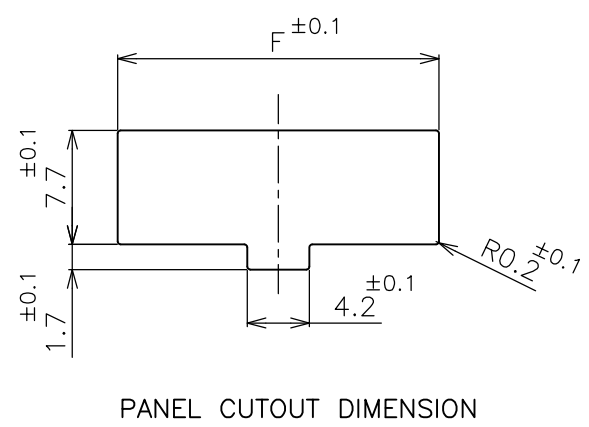
AS SHOWN : 1612256-7



NOTES

- USE WITH MINI CT MT TYPE P/N : X-353293-X (ASSY)  
 CRIMP TYPE P/N : 353907-1 (CONTACT)  
 353918-1(L/P) (CONTACT)  
 X-353908-X (HOUSING)
- MATERIAL HOUSING :PBT G.F. UL94 V-0, COLOR: BLACK  
 CONTACT :COPPER ALLOY
- FINISH CONTACT : NICKEL UNDER PLATED ALL OVER  
 CONTACT AREA : GOLD PLATED  
 POST AREA : Sn 100% PLATED
- THE PANEL SHOULD BE PUNCHED SO THAT THE HOUSING ENTERS THE PANEL IN THE SAME DIRECTION AS PUNCH.
- FLOATING DIMENSION : 0.5 MAX  
 (INCLUDE THE AMOUNT OF AXIAL GAPS)
- DIMENSION BETWEEN PANELS MUST BE SET 21.8-22.8mm.  
 (INCLUDE THE CLEARANCE BETWEEN CONNECTOR AND PANEL)
- GENERAL TOLERANCE  
 10 > ±0.2  
 30 > >10:±0.25  
 100 > >30:±0.3  
 ANGLES:±3°
- SEQUENTIAL CIRCUIT NO. IS SHOWN IN TABLE.

1612257-7			21.7	17.1	24.1	13.5	21.5	9.0	1	7	7-1612256-7
1-1612257-4			32.2	27.6	34.6	24.0	32.0	19.5	2 & 9	14	7-1612256-4
1-1612257-4	21.8	±0.1	32.2	27.6	34.6	24.0	32.0	19.5	3	14	1-1612256-4
1-1612257-2		OR	29.2	24.6	31.6	21.0	29.0	16.5	3	12	1-1612256-2
1-1612257-0			26.2	21.6	28.6	18.0	26.0	13.5	3	10	1-1612256-0
1612257-7			21.7	17.1	24.1	13.5	21.5	9.0	3	7	1612256-7
COUNTER MATING CONNECTOR P/N	H	G	F	E	D	C	B	A	SEQUENTIAL CIRCUIT No.	POS.	P/N
	DIMENSION BETWEEN PANELS		APPLIED PANEL THICKNESS					DIMENSIONS			



THIS DRAWING IS A CONTROLLED DOCUMENT.

DWN	H.HOSHINO	05AUG02	<b>TE</b> TE Connectivity
CHK	T.KUSUHARA	05AUG02	
APVD	I.ENOMOTO	05AUG02	
PRODUCT SPEC	108-5836		NAME
APPLICATION SPEC			PLUG ASSEMBLY MINI CT DC DRAWER SNAP-FIT SINGLE ROW TYPE
WEIGHT	A3 00779		SIZE
CUSTOMER DRAWING	C=1612256		CAGE CODE
	SCALE 2:1		DRAWING NO
	SHEET 1 OF 2		RESTRICTED TO
	REV F		

4

3

2

1

THIS DRAWING IS UNPUBLISHED.

RELEASED FOR PUBLICATION

AUG ,2002.

© COPYRIGHT 2002 BY TYCO ELECTRONICS CORPORATION. ALL RIGHTS RESERVED.

LOC

DIST

REVISIONS

ES

00

P

LTR

DESCRIPTION

DATE

DWN

APVD

-

-

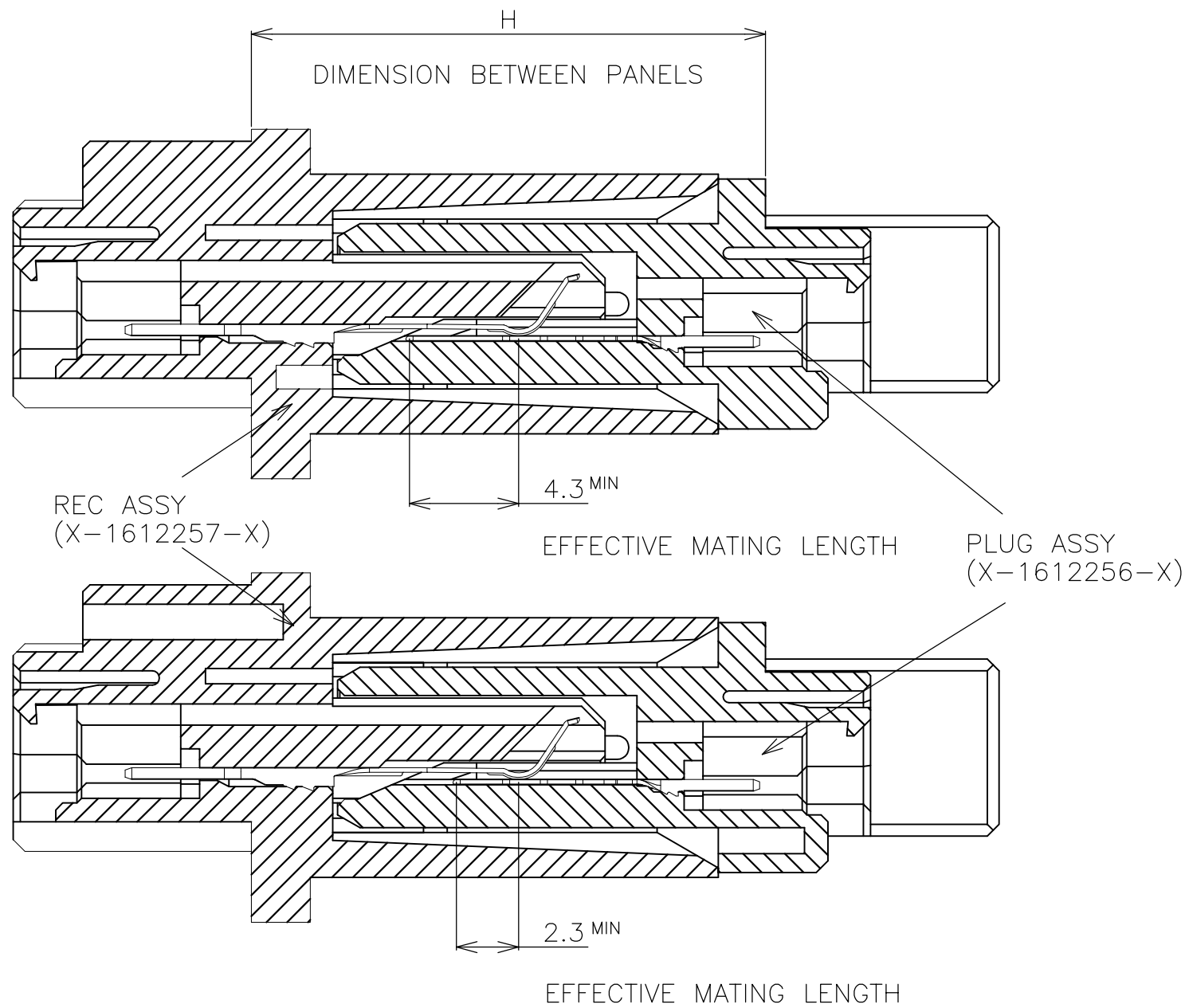
SEE SHEET 1

-

-

-

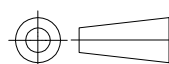
AS SHOWN : 1612256-7



CROSS SECTION

THIS DRAWING IS A CONTROLLED DOCUMENT.

DIMENSIONS:  
MM



TOLERANCES UNLESS OTHERWISE SPECIFIED:

0 PLC	±
1 PLC	±
2 PLC	±
3 PLC	±
4 PLC	±
ANGLES	±
FINISH	

MATERIAL

FINISH

DWN	/
CHK	/
APVD	/
PRODUCT SPEC	/
APPLICATION SPEC	/
WEIGHT	/
CUSTOMER DRAWING	/



NAME  
**PLUG ASSEMBLY**  
 MINI CT DC DRAWER SNAP-FIT  
 SINGLE ROW TYPE

SIZE	CAGE CODE	DRAWING NO	RESTRICTED TO
A3	00779	C-1612256	-
SCALE	SHEET	OF	REV
4:1	2	2	F