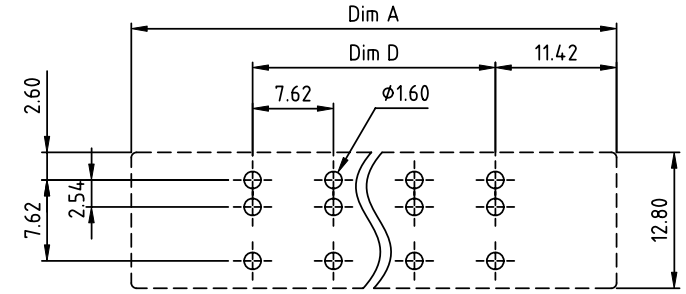
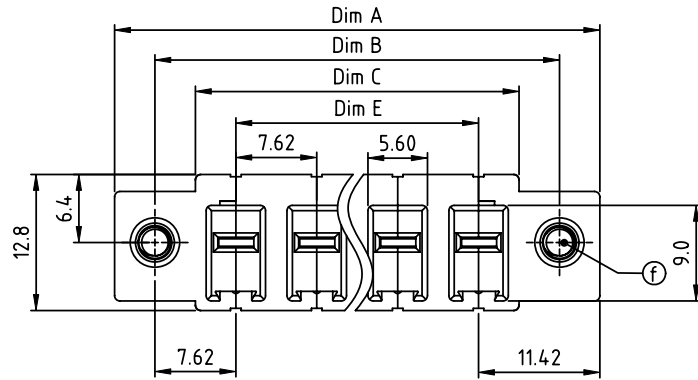
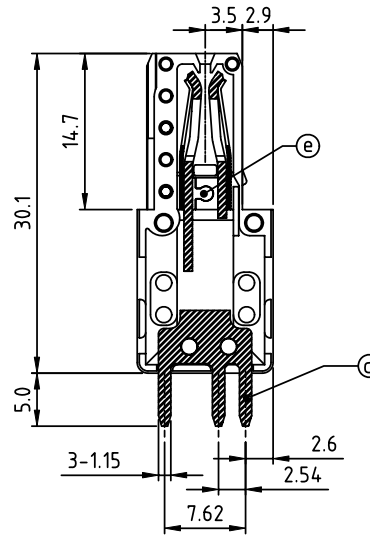
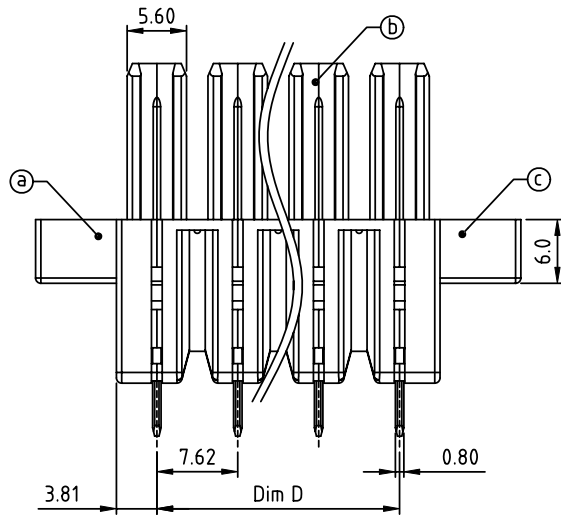


PRODUCT NUMBER	PITCH
KSxx02x000J0G	7.62 mm



RECOMMENDED P.C.B LAYOUT
TOP VIEW



Material:

- Item ① Left Cover :Thermoplastic (UL94 - V0)
- Item ② Middle Body :Thermoplastic (UL94 - V0)
- Item ③ Right Cover :Thermoplastic (UL94 - V0)
- Item ④ Pin: Copper Tin plated
- Item ⑤ Wire guard:Stainless Steel (ET 7.62)
- Item ⑥ Flange Nut: Steel, Zinc plated M3 (VC 7.62)

Electrical: cULus

- Voltage rating: 300V
- Current rating: 41A
- Withstanding Voltage:1.6 KV
- Operating temperature:-40°C to +115°C
- Soldering temperature:260°C±5°C/5 Sec
- Safety approval: cULus

N=Number of poles

Dim A	(N+2) × 7.62
Dim B	(N+1) × 7.62
Dim C	N × 7.62
Dim D	(N-1) × 7.62
Dim E	(N-1) × 7.62

Poles	Tolerance
2P-5P	±0.30
6P-8P	±0.35
9P-12P	±0.40
13P-16P	±0.50

PART NO.: KSxx02x000J0G

End stackable	0	Color	Black (RAL9005)	RoHS compliant	(lead<4%)
No. of poles	2		Red (RAL3001/D)	In copper Alloy	
02	2 poles	3	Orange(RAL2011/P)		
03	3 poles	4	Yellow(RAL1018/A)		
...	...	5	Green(RAL6018/T)		
16	16 poles	6	Blue (RAL5015/A)		
		8	Grey(RAL7035/D)		
		9	White(RAL1102)		
		C	Green(RAL6018/U)		

mat'l. code				surface ASME Y14.5	tolerance ASME Y14.5	projection	product family
ltr	ecn	no	dr	tolerances unless otherwise specified		MM	TERMINAL BLOCK
				angles	X.±0.5		title
				parallel	X.X±0.3	scale	TERMINAL BLOCK
				X'±1"	X.XX±0.1		PLUGGABLE PLUG, WITH SOLDER PIN, VERTICAL
				dr	EVIN ZHONG 050614	FCI	sheet 1 of 1
				enr	EVIN ZHONG 050614		size
				chr	HANKE FENG 050614		A4
				appd	SHI JUN 050614		type
sheet index	revision	A		CUSTOMER Drawing			
	sheet	1					