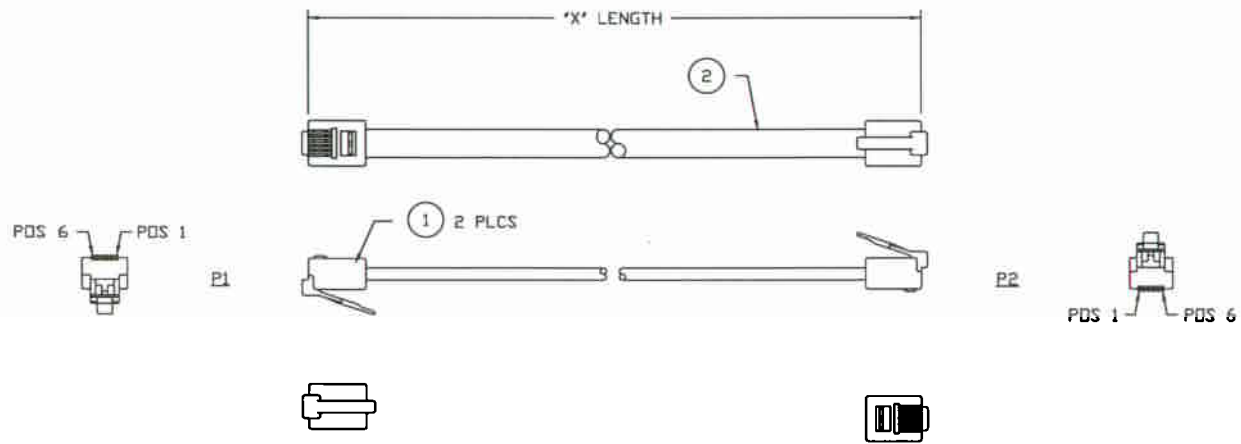


THESE DRAWINGS AND SPECIFICATIONS ARE THE SOLE PROPERTY OF I/O INTERCONNECT INC., U.S.A. AND SHALL NOT BE REPRODUCED, COPIED, OR USED IN ANY MANNER WITHOUT THE PRIOR WRITTEN CONSENT OF I/O INTERCONNECT INC. OR ITS AFFILIATED SUBSIDIARIES.

DWG. NO.	ZONE	REV.	DESCRIPTION	DATE	APPROVED
XX6-500-D		C	ECN C285	08/07/01	K.C.
		D	ADD NOTE & CHANGE P/N TO ROHS COMPLIANT PER ECN D830	04/21/05	M.G.



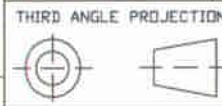
WIRE DIAGRAM

P1		P2
1	WHITE	1
2	BLACK	2
3	RED	3
4	GREEN	4
5	YELLOW	5
6	BLUE	6

NOTES: UNLESS OTHERWISE SPECIFIED.

- CABLE TO BE BUNDLED AND TWIST TIED.
- TEST CABLE FOR ALL OPENS & SHORTS.
- PACKAGE CABLE ASSEMBLY INDIVIDUALLY IN PLASTIC BAG. PACKAGE INDIVIDUAL BAG PER LOT NUMBER QUANTITIES.
- MARK OUTSIDE SHIPPING BOX WITH CUSTOMER PART NUMBER.
- PLACE BAR CODE LABEL ON THE OUTSIDE OF EACH SHIPPING BOX LABEL DETAIL SEE DWG 090-990-001.
- ALL METRICAL SHOULD BE ROHS COMPLIANT.

H2663-25-ND	GLF-466-256-500-D	25.0 FT ± 4.0 IN 7.62 M ± 101.6 MM
H2663-14-ND	GLF-466-146-500-D	14.0 FT ± 3.0 IN 4.27 M ± 76.2 MM
H2663-07-ND	GLF-466-076-500-D	7.0 FT ± 2.0 IN 2.13 M ± 50.8 MM
PART NUMBER DIGI-KEY	PART NUMBER I/O INTERCONNECT	LENGTH "X"



**I/O INTERCONNECT**  
SANTA ANA, CALIFORNIA

UNLESS OTHERWISE NOTED:  
1) DIMENSIONS ARE IN INCHES (MILLIMETER)  
2) TOLERANCES:  
XXX ± 0.25 (6.35)

DR BY JERRY BIR	DATE 04/21/05	TITLE 6P6C MODULAR, REVERT STYLE, SILVER SATIN, CABLE ASSEMBLY P/N H2663-XX-ND
DR CHECKED		PART NO. GLF-466-XX6-500-D
REV.		DWG NO. GLF-466-XX6-500-D
DESIGNER		CUSTOMER DIGI-KEY
DWG/ANLZD		REV. D
SA		SCALE NONE
		SHEET 1 OF 1

ITEM	QTY	MFG.	IOI PART NO.	DESCRIPTION
2	"X"	IOI	GLF-120-610-000	MODULAR CABLE, 26 AWG (7/34) BARE COPPER, 6 CONDUCTOR, UNSHIELDED, SILVER SATIN PVC. ROHS COMPLIANT.
1	2 PCS	IOI	GLF-325-661-50X	CONNECTOR, MODULAR PLUG, 6 POSITION, 6 CONDUCTOR, 50u' Au, FLAT TYPE EXIT. ROHS COMPLIANT.

CABLE ASSEMBLY PARTS LIST