

RAFIX 16 F - Signal indicator, flush lens, collar metallized, round
1.65.126.011/1400

General information

| | |
|-----------------|--------------------|
| Form of lens | flat lens |
| Color of lens | transparent yellow |
| Form of collar | round |
| Color of collar | silver metallic |

Dimensions

| | |
|-----------------------------------|------------|
| Collar dimensions | ø 28 mm |
| Overall height | 1.9 mm |
| Mounting depth with contact block | 50 mm |
| Key grid | 30 x 30 mm |
| Mounting hole | ø 22.3 mm |

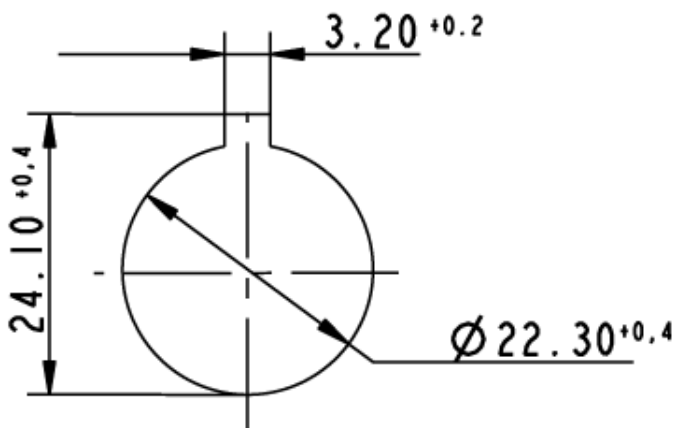
Mechanical design

| | |
|------------------|----------|
| Mounting | ring nut |
| Contact function | - |
| Illumination | yes |

Other specifications

| | |
|---|--|
| Operating life (operations) | - cycle |
| Degree of protection from front side | IP65 (DIN EN 60529) |
| Operation temperature min. | -25 °C |
| Ambient temp. operating max. without lamp / LED | - °C |
| Ambient temp. operating max. with lamp /LED | +55 °C |
| Storage temperature min. | -40 °C |
| Storage temperature max. | +85 °C |
| Environmental resistance | acc. to IEC 60068-2-14, -30, -33 and -78 |
| ROHS compliant | yes |
| REACH compliant | yes |

Panel cut-out to IEC 60947-5-1



Technical data are approximate and intended solely for general orientation in the selection of a product. Subject to modifications and errors. Images and other graphics may only be similar. For more information, refer to www.rafi.de chapter Imprint / Data Protection.

