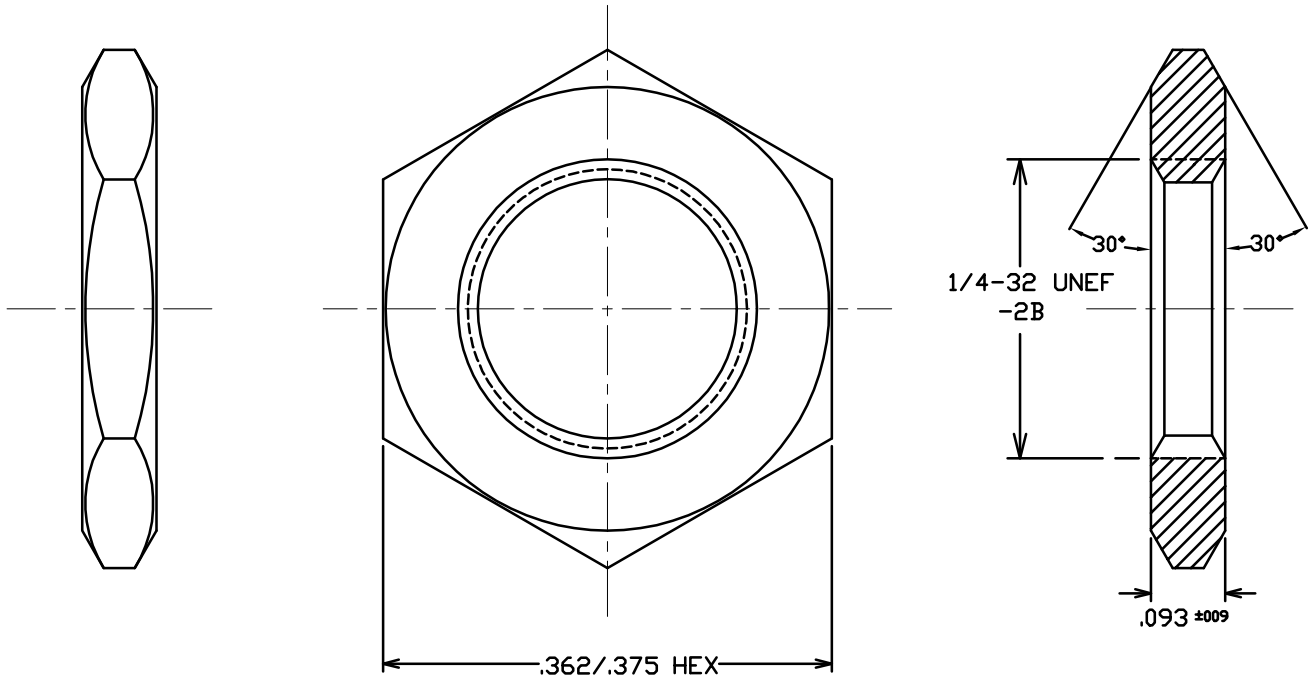


UNIT : INCH



MAT'L : BRASS

CTS

COMPONENTS TAIWAN LTD.
KAOHSIUNG, TAIWAN

CAD LIST : ACAD(A)-CATALOGUE-82
FILE NAME : 270-50-003-06-01

PART NO. 270-50-003-06-01

REV

CUSTOMER :

SCALE : NA

TOLERANCE UNLESS OTHERWISE
SPECIFIED

DRAWN BY : S.S.Chen

APPROVED BY :

CTS TYPE : NUT

.XXX (3 PLACE) : ± .003
ANGLE : ± 5°

CHECKED BY :

ISSUED DATE : 05-09-14'