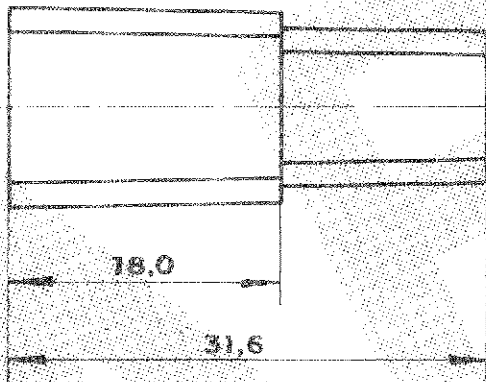
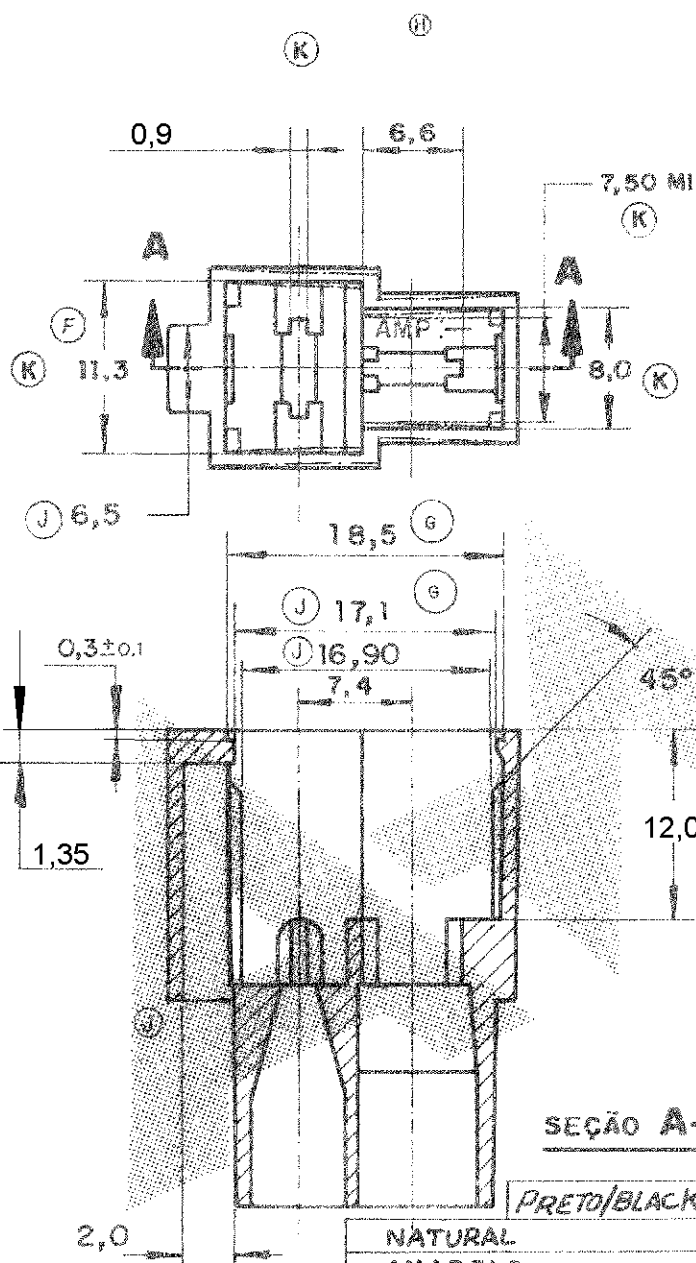


DO NOT SCALE
DIMENSIONS IN MM.

METRIC

3rd ANGLE PROJECTION



(K) 1 - PAREDES NÃO ESPECIFICADAS 1,0
UNSPECIFIED WALL THK 1,0

(2) - PA 6.6 NATURAL, MATERIAL ACC. TO SPEC.
IEC 60335-1, GWT 750°C, WITHOUT FLAME.

(3) ESTABILIZADO AO CALOR
HEAT STABILIZED

(4) OBSOLETE PARTS: OBSOLETE CIS
STREAMLINING PER D.RENAUD/D.SINISI

SEÇÃO A-A

(B) OBSOLETO	NATURAL	PA 6.6 (3)	- 9
	AMARELO	NYLON 6.6 VO (2)	- 8
	VERMELHO		- 7
	PRETO		- 6
	AMARELO TINGIDO	NYLON 6,6	- 5
	VERMELHO TINGIDO		- 4
	PRETO TINGIDO		- 3
	NATURAL	FEITO DO-1	- 2
		NYLON 6,6	880 310 - 1

OTHER TREATMENT	FINISH	MATERIAL	PART NUMBER
-----------------	--------	----------	-------------

CUSTOMER DWG
for REFERENCE ONLY

P	REVISED BY ECO-12-002341	HC	WLS	06FEB12
N2	REVISED PER ECO-11-005139	RK	HMR	28MAR11
ISS	REVISION RECORD	DR	APR	DATE

TOLERANCES UNLESS OTHERWISE STATED
DEC ±0.3
ANGLES ±1°
DR: *[Signature]*
CHK: *[Signature]* 06/30/83

INS DIA. RANGE WIRE RANGE SCALE

STE TF Connectivity

DESCRIPTION
2 WAY .250 S. FASTIN-ON TAB HSG.

DWG NO: A4 C 880 310

SHEET 1 OF 1