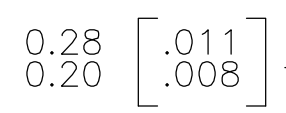
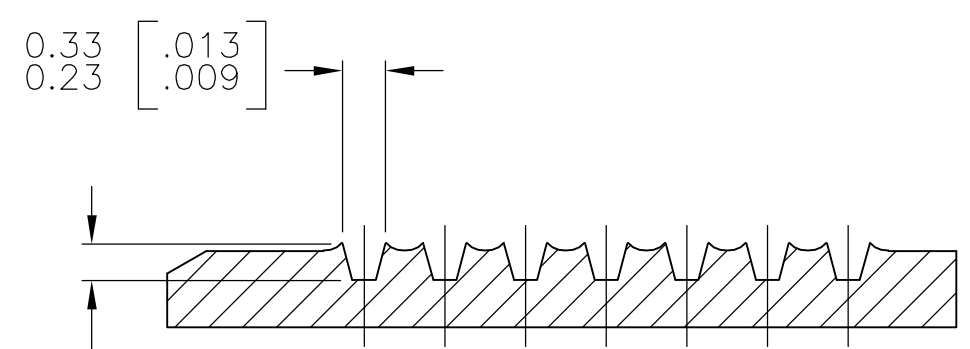
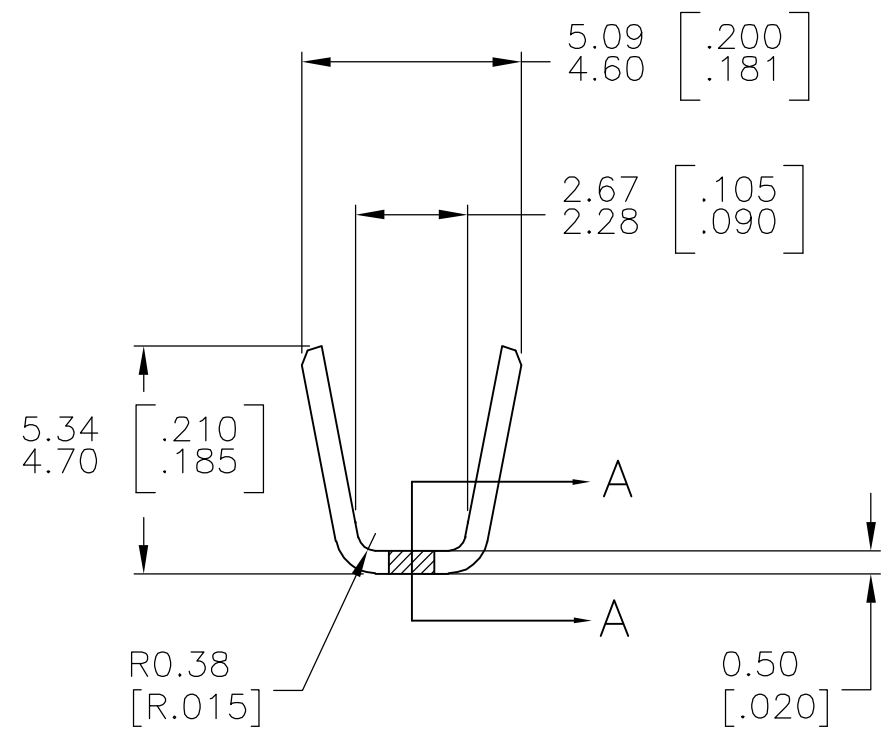
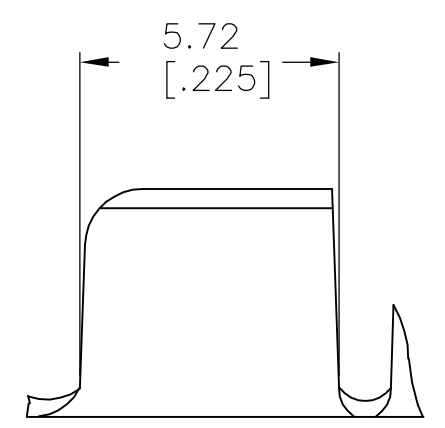
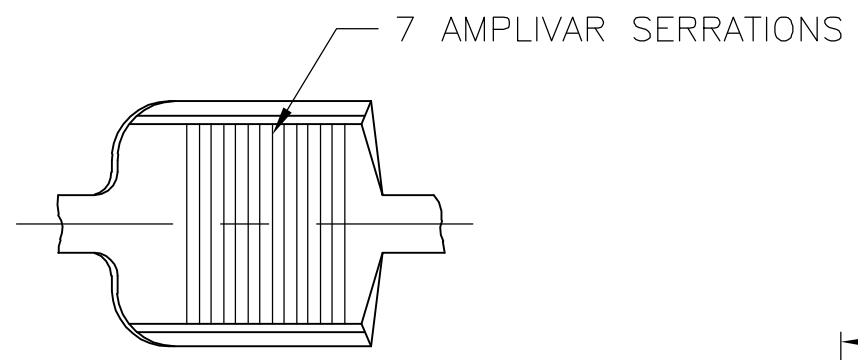


THIS DRAWING IS UNPUBLISHED. RELEASED FOR PUBLICATION  
 © COPYRIGHT BY TYCO ELECTRONICS CORPORATION. ALL RIGHTS RESERVED.

LOC	DIST	REVISIONS					
AF	50	P	LTR	DESCRIPTION	DATE	DWN	APVD
			B1	ECR-06-023927(REDRAWN IN AUTOCAD)	10NOV06	HMR	GP



SECTION A-A  
SCALE 20:1

- 1 CONTINUOUS STRIP ON REELS.
- 2 DIMENSIONS IN BRACKETS ARE IN INCHES.
- 3 WIRE RANGE: 3000-7000 CMA.

TIN	62201-2
NONE	62201-1
FINISH	PART NO

THIS DRAWING IS A CONTROLLED DOCUMENT.		DWN	RAGHAVENDRA	10NOV06	<b>tyco</b> Tyco Electronics Corporation Harrisburg, PA 17105-3608		
DIMENSIONS: mm [INCHES]		CHK	G.D.PORTA	-	APVD G.D.PORTA		
TOLERANCES UNLESS OTHERWISE SPECIFIED:		PRODUCT SPEC	NAME				
0 PLC ± -		APPLICATION SPEC	SPLICE, AMPLIVAR 7 SERRATIONS				
1 PLC ± -		SIZE	A3	CAGE CODE	00779	DRAWING NO	C-62201
2 PLC ± -		RESTRICTED TO	-				
3 PLC ± 0.38 [0.015]		WEIGHT	-				
4 PLC ± -		CUSTOMER DRAWING	SCALE 6:1 SHEET 1 OF 1 REV B1				
ANGLES ± 1° 0'							
MATERIAL	BRASS	FINISH	SEE TABLE				