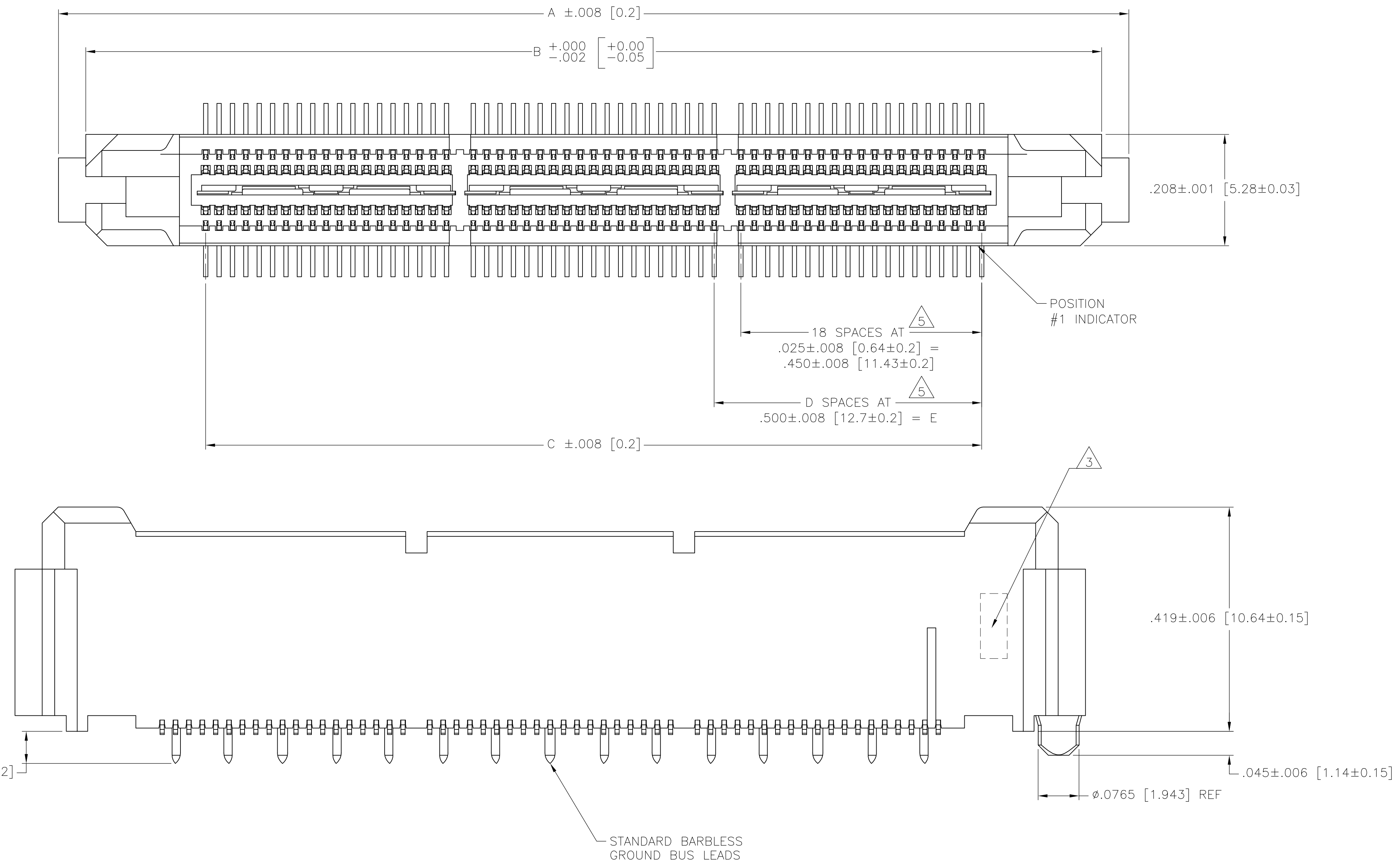
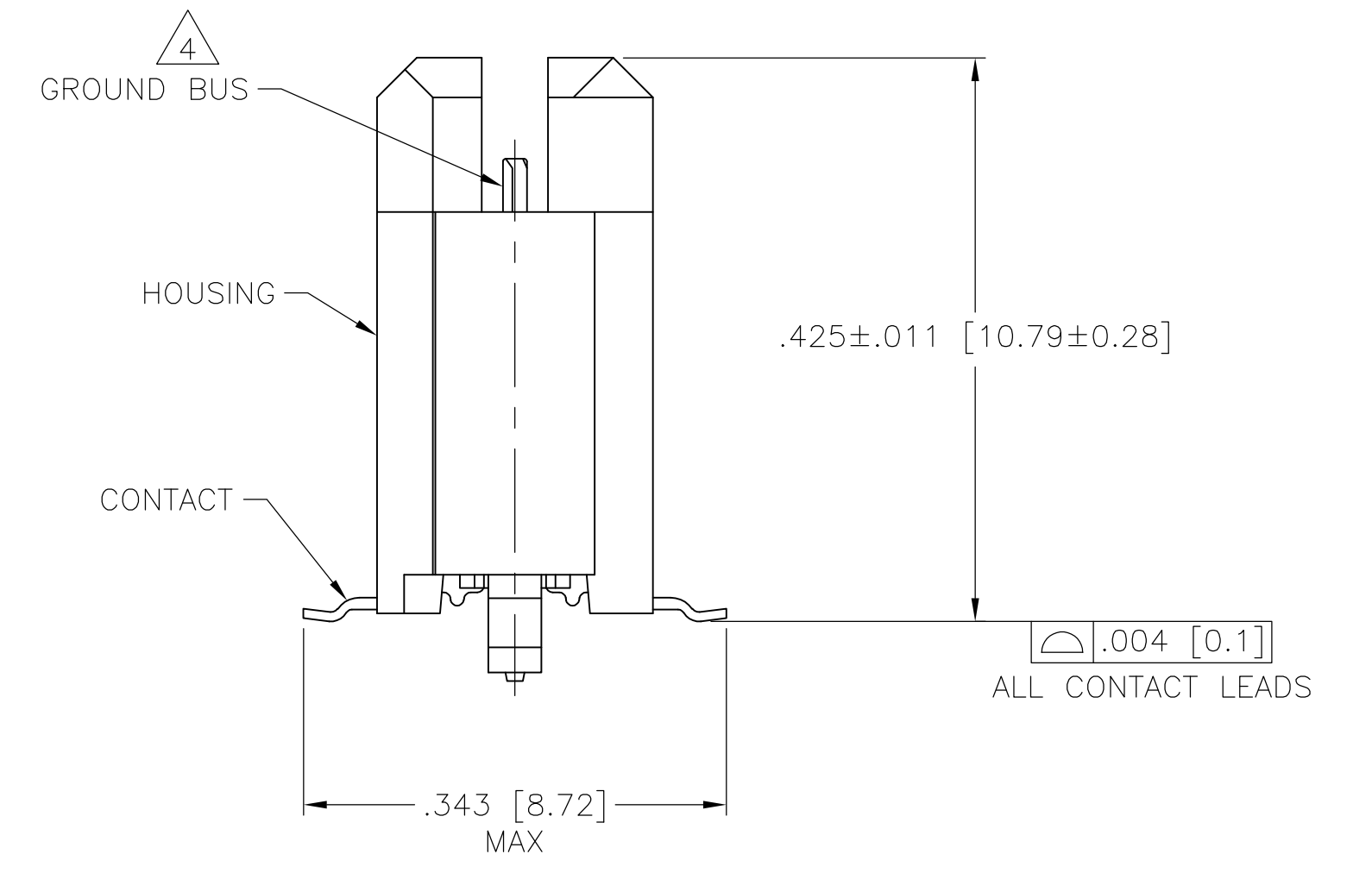


LOC		DIST		REVISIONS				
AD	00	REV	DATE	DESCRIPTION	DATE	BY	CHK	APPV
B2	REVISED PER	ECO-12-007590	19JUL12					



- 1 HOUSING: LIQUID CRYSTAL POLYMER, BLACK.
CONTACTS: HIGH RELIABILITY COPPER ALLOY.
GROUND BUSES: BRASS, UNS C26000
- 2 CONTACTS & GROUND BUSES: NICKEL UNDERPLATE ALL OVER,
MATING SURFACE PLATED TO MEET LEVEL 1 PERFORMANCE
REQUIREMENTS OF TE PRODUCT SPECIFICATION 108-1422,
SOLDER TAILS PLATED MATTE TIN.
- 3 DATE CODE MARKED IN AREA INDICATED ON SIDE OPPOSITE
POSITION #1.
- 4 ONE GROUND BUS WITH 5 TAILS PER EACH MODULE.
- 5 TOLERANCE NON-ACCUMULATIVE.
- 6 FOR STANDARD APPLICATIONS, ORIENTATION HOLE TO BE
∅.094 ± .002 [2.39 ± 0.05].
FOR SLIP-FIT APPLICATIONS, ORIENTATION HOLE TO BE
∅.079 ± .001 [2.00 ± 0.03].
- 7 CONNECTORS PACKAGED ON 13 INCH DIA REELS PER EIA 481.
- 8 NOT RELEASED FOR PRODUCTION.



SEE SHEET 2 FOR RECOMMENDED PC BOARD LAYOUT AND PACKAGING DETAIL

8	YES	3.465 [88]	2.000 [50.8]	4	2.450 [62.23]	2.898 [73.61]	3.000 [76.2]	190	1-5767183-2
	YES	3.465 [88]	1.500 [38.1]	3	1.950 [49.53]	2.398 [60.91]	2.500 [63.5]	152	1-5767183-1
	YES	2.835 [72]	1.000 [25.4]	2	1.450 [36.83]	1.898 [48.21]	2.000 [50.8]	114	1-5767183-0
8	YES	2.205 [56]	.500 [12.7]	1	.950 [24.13]	1.398 [35.51]	1.500 [38.1]	76	5767183-9
8	YES	1.732 [44]	.000 [0]	0	.450 [11.43]	.898 [22.81]	1.00 [25.4]	38	5767183-8
8	NO	3.465 [88]	2.000 [50.8]	4	2.450 [62.23]	2.898 [73.61]	3.000 [76.2]	190	5767183-5
8	NO	3.465 [88]	1.500 [38.1]	3	1.950 [49.53]	2.398 [60.91]	2.500 [63.5]	152	5767183-4
8	NO	2.835 [72]	1.000 [25.4]	2	1.450 [36.83]	1.898 [48.21]	2.000 [50.8]	114	5767183-3
8	NO	2.205 [56]	.500 [12.7]	1	.950 [24.13]	1.398 [35.51]	1.500 [38.1]	76	5767183-2
8	NO	1.732 [44]	.000 [0]	0	.450 [11.43]	.898 [22.81]	1.00 [25.4]	38	5767183-1
	VACUUM COVER INCLUDED	F	E	D	C	B	A	NO OF POSN	PART NUMBER

THIS DRAWING IS A CONTROLLED DOCUMENT.

DIMENSIONS: INCHES[mm]	TOLERANCES UNLESS OTHERWISE SPECIFIED:	0 PLC ± -	1 PLC ± -	2 PLC ± -	3 PLC ± .005 [0.13]	4 PLC ± -	ANGLES ± -
------------------------	--	-----------	-----------	-----------	---------------------	-----------	------------

MATERIAL	FINISH	DATE	BY	CHK	APPV
1	2	27 OCT 04	FERNANDEZ	DIXON	DIXON

STE TE Connectivity

PLUG ASSEMBLY, .430 [10.92] VERTICAL, .025 [0.64] CL, GULL WING LEADS, POCKET TAPE PACKAGED, MICTOR

114-11004

SIZE: A1

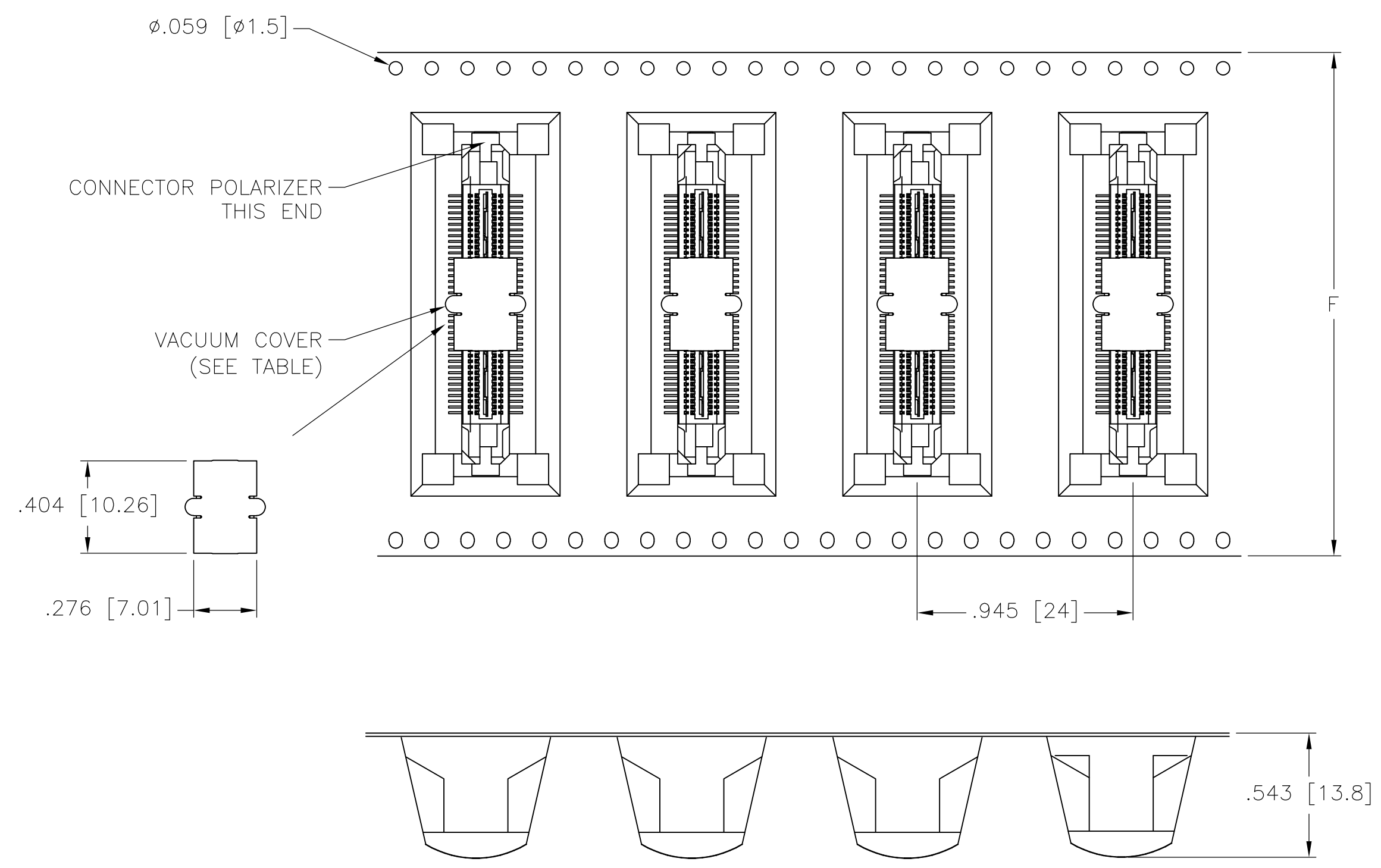
WEIGHT: 00779

CUSTOMER DRAWING

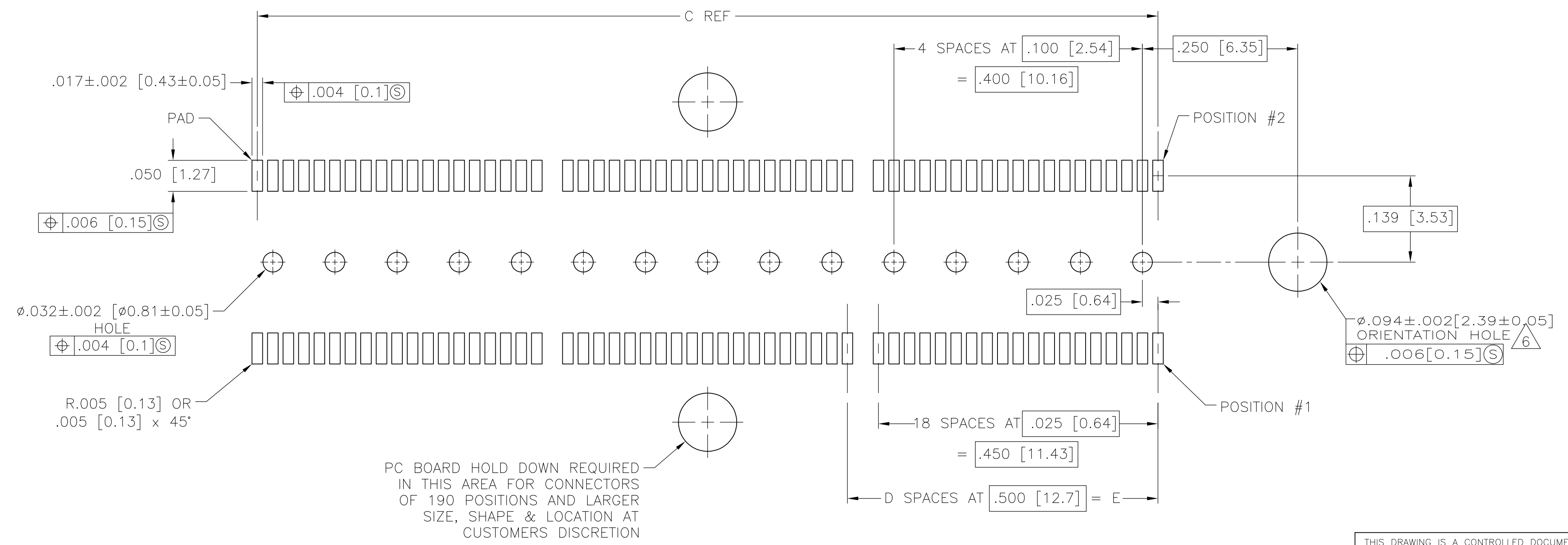
SCALE: 8:1

SHEET: 1 OF 2

REV: B2



PACKAGING DETAIL $\triangle 7$
SCALE 2:1
DIMENSIONS ARE FOR REFERENCE



PC BOARD HOLD DOWN REQUIRED IN THIS AREA FOR CONNECTORS OF 190 POSITIONS AND LARGER SIZE, SHAPE & LOCATION AT CUSTOMERS DISCRETION

RECOMMENDED PC BOARD LAYOUT
(VIEWED FROM CONNECTOR SIDE)

THIS DRAWING IS A CONTROLLED DOCUMENT.		DIN	FERNANDEZ	27 OCT 04	TE Connectivity
DIMENSIONS: INCHES[mm]		CHK	DIXON	27 OCT 04	
TOLERANCES UNLESS OTHERWISE SPECIFIED:		APP'D	DIXON	27 OCT 04	NAME
0. PLC	± -	PRODUCT SPEC		108-1422	PLUG ASSEMBLY, .430 [10.92] VERTICAL, .025 [0.64] CL, GULL WING LEADS, POKET TAPE PACKAGED, MICTOR
1. PLC	± -	APPLICATION SPEC		114-11004	
2. PLC	± -	MATERIAL		1	SIZE: A1 CAGE CODE: 00779 DRAWING NO: 5767183 RESTRICTED TO: -
3. PLC	± .005 [0.13]	FINISH		2	
4. PLC	± -	WEIGHT		-	CUSTOMER DRAWING SCALE: 8:1 SHEET 2 OF 2 REV B2
ANGLES	± -	CUSTOMER DRAWING		-	