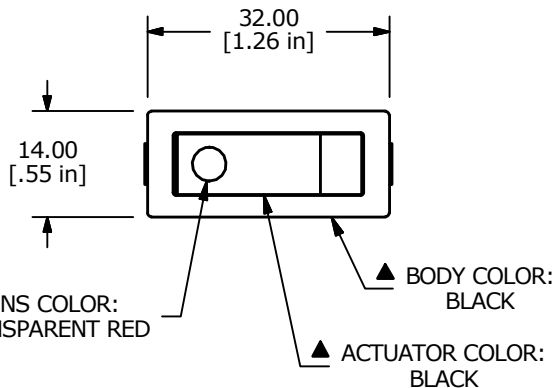
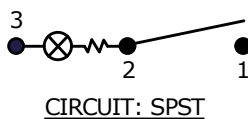


**PANEL CUTOUT**

PANEL THICKNESS	(x)
0.75 - 1.25	30.0
1.25 - 2.00	30.4
2.00 - 3.00	30.7

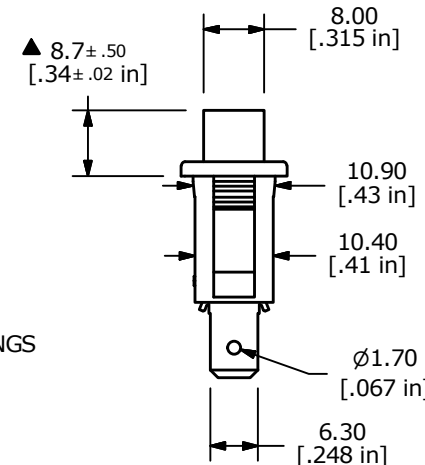
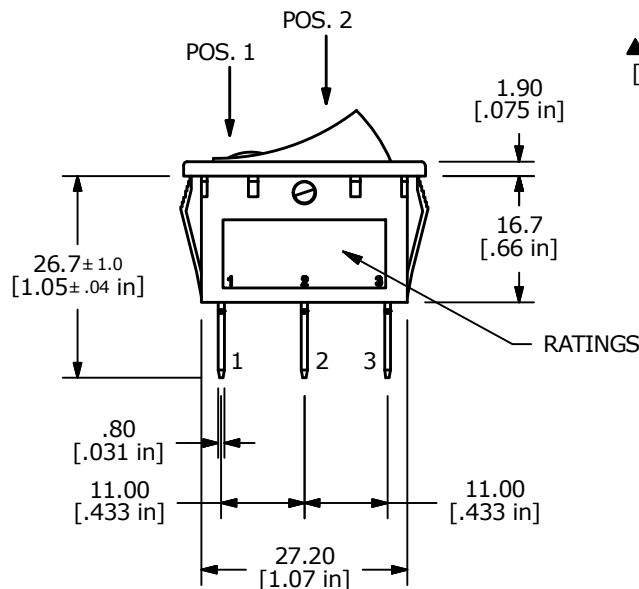
**SWITCH FUNCTION**

POS. 1	POS. 2
OFF	ON
NONE	2-1



**NOTE:**

1. DIMENSIONS IN MM [INCH]
2. GENERAL TOLERANCE: X.X = ± 0.4  
X.XX = ± 0.25
3. TERMINAL NUMBERS FOR REF ONLY
4. CONTACT MATERIAL: SILVER
5. CONTACT RATINGS:  
ANSI/UL 1054 AND CAN/CSA C22.2 NO.55 (E194579):  
15A @ 125VAC [cURus]  
7.5A @ 250VAC [cURus]  
EN 61058-1:2002+A2 (SE/09138-1):  
16(4)A 250V~ 1E4 T125/55 [ENEC14, SEMKO]
6. CONTACT RESISTANCE: 35mΩ MAX. @ 50VAC INITIAL
7. INSULATION RESISTANCE: 100MΩ MIN. @ 500VDC
8. DIELECTRIC STRENGTH: 1,500VAC FOR 1 MINUTE
9. ELECTRICAL LIFE: 6,000 CYCLES [cURus]  
10,000 CYCLES [ENEC10, SEMKO]
10. OPERATING TEMPERATURE: -20°C to 85°C [cURus]  
-20°C to 125°C [ENEC14, SEMKO]
11. ILLUMINATION VOLTAGE: 12V LED
12. ▲ DENOTES CRITICAL PARAMETER
13. 2011/65/EU (ROHS) COMPLIANT



C	22686	updated to 12V LED and redrawn	1/25/17	MW
B	19891	changed VDE approval to Semko approval	5/3/11	CAB
A	00037	INITIAL RELEASE	7/23/09	CAB
REV	PCR NO	DESCRIPTION	DATE	BY



TITLE <b>RB141C1100-214</b>				
SCALE	DATE	DR	DWG	REV
1:1	5/3/2011	MW	38-RB141C1100214	C

THE INFORMATION CONTAINED IN THIS DOCUMENT IS PROPRIETARY TO E-SWITCH AND IS NOT TO BE COPIED OR TRANSFERRED