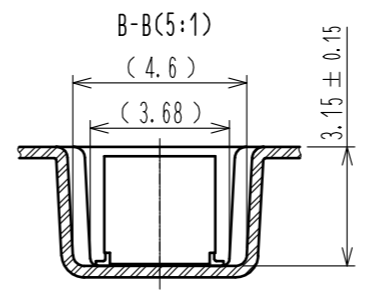
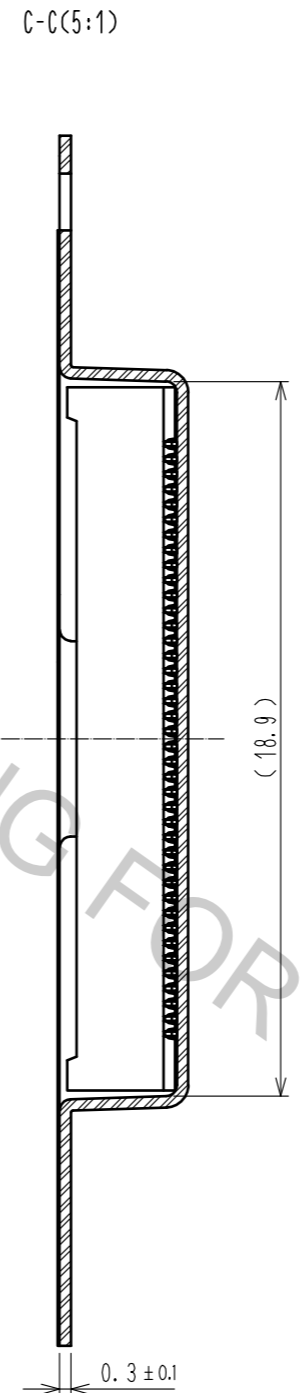
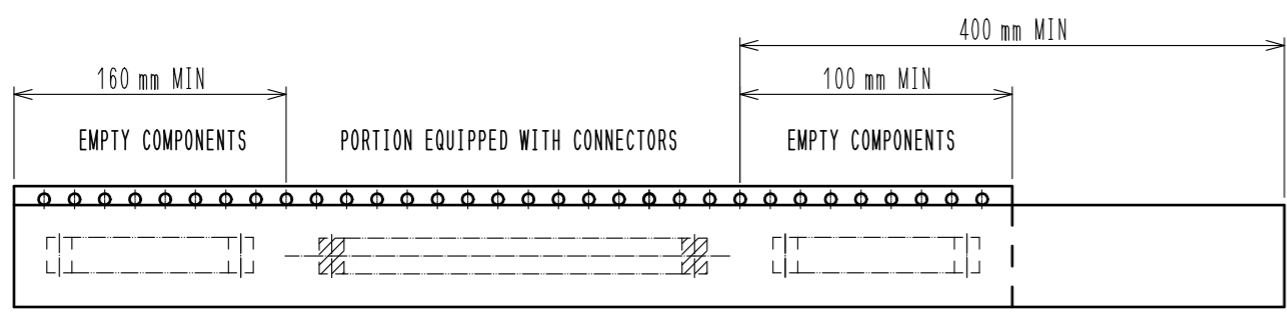
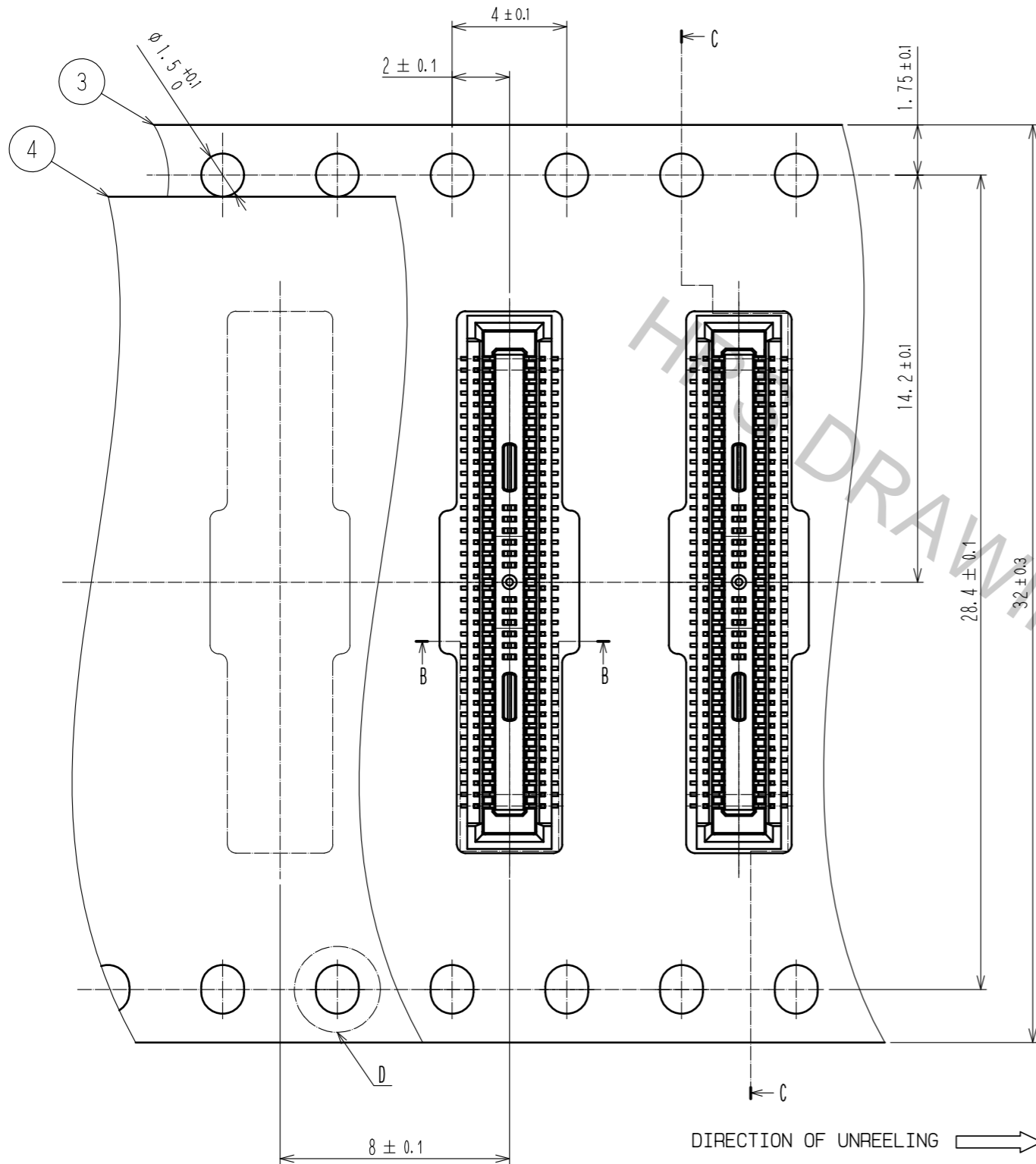
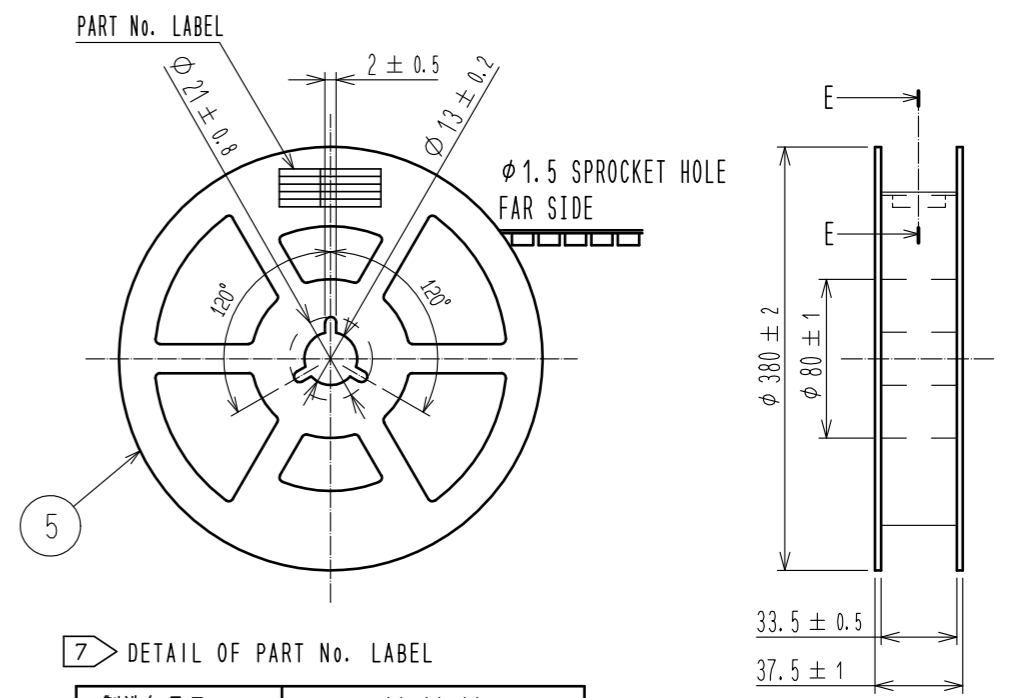


2	PHOSPHOR BRONZE	CONTACT AREA: Au 0.05μm MIN SMT LEAD: Au 0.05μm MIN UNDERPLATING: NICKEL 1μm MIN	6	PS	CLEAR, REINFORCEMENT COLLAR			
			5	PS	BLACK, PLASTIC REEL			
			4	POLYESTER	CLEAR, COVER TAPE			
1	LCP	BLACK, UL94V-0	3	PS	CLEAR, EMBOSSED CARRIER TAPE			
NO.	MATERIAL	FINISH . REMARKS	NO.	MATERIAL	FINISH . REMARKS			
UNITS	mm	SCALE	10:1	COUNT	DESCRIPTION OF REVISIONS	DESIGNED	CHECKED	DATE
HRS HIROSE ELECTRIC CO., LTD.		APPROVED : MO. ISHIDA	15.07.15	DRAWING NO. EDC-342079-51-02				
		CHECKED : TS. MIYAZAKI	15.07.15	PART NO. DF40HC(3.0)-80DS-0.4V(51)				
		DESIGNED : SH. HOSODA	15.07.15	CODE NO. CL684-4180-9-51				
		DRAWN : KR. AJITO	15.07.15					

EMBOSSED CARRIER TAPE PACKING(5:1)



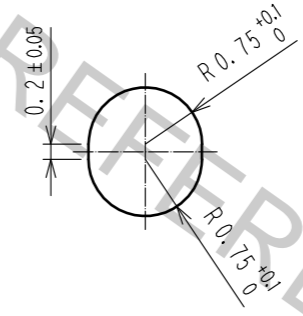
STYLE AND DIMENSION OF REEL(FREE)



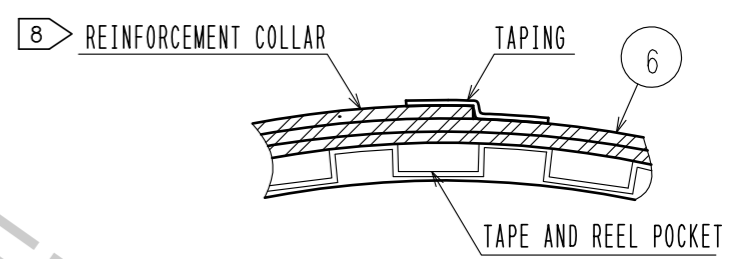
7 DETAIL OF PART No. LABEL

製造年月日	** ** *
製品コード	CL684-4180-9-51
製品名	DF40HC(3.0)-80DS-0.4V(51)
数量	3000
納入者	ヒロセ電機(株)

D(10:1)



E-E(FREE)



- NOTES
- 4. PER REEL 3000 CONNECTORS.
 - 5. THE DIMENSIONS IN PARENTHESES ARE FOR REFERENCE.
 - 6 REFER TO JIS C 0806, IEC 60286-3 (PACKING OF COMPONENTS FOR AUTOMATIC HANDLING)
 - 7 DETAIL OF PART No. LABEL IS WRITTEN IN JAPANESE. PART No. LABEL DESCRIBES THE FOLLOWING INFORMATION FROM TOP.
 PRODUCTION DATE:
 PRODUCT CODE: CL684-4180-9-51
 PART NUMBER: DF40HC(3.0)-80DS-0.4V(51)
 NUMBER OF PIECES: 3000 PIECES
 SUPPLIER NAME: HIROSE ELECTRIC CO., LTD.
 - 8 AFTER PACKAGING, ROLL 2 METERS OF THE REINFORCEMENT COLLAR TO OUTER CIRCUMFERENCE OF TAPE AND REEL POCKET, AND TAPE DOWN AT THE END THE COLLAR.

HRS	DRAWING NO.	EDC-342079-51-02
	PART NO.	DF40HC(3.0)-80DS-0.4V(51)
	CODE NO.	CL684-4180-9-51
		2/2