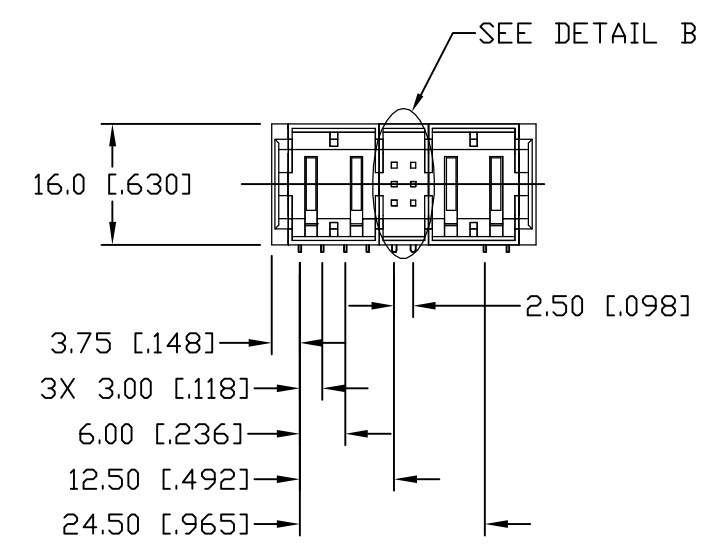
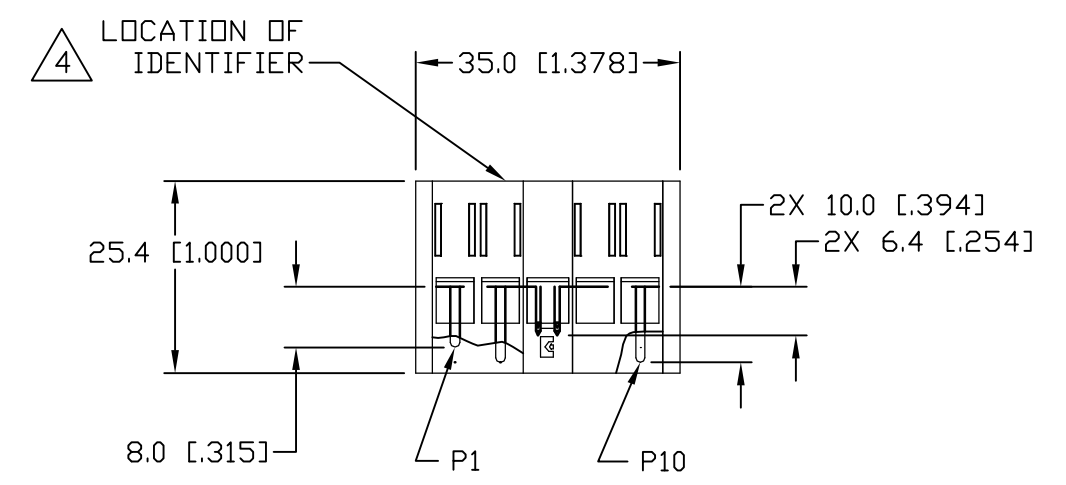
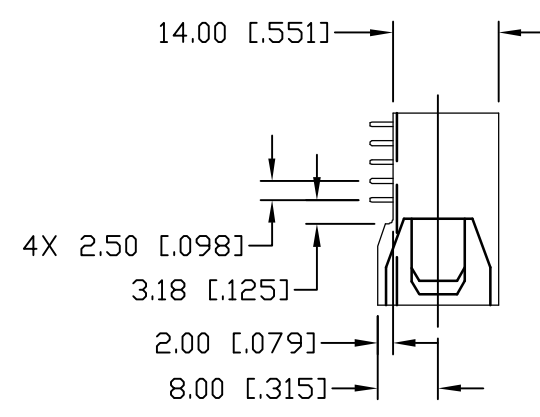
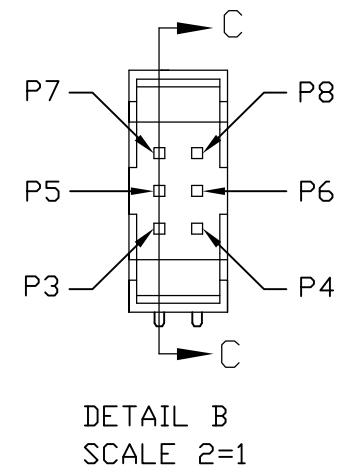
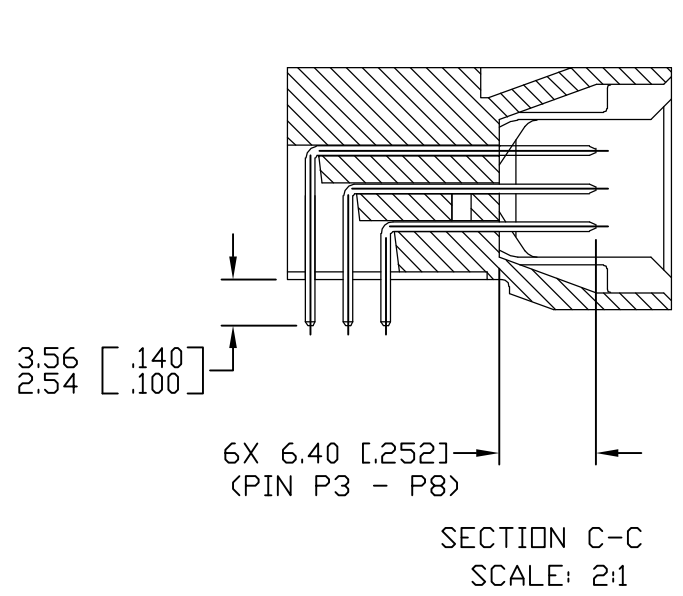
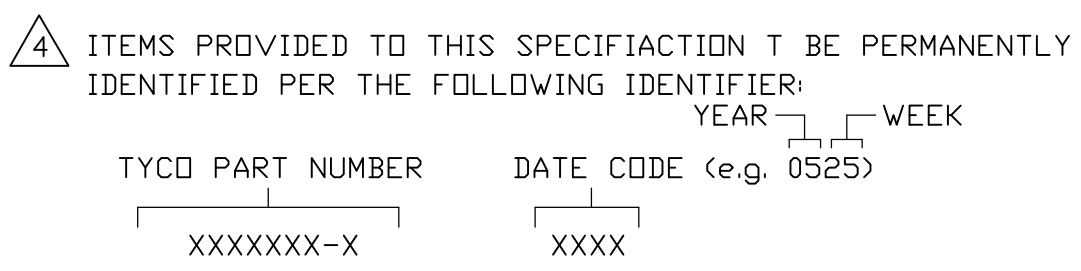


THIS DRAWING IS UNPUBLISHED. RELEASED FOR PUBLICATION  
 © COPYRIGHT BY TYCO ELECTRONICS CORPORATION. ALL RIGHTS RESERVED.

LOC	DIST	REVISIONS					
GP	00	P	LTR	DESCRIPTION	DATE	DWN	APVD
			A	RELEASED	19JULY06	RG	SF



- PART NUMBER CHANGES AND OR DESIGN CHANGES AFFECTING ITEM INTERCHANGEABILITY REQUIRE PRIOR TYCO APPROVAL AND AUTHORIZATION BY REVISION TO THIS DRAWING.
- MATERIAL:  
 INSULATORS: THERMOPLASTIC, GLASS REINFORCED, COLOR - BLACK, UL94V-0 FLAMMABILITY RATED  
 CONTACTS: BRASS ALLOY
- FINISH:  
 CONTACTS: GOLD PLATED .00003 MIN THK. OVER NICKEL .00005 MIN THK.  
 TERMINALS: TIN .000120 MIN THK. OVER NICKEL .000050 MIN THK.



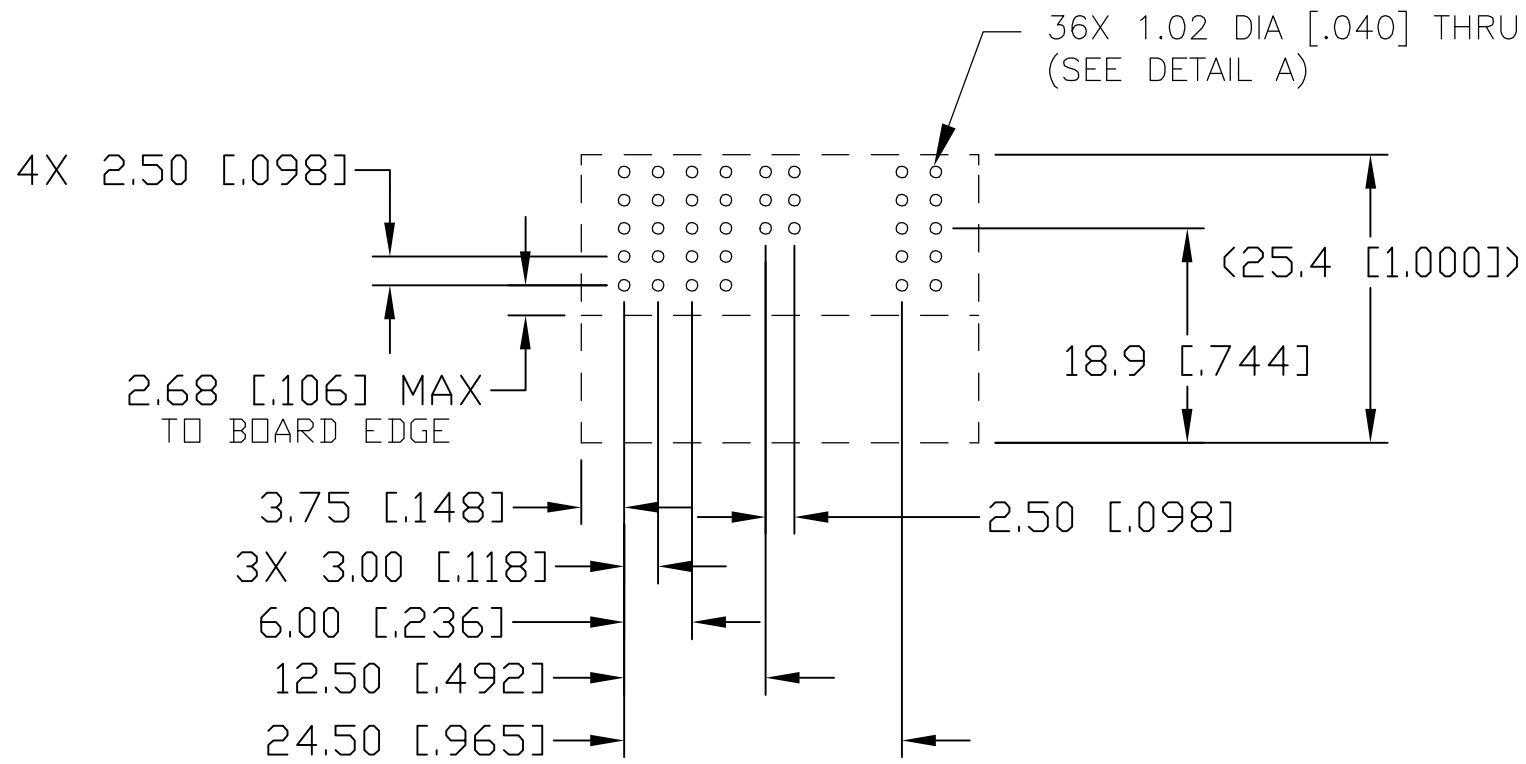
5. SEE DRAWING 6651199-1 FOR MATING SOCKET CONNECTOR.

AS SHOWN	6651200-1
DESCRIPTION	PART NUMBER

THIS DRAWING IS A CONTROLLED DOCUMENT.		DWN R.GRZYBOWSKI 19JULY06	Tyco Electronics Corporation Harrisburg, PA 17105-3608			
DIMENSIONS: mm		CHK S.FLICKINGER 19JULY06				
TOLERANCES UNLESS OTHERWISE SPECIFIED:		APVD S.FLICKINGER 19JULY06	NAME			
0 PLC ± - 1 PLC ± .5 [.020] 2 PLC ± .25 [.010] 3 PLC ± - 4 PLC ± - ANGLES ± .5		PRODUCT SPEC	PIN CONNECTOR RIGHT ANGLE, SOLDER TAIL MINIPAK			
MATERIAL		APPLICATION SPEC	SIZE	CAGE CODE	DRAWING NO	RESTRICTED TO
-		WEIGHT	A3	00779	C=6651200	-
CUSTOMER DRAWING			SCALE	SHEET	REV	
			1:1	1 OF 2	A	

THIS DRAWING IS UNPUBLISHED. RELEASED FOR PUBLICATION  
 © COPYRIGHT - BY TYCO ELECTRONICS CORPORATION. ALL RIGHTS RESERVED.

LOC	DIST	REVISIONS			
P	LTR	DESCRIPTION	DATE	DWN	APVD
GP	00	SEE SHEET 1	-	-	-



PRINTED CIRCUIT LAYOUT

DETAIL A  
SOLDER TERMINATION AREA

RECOMMENDED PRINTED CIRCUIT HOLE  
 FINISHED HOLE: 1.02 [0.040] ±0.08 [0.003] DIA.  
 DRILLED HOLE: 1.15 [0.0453] ±0.013 [0.0005] DIA.  
 COPPER PLATE: .025 [0.0010] MIN. (PER SURFACE)  
 TIN PLATE: .008 [0.0003] MIN. (PER SURFACE)

CONNECTOR	CONTACT	POSITION	CONTACT PITCH	VOLTAGE RATING
PIN	SIGNAL	3-8	2.50 [0.090]	60 VOLTS
	POWER	1 & 2	6.00 [0.236]	60 VOLTS
	POWER	10	_____	250 VOLTS

THIS DRAWING IS A CONTROLLED DOCUMENT.		DWN R.GRZYBOWSKI 19JULY06	Tyco Electronics Corporation Harrisburg, PA 17105-3608		
DIMENSIONS: mm		CHK S.FLICKINGER 19JULY06			
		APVD S.FLICKINGER 19JULY06	NAME PIN CONNECTOR RIGHT ANGLE, SOLDER TAIL MINIPAK		
TOLERANCES UNLESS OTHERWISE SPECIFIED:		PRODUCT SPEC	SIZE CAGE CODE DRAWING NO RESTRICTED TO		
0 PLC ± - 1 PLC ± .5 [0.020] 2 PLC ± .25 [0.010] 3 PLC ± - 4 PLC ± - ANGLES ± .5		APPLICATION SPEC	A3 00779 C-6651200		
MATERIAL		WEIGHT	CUSTOMER DRAWING SCALE 1:1 SHEET 2 OF 2 REV A		