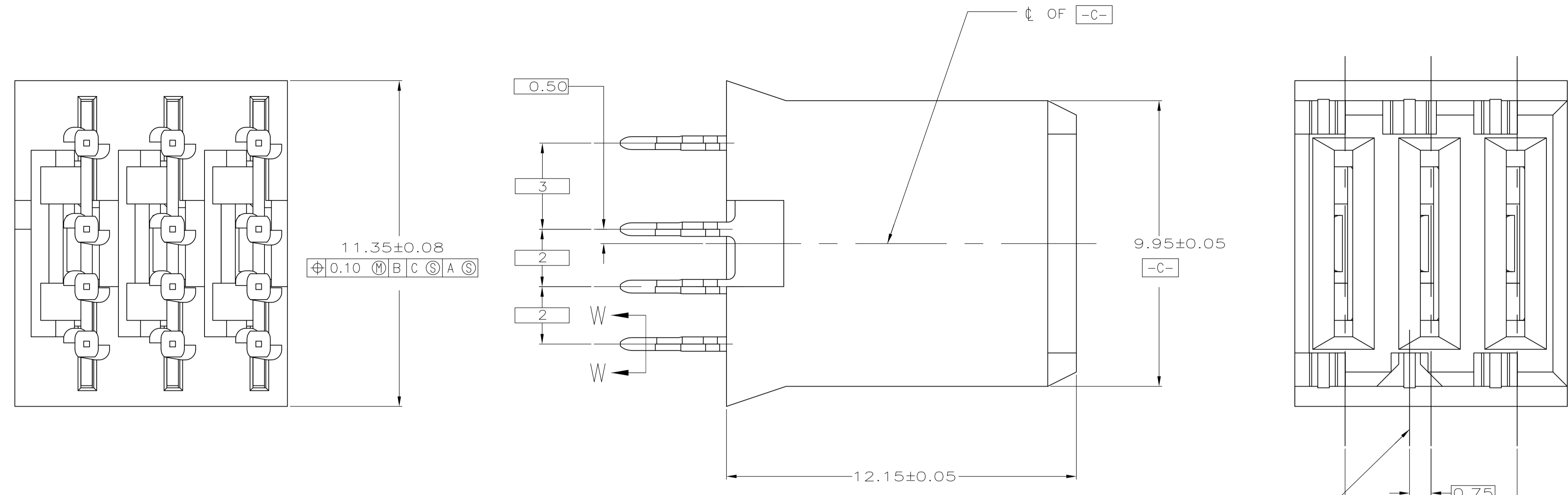
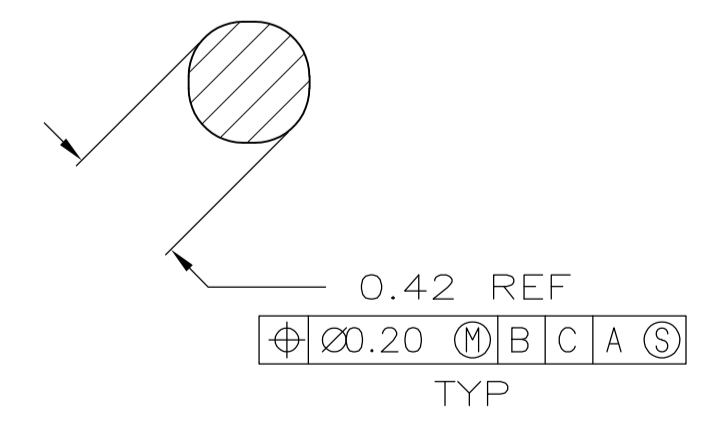
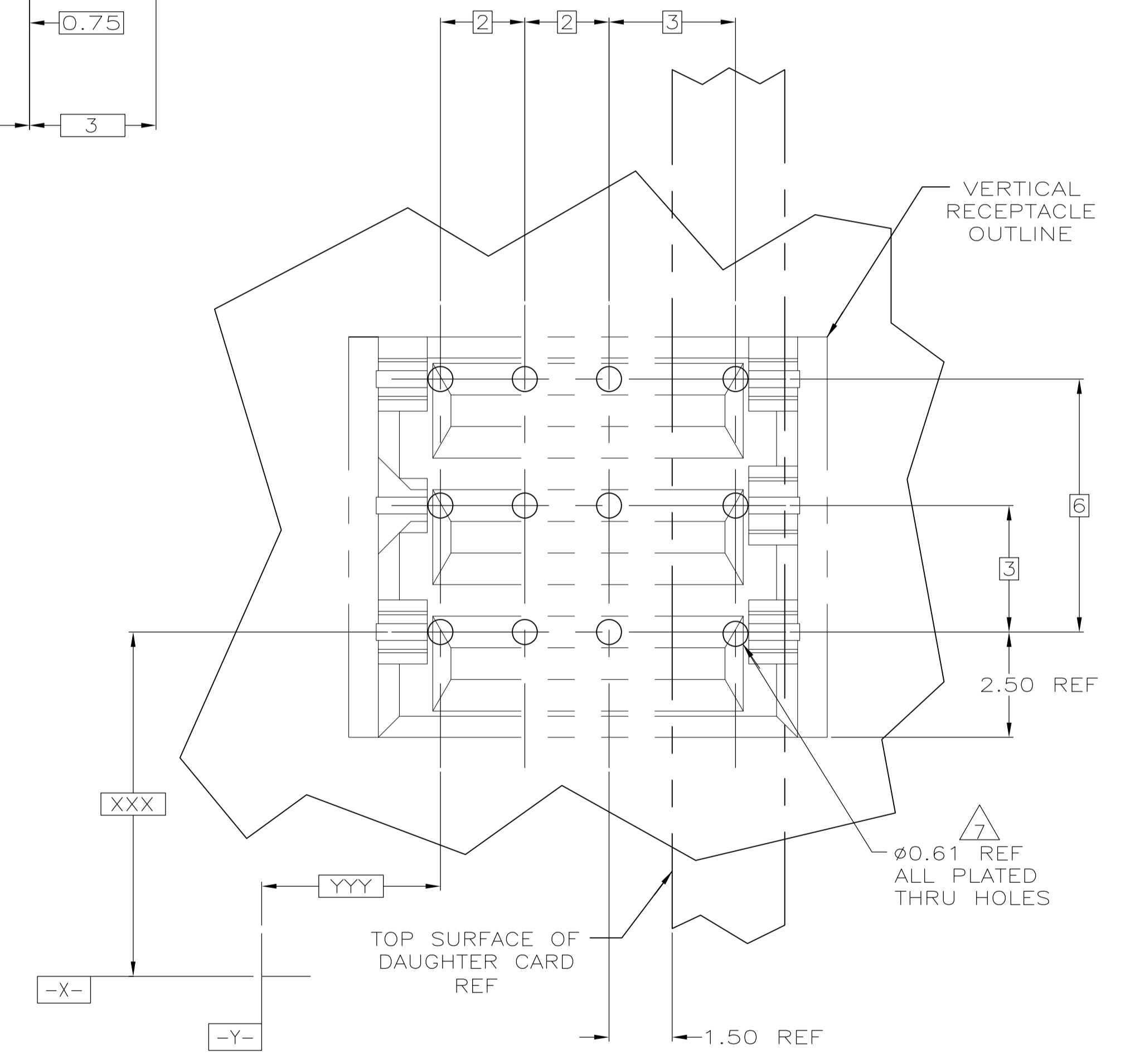
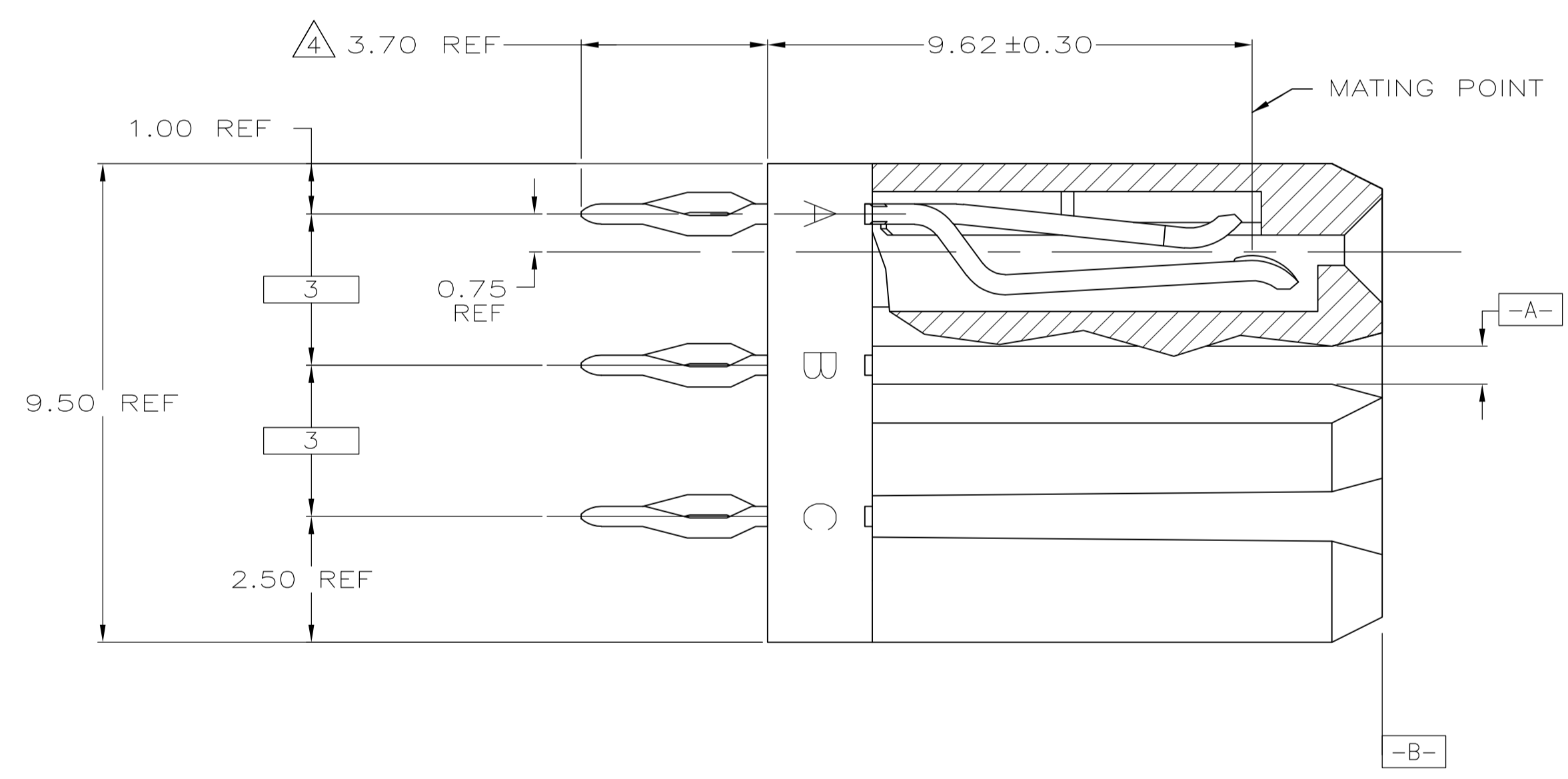


LOC		DIST		REVISIONS			
P	LTR	DATE	DMN	APVD			
P	REVISED PER ECO-11-004835	11MAR11	RK	HMR			



- 1 MATERIAL: HOUSING: POLYESTER. COLOR: GRAY. 94V-0. CONTACT: PHOSPHOR BRONZE.
- 2 FINISH: CONTACT MATING AREA: 1.27µm MIN GOLD OR 0.08µm MIN GOLD OVER 0.76µm MIN PALLADIUM-NICKEL. ACTION PIN AREA: 0.5µm MIN TIN PLATE, ALL OVER 1.27µm MIN NICKEL UNDERPLATE.
- 3 FINISH: CONTACT LUBRICATION WITH BELLCORE APPROVED LUBRICANT. TECHNICAL REFERENCE: TR-NWT-001217 ISSUE 1, SEPT 1992.
- 4 TOLERANCE TO BE ±0.28 AFTER CONNECTOR IS APPLIED TO P.C. BOARD.
- 5 RESTRICTED PART NUMBER, CONTACT ENGINEERING.
- 6 MATERIAL: HOUSING: POLYESTER. COLOR: GRAY. 94V-0. CONTACT: HIGH CURRENT COPPER ALLOY
- 7 REFERENCE APPLICATION SPEC 114-1103 FOR RECOMMENDED PLATED THRU HOLE DIAMETER AND PLATING THICKNESS.
- 8 CURRENT RATING 10A/CONTACT FOR PHOS BRONZE CONTACTS AND 16A/CONTACT FOR HIGH CURRENT COPPER ALLOY CONTACTS PER PRODUCT SPEC 108-1651.



SECTION W-W
SCALE 40:1

RECOMMENDED PCB HOLE LAYOUT

2 3 6	5-5223955-2
1 2 3 5	5223955-8
1 2 3	5223955-2
MATERIAL & FINISH	PART NUMBER

THIS DRAWING IS A CONTROLLED DOCUMENT.		DIN B CARDO 10DEC04		
DIMENSIONS: mm		CHK R PATTERSON 10DEC04		
TOLERANCES UNLESS OTHERWISE SPECIFIED:		APVD R PATTERSON 10DEC04		
0 PLC	± -	NAME		
1 PLC	± -	ASSEMBLY, VERTICAL RECEPTACLE, UNIVERSAL POWER MODULE		
2 PLC	± 0.13	PRODUCT SPEC		
3 PLC	± -	APPLICATION SPEC		
4 PLC	± -	SIZE CAGE CODE DRAWING NO		
ANGLES	± -	A1 00779 C=5223955		
MATERIAL SEE TABLE	FINISH SEE TABLE	WEIGHT	RESTRICTED TO	
			CUSTOMER DRAWING	
		SCALE 10:1	SHEET 1 OF 1 REV P	