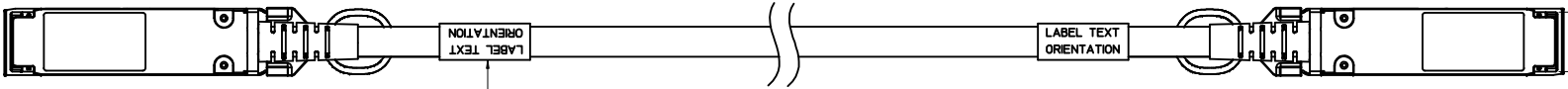
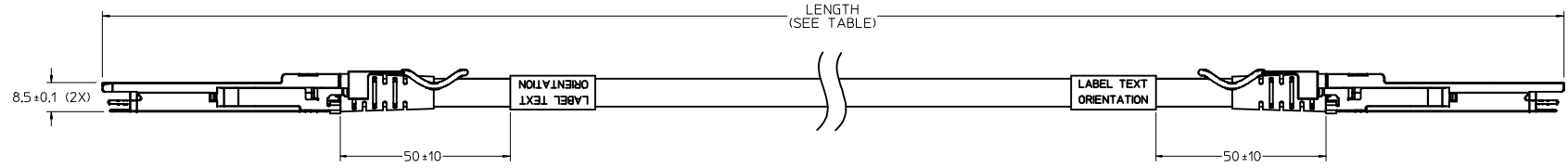
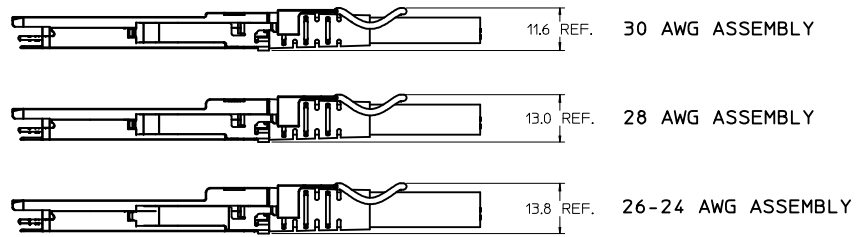


DETAIL 1
SCALE 4:1
PCB VIEWING HOLES



SEE SHEET 3 FOR LABEL DETAIL
(FOR CABLES UNDER 2 METERS, LABEL ON ONE END ONLY)



- NOTES:**
- CABLE DISTANCE DEPENDS ON WIRE GAUGE, DATA RATE, AND HOST BOARD DRIVER CAPABILITIES
 - MATERIALS:**
BACKSHELLS - ZINC DIE CAST WITH BRIGHT NICKEL PLATING
DELATCH - STAINLESS STEEL WITH OVERMOLDED NYLON
PCB - FR4
RIVETS - STAINLESS STEEL
 - IMPEDANCE - 100 OHMS DIFFERENTIAL
 - RoHS COMPLIANT, NO EXEMPTIONS

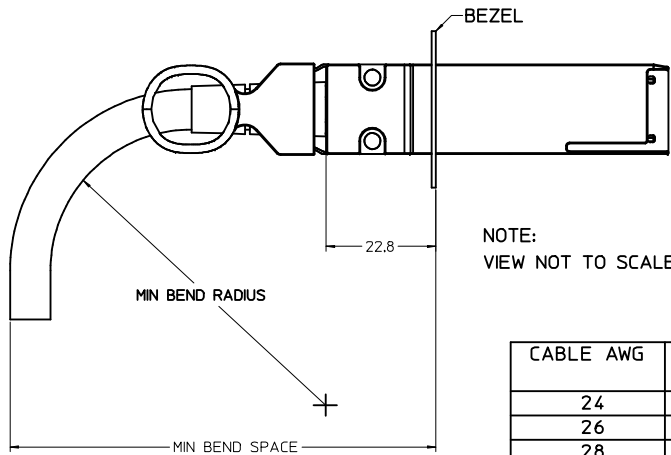
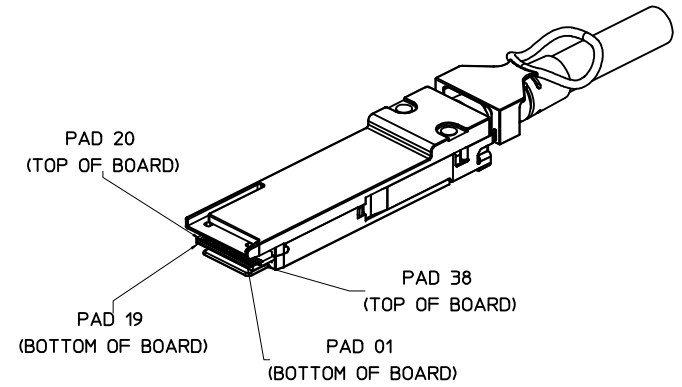
SEE SHEET 3 FOR P/N TABLE

UPDATED RoHS NOTE EC NO: CPG2017-0665 DRAWN BY: CHKO-SRATKOVIC CHECKED BY: APPR-CHRISCHY DATE: 2016/10/26 DATE: 2016/11/09 DATE: 2016/11/17	QUALITY SYMBOLS ∇=0 ∇=0 ∇=0	GENERAL TOLERANCES (UNLESS SPECIFIED)		DIMENSION STYLE MM ONLY	SCALE 1:1	DESIGN UNITS METRIC	THIRD ANGLE PROJECTION		
		4 PLACES ±--- ±--- 3 PLACES ±--- ±--- 2 PLACES ±0.13 ±--- 1 PLACE ±0.25 ±--- 0 PLACE ± ±	mm INCH	DRAWN BY: BCHEN06_USY DATE: 2010/04/09 CHECKED BY: KLOYD DATE: 2010/04/09 APPROVED BY: RMAHMOOD DATE: 2010/04/12	TITLE QSFPC+ COPPER PATCH CABLE ASSEMBLY	MATERIAL NO.		DOCUMENT NO. SD-111040-0001	SHEET NO. 1 OF 3
		ANGULAR ±---°		SEE P/N TABLE		THIS DRAWING CONTAINS INFORMATION THAT IS PROPRIETARY TO MOLEX INCORPORATED AND SHOULD NOT BE USED WITHOUT WRITTEN PERMISSION			
		DRAFT WHERE APPLICABLE MUST REMAIN WITHIN DIMENSIONS		SEE P/N TABLE		SEE P/N TABLE			SEE P/N TABLE

WIRING DIAGRAM					
P1 END			P2 END		
PAD	SIGNAL		PAD	SIGNAL	
01	GND (TX)	----	20	GND (RX)	
02	TX2n	---->	21	RX2n	
03	TX2p	---->	22	RX2p	
04	GND (TX)	----	23	GND (RX)	
05	TX4n	---->	24	RX4n	
06	TX4p	---->	25	RX4p	
07	GND (TX)	----	26	GND (RX)	
08	ModSelL	■ ■	27	ModPrsL	
09	ResetL	■ ■	28	IntL	
10	VccRx	■ ■	29	VccTx	
11	SCL	■ NC	30	Vcc1	
12	SDA	■ ■	31	LPMode	
13	GND (RX)	----	32	GND (TX)	
14	RX3p	<----	33	TX3p	
15	RX3n	<----	34	TX3n	
16	GND (RX)	----	35	GND (TX)	
17	RX1p	<----	36	TX1p	
18	RX1n	<----	37	TX1n	
19	GND (RX)	----	38	GND (TX)	
20	GND (RX)	----	01	GND (TX)	
21	RX2n	<----	02	TX2n	
22	RX2p	<----	03	TX2p	
23	GND (RX)	----	04	GND (TX)	
24	RX4n	<----	05	TX4n	
25	RX4p	<----	06	TX4p	
26	GND (RX)	----	07	GND (TX)	
27	ModPrsL	■ ■	08	ModSelL	
28	IntL	■ ■	09	ResetL	
29	VccTx	■ ■	10	VccRx	
30	Vcc1	■ NC	11	SCL	
31	LPMode	■ ■	12	SDA	
32	GND (TX)	----	13	GND (RX)	
33	TX3p	---->	14	RX3p	
34	TX3n	---->	15	RX3n	
35	GND (TX)	----	16	GND (RX)	
36	TX1p	---->	17	RX1p	
37	TX1n	---->	18	RX1n	
38	GND (TX)	----	19	GND (RX)	

LEGEND:

- = THRU LINES
- > = TRANSMIT TO RECEIVE ON HIGH SPEED CIRCUITS
- C = COMMON GROUND CONNECTION
- NC = NOT CONNECTED
- = CONNECTION TO A DEVICE ON THE PCB



NOTE: VIEW NOT TO SCALE.

CABLE BEND RADIUS

CABLE AWG	MIN BEND RADIUS (mm)	MIN BEND SPACE (mm)
24	51	84
26	44	76
28	39	70
30	33	62

NOTES:

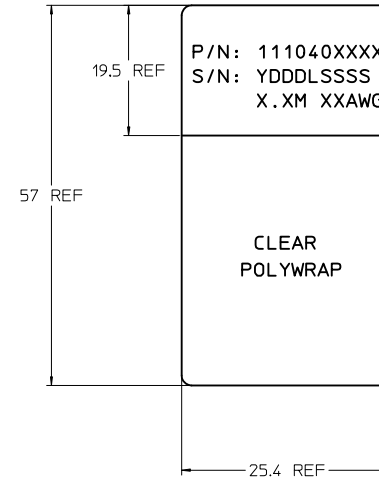
1. DC BLOCKING CAPS ON RECEIVE SIDE ONLY
2. CABLE COILED AND PACKAGED IN BEST FIT ESD BAG AND SEALED WITH ESD LABEL FOR SHIPPING

UPDATED ROHS NOTE EC NO: CPG2017-0665 DRAWN BY: CHYKSRATKOVIC 2016/11/09 APPR: CHRISCHY 2016/11/17	QUALITY SYMBOLS	GENERAL TOLERANCES (UNLESS SPECIFIED)	DIMENSION STYLE	SCALE	DESIGN UNITS	THIRD ANGLE PROJECTION
	▽=0	mm INCH	MM ONLY	1:1	METRIC	☉
	▽=0	4 PLACES ±	DATE	TITLE		
▽=0	3 PLACES ±	DATE	BCHENO6_USY 2010/04/09			
▽=0	2 PLACES ±0.13	DATE	KLOYD 2010/04/09			
▽=0	1 PLACE ±0.25	DATE	APPROVED BY			
▽=0	0 PLACE ±	DATE	RMAHMOOD 2010/04/12			
DRAFT WHERE APPLICABLE MUST REMAIN WITHIN DIMENSIONS		ANGULAR ±	SEE P/N TABLE		DOCUMENT NO.	
		SIZE	D THIS DRAWING CONTAINS INFORMATION THAT IS PROPRIETARY TO MOLEX INCORPORATED AND SHOULD NOT BE USED WITHOUT WRITTEN PERMISSION		SD-111040-0001	
				SHEET NO.		2 OF 3

PART NUMBER TABLE

MOLEX P/N	LENGTH (M)	LENGTH TOLERANCE (mm)	AWG
1110401044	0.35	±30	30
1110401054	0.5	±30	30
1110401074	0.75	±30	30
1110401104	1.0	±50	30
1110401204	2.0	±50	30
1110401304	3.0	±50	30
1110401324	3.2	±50	30
1110401404	4.0	±50	30
1110401504	5.0	±80	30
1110401704	7.0	±80	30
1110402054	0.5	±30	28
1110402104	1.0	±50	28
1110402204	2.0	±50	28
1110402304	3.0	±50	28
1110402404	4.0	±50	28
1110402504	5.0	±80	28
1110402604	6.0	±80	28
1110402704	7.0	±80	28
1110403054	0.5	±50	26
1110403104	1.0	±50	26
1110403204	2.0	±50	26
1110403304	3.0	±50	26
1110403404	4.0	±50	26
1110403504	5.0	±80	26
1110403604	6.0	±80	26
1110403704	7.0	±80	26
1110404054	0.5	±50	24
1110404104	1.0	±50	24
1110404204	2.0	±50	24
1110404304	3.0	±50	24
1110404404	4.0	±50	24
1110404504	5.0	±80	24
1110404604	6.0	±80	24
1110404704	7.0	±80	24
1110404804	8.0	±80	24
1110409010	10.0	±80	30
1110409011	10.0	±80	28
1110409012	10.0	±80	26
1110409013	10.0	±08	24
1110409018	15.0	±80	24

CABLE LABEL DETAIL



YDDDLSSSS

Y = YEAR, THE LAST DIGIT OF THE YEAR
 DDD = DAY OF THE YEAR
 L = LOCATION (1=US, 2=MEXICO, 3=CHINA)
 SSSS = SERIAL NUMBER (0001-9999)

X.XM = LENGTH AS SHOWN IN P/N TABLE

XXAWG = AWG SIZE

UPDATED ROHS NOTE IEC NO: CPG2017-0665 2016/10/26 DRAWN: PRATT 2016/11/09 CHKD: SRATKOWIC 2016/11/17 APPR: CHIRSCY	QUALITY SYMBOLS	GENERAL TOLERANCES (UNLESS SPECIFIED)	DIMENSION STYLE	SCALE	DESIGN UNITS	THIRD ANGLE PROJECTION	
	▽=0	mm	MM ONLY	1:1	METRIC	☉	
	▽=0	INCH	4 PLACES ±----	DRAWN BY	DATE	TITLE	QSF+ COPPER PATCH CABLE ASSEMBLY molex DOCUMENT NO. SD-111040-0001 SHEET NO. 3 OF 3
	▽=0	1 PLACES ±0.13	3 PLACES ±----	BCHEN06_USY	2010/04/09		
▽=0	2 PLACES ±0.25	2 PLACES ±----	KLLOYD	2010/04/09			
▽=0	0 PLACES ±	1 PLACES ±----	APPROVED BY	DATE			
	ANGULAR ±----	DRAFT WHERE APPLICABLE MUST REMAIN WITHIN DIMENSIONS	RMAMMOOD	2010/04/12			
	SEE P/N TABLE		MATERIAL NO.				
			SIZE				