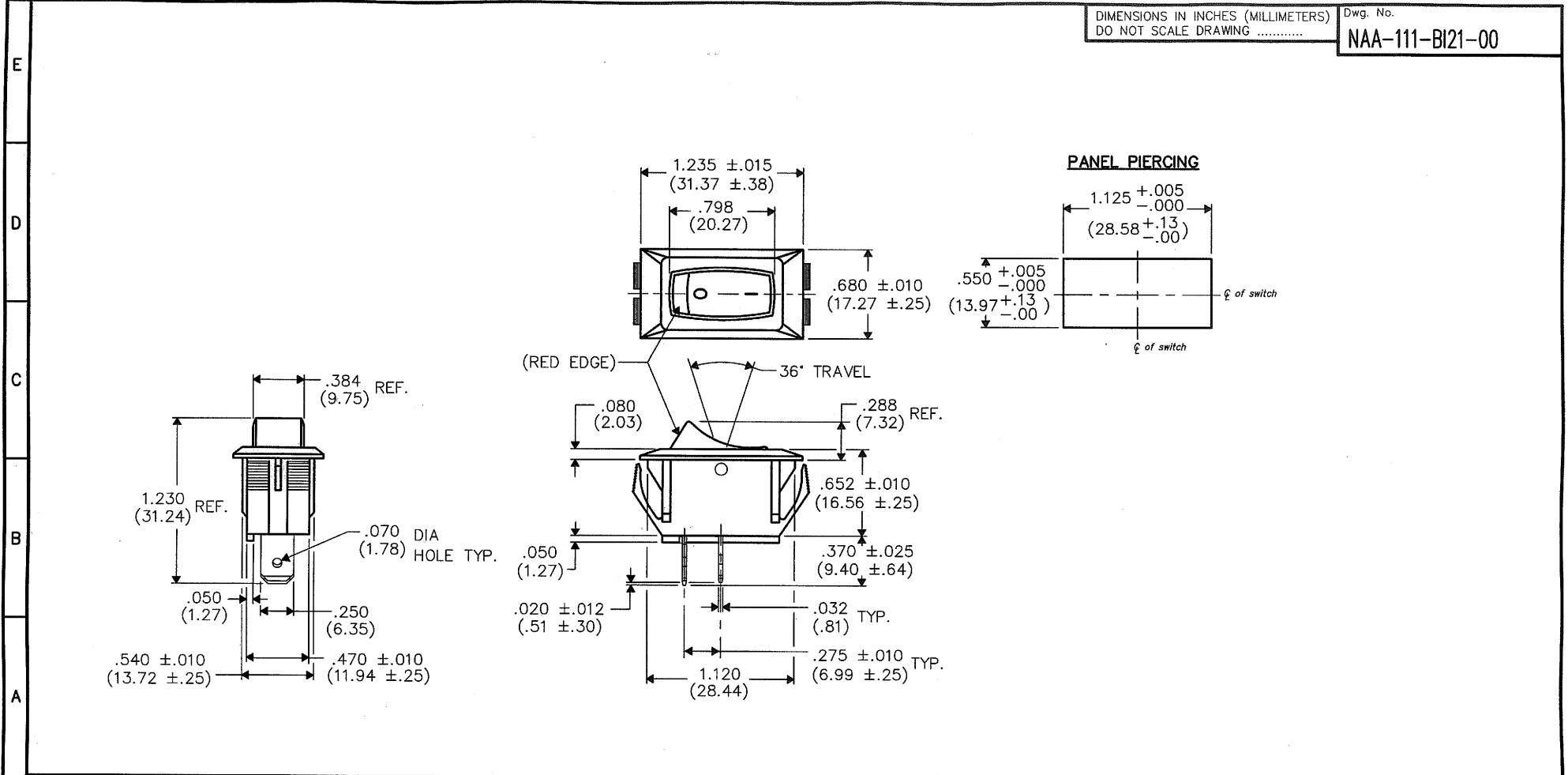


DIMENSIONS IN INCHES (MILLIMETERS)  
DO NOT SCALE DRAWING .....

Dwg. No.  
**NAA-111-BI21-00**



1 2 3 4 5 6 7 8 9 10

FORM-B4	REVISIONS	0	RELEASED 8-13-2008 DGM G. Gold	NAA-111-BI21-00	PDF FILE MADE	<b>CW INDUSTRIES</b> Southampton, Pa. 18966		Title: <b>INDICON UNIBODY SWITCH ASSEMBLY</b>	
		TOLERANCES UNLESS OTHERWISE SPECIFIED:				1 Place Dec. ±.25mm			
		2 Place Decimal ±.010				2 Place Dec. ±.13mm			
		3 Place Decimal ±.005				Angles ..... ±1°			
Made for: CW IND.						Division: <b>SWITCH</b>		Dwg. No. <b>NAA-111-BI21-00</b>	
Drawn by: DGM 8-13-2008						Checked by: <i>G. Gold 8-14-08</i>		Approval: <i>G. Gold 8-14-08</i>	

**MASTER**