

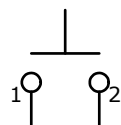
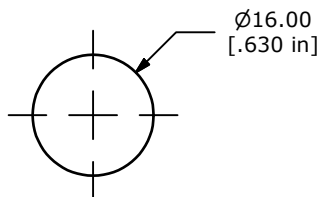


SWITCH FUNCTION	
POS. 1	POS. 2
	
OFF	(ON)
OPEN	1-2

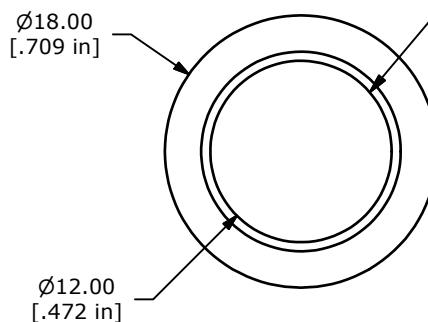
(ON) = MOMENTARY



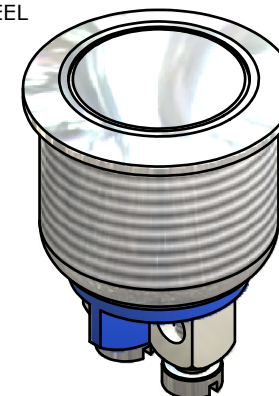
CIRCUIT: SPST



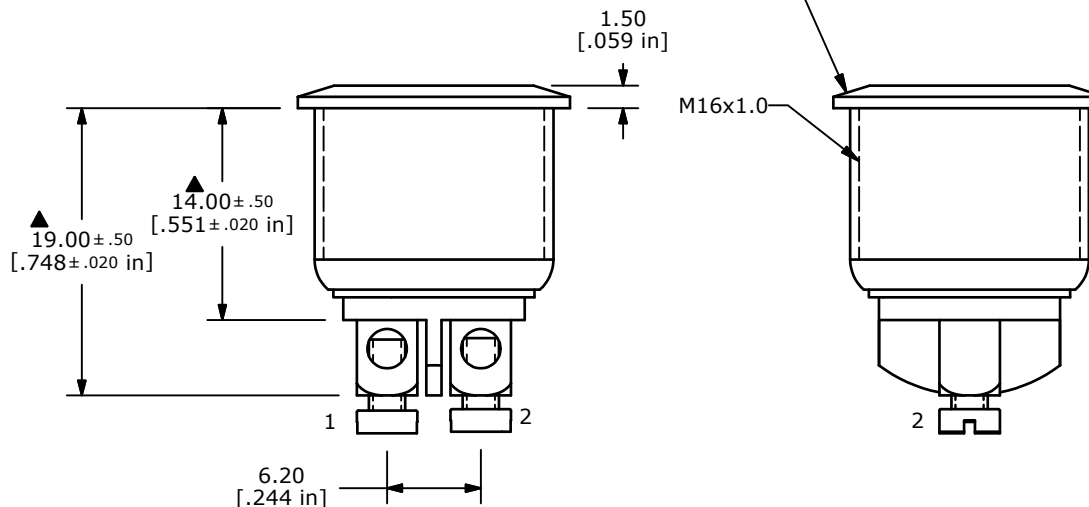
PANEL MOUNTING
MAX. PANEL THICKNESS 6.0mm



FLAT ACTUATOR
POLISHED STAINLESS STEEL



▲ BODY FINISH
POLISHED STAINLESS STEEL



- NOTE:
1. ALL DIMENSIONS IN MM [INCH]
 2. GENERAL TOLERANCE: X.X±0.4
X.XX±0.25
 3. TERMINAL NUMBERS FOR REF ONLY
 4. CONTACT MATERIAL: SILVER
 5. RATING: 2A 48VDC
 6. TRAVEL: 1.5 ± 0.2mm
 7. ELECTRIC LIFE: 200,000 MAKE-AND-BREAK CYCLES
 8. INSULATION RESISTANCE: 1,000 MΩ MIN.
 9. DIELECTRIC STRENGTH: 2,000 VAC MIN. FOR 1 MINUTE
 10. CONTACT RESISTANCE: 50mΩ MAX. @ 1A 12VDC
 11. OPERATING TEMP.: -20°C to 55°C
 12. ▲ DENOTES CRITICAL PARAMETER.
 13. INGRESS PROTECTION: IP65
 14. HARDWARE SUPPLIED: O-RING AND HEXNUT
 15. 2002/95/EC (ROHS) COMPLIANT



TITLE PV2F640SS				
SCALE 2:1	DATE 12/22/2011	DR BGL	DWG 52-PV2F640SS	REV C

C	20364	REVISED AND REDRAWN	12/22/11	BGL
REV	PCR NO	DESCRIPTION	DATE	BY

THE INFORMATION CONTAINED IN THIS DOCUMENT IS PROPRIETARY TO E-SWITCH AND IS NOT TO BE COPIED OR TRANSFERRED