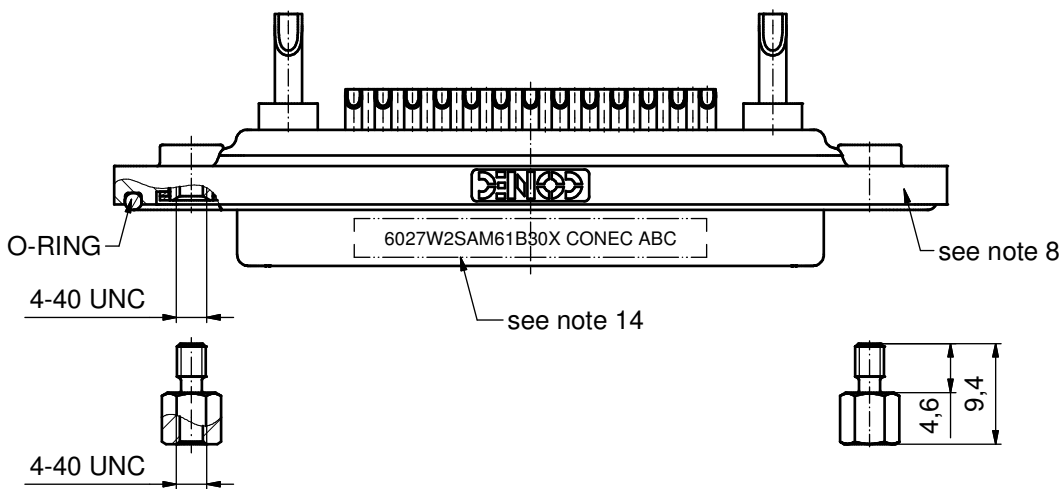
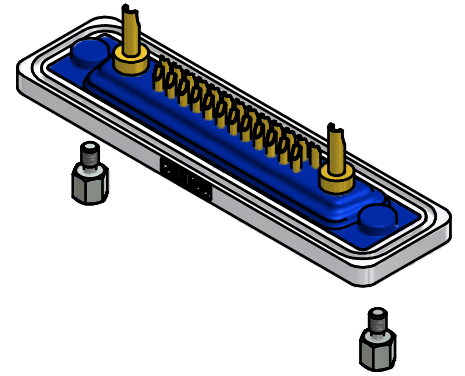
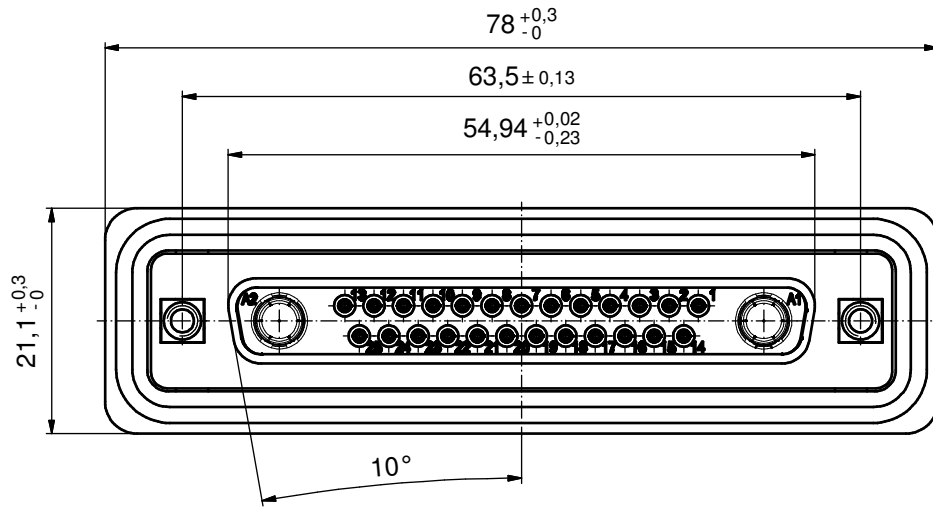
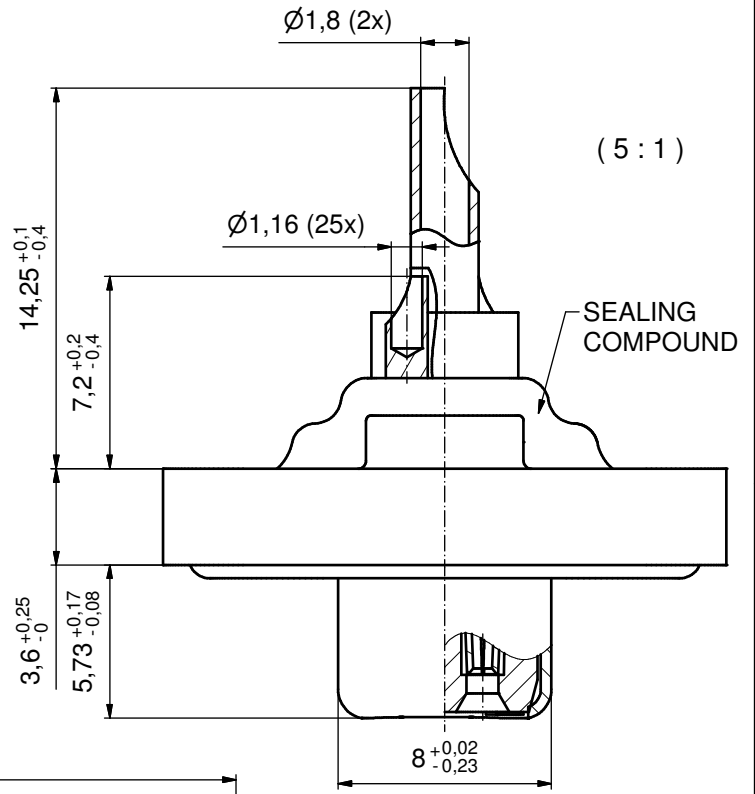


NOTES:

1. RECOMMENDED SOLDER INSTRUCTION SEE SHEET 2
2. METALSHELLS: COPPER ALLOY; min. 315µin TIN over 40-80µin NICKEL
3. INSULATORS: PBT GF UL 94 V-0; GREEN
4. SIGNAL CONTACTS: COPPER ALLOY  
PLATING: GOLD FLASH over NICKEL  
SOLDER CUP ACCEPTS CABLE AWG 20
5. HIGH POWER CONTACTS 10A: COPPER ALLOY  
PLATING, MATING AREA: GOLD FLASH over NICKEL  
PLATING, TERMINATION SIDE: GOLD FLASH over NICKEL  
SOLDER CUP ACCEPTS CABLE AWG 16-20
6. THREADED INSERTS: COPPER ALLOY; min. 200µin TIN over 80µin NICKEL
7. COLLARS: COPPER ALLOY; min. 200µin TIN over 80µin NICKEL
8. FRAME: ZINC DIE CAST; NICKEL PLATED
9. O-RING: SILICON; BLUE
10. HEXLOCKING SCREWS: STAINLESS STEEL
11. SEALING COMPOUND: PUR; BLUE
12. RECOMMENDED PANEL CUT-OUT ON SHEET 2
13. RECOMMENDED TORQUE FOR MOUNTING SCREW  
35Ncm (3,1 in.LB) / max. 40Ncm (3,5 in.LB)
14. CONNECTOR IS PART MARKED: 6027W2SAM61B30X CONEC ABC



AT ALL TIMES WATER RESISTANT CONNECTORS NOT IN USE SHOULD BE COVERED WITH A CONEC WATER RESISTANT CAP OR WATER TIGHT HOOD.

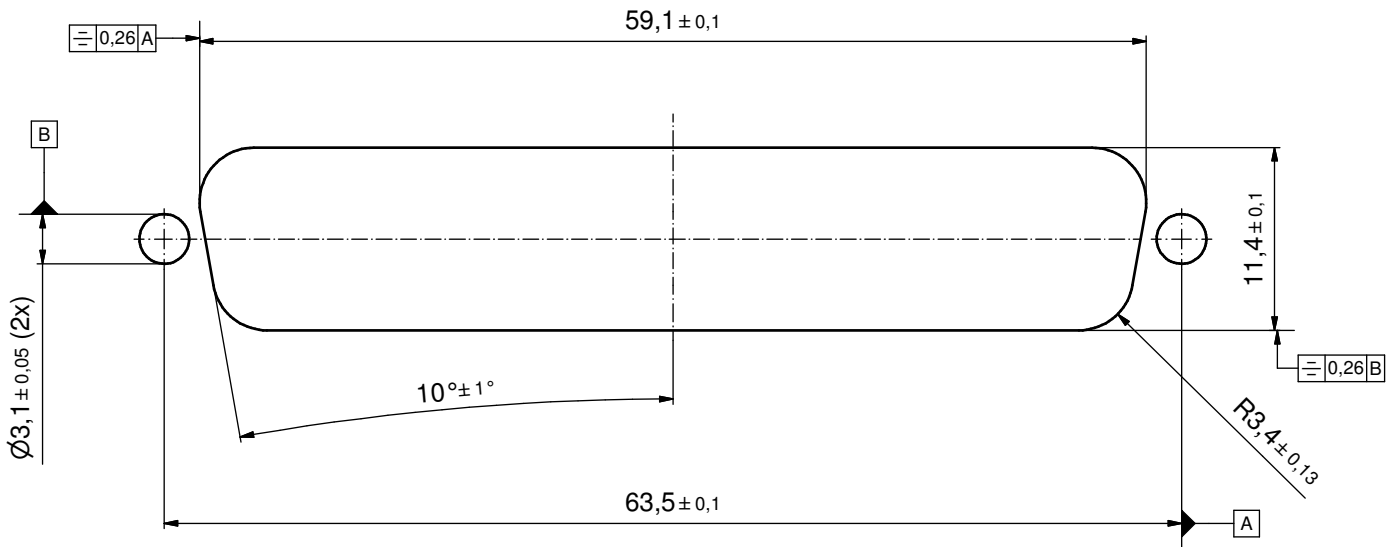
RoHS compliant

|   |             |          |              |                     |   |          |
|---|-------------|----------|--------------|---------------------|---|----------|
| THIS DRAWING MAY NOT BE COPIED OR REPRODUCED IN ANY WAY, AND MAY NOT BE PASSED ON TO A THIRD PARTY WITHOUT WRITTEN PERMISSION. OWNERSHIP AND COPYRIGHT OF CONEC GmbH DO NOT ALTER CAD DRAWING BY HAND | tolerance   |          | dim. in mm   | scale: 2:1 (5:1)    |   |          |
|   |             |          |              | material: see notes |   |          |
|   | drawn       | 16.10.15 | Henneboel    |                     | title:<br>D-SUB COMBINATION FEMALE<br>27W2S SOLDER CUP<br>with threaded insert and hexlocking screw |          |
|   | appd.       | 16.10.15 | Lehmenkühler |                     |   |          |
|   | norm        |          |              |                     |   |          |
| d-old   |             |          |              | dwg no:             | DIN-A3  |          |
| a   | Original    |          |              | 15K1A1807           |   |          |
| rev.  | description |          |              | date                | name  | part no: |
| sh: 1/2   |             |          |              |                     |   |          |

Solder Instruction

1. Cable should be prepared for soldering. The cable/wires must be pretinned.
2. Insert cable/wire into solder cup.
3. Signal Contact
  - 3.1. Operate the soldering iron at 350°C, 50 Watt max. and use a pencil tip.
  - 3.2. Put tip to wire in solder cup.
  - 3.3. After 1 second bring in solder.
  - 3.4. Heat for 3 seconds longer. Do not heat contact more than 4 seconds in total.
4. Power Contact
  - 4.1. Operate the soldering iron at 350°C, 100 Watt max. and use a pencil tip.
  - 4.2. Apply some solder to the solder tip of the soldering iron.
  - 4.3. Put tip to wire in solder cup.
  - 4.4. After 1 second bring in solder.
  - 4.5. Heat for 5 seconds longer. Do not heat contact more than 6 seconds in total.
5. Remove soldering iron.
6. Wait until solder gets rigid again.
7. Do not solder adjacent contacts consecutively, alternate position within the connector to minimize heat build up.

RECOMMENDED PANEL CUT-OUT



|  |             |          |                      |   |  |                      |
|--|-------------|----------|----------------------|---|--|----------------------|
| THIS DRAWING MAY NOT BE COPIED OR REPRODUCED IN ANY WAY, AND MAY NOT BE PASSED ON TO A THIRD PARTY WITHOUT WRITTEN PERMISSION. OWNERSHIP AND COPYRIGHT OF CONEC GmbH<br><br>DO NOT ALTER CAD DRAWING BY HAND |             |          |                      | tolerance   |  | scale: 2:1           |
|  |             |          |                      | dim. in mm  |  | material: see sheet1 |
|  | drawn       | 16.10.15 | Henneboel            | title:  |  |                      |
|  | appd.       | 16.10.15 | Lehmenkühler         | PANEL CUT-OUT   |  |                      |
|  | norm        |          |                      | D-SUB Combination FEMALE 27W2S SOLDER CUP with threaded insert and hexlocking screw |  |                      |
|  | d-old       |          |                      | dwg no:   |  |                      |
|  | a           | Original |                      | 15K1A1807   |  |                      |
| rev.   | description | date     | name                 |   |  | DIN-A3<br>sh: 2/2    |
|  |             |          | part no: see sheet 1 |   |  |                      |