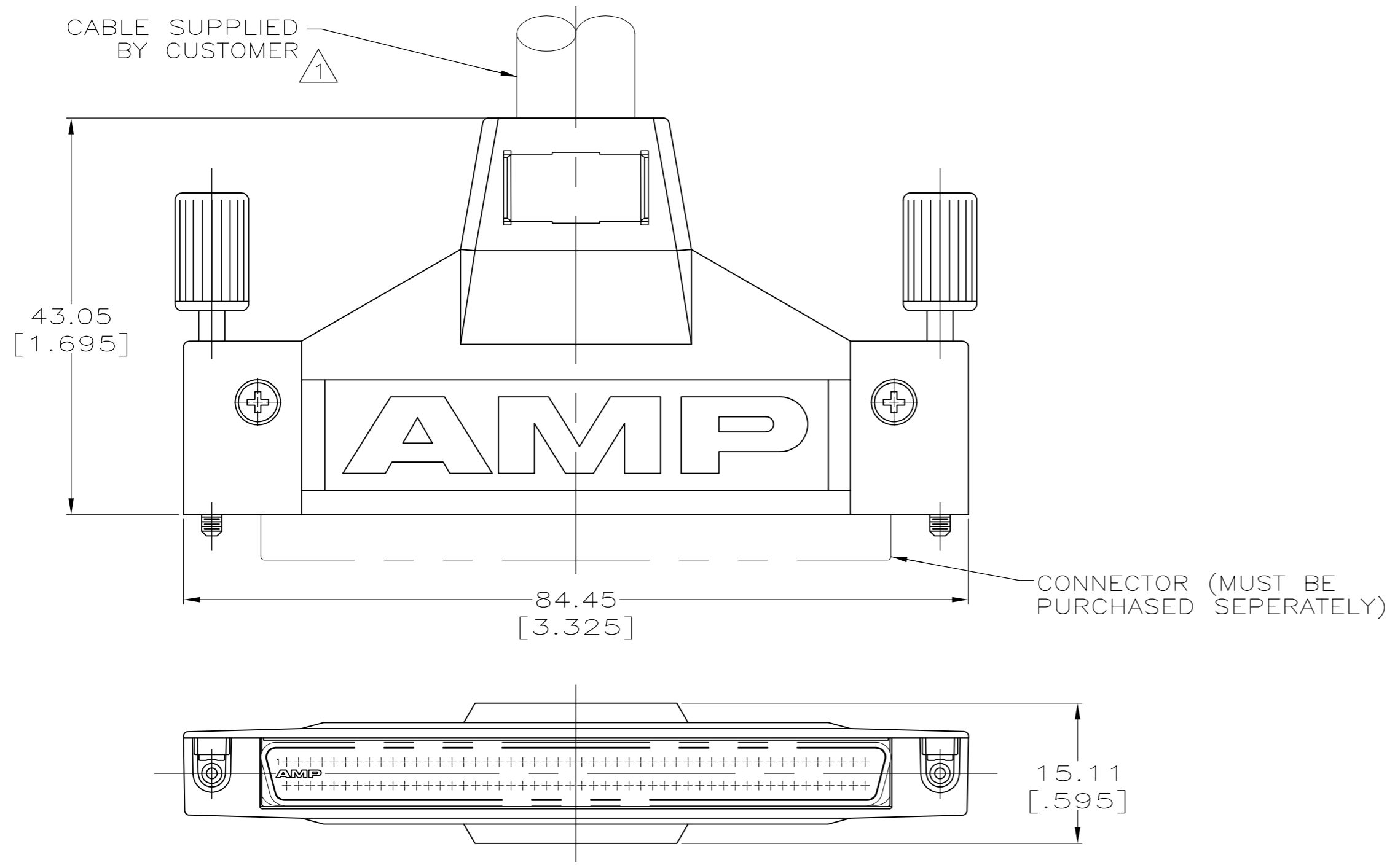
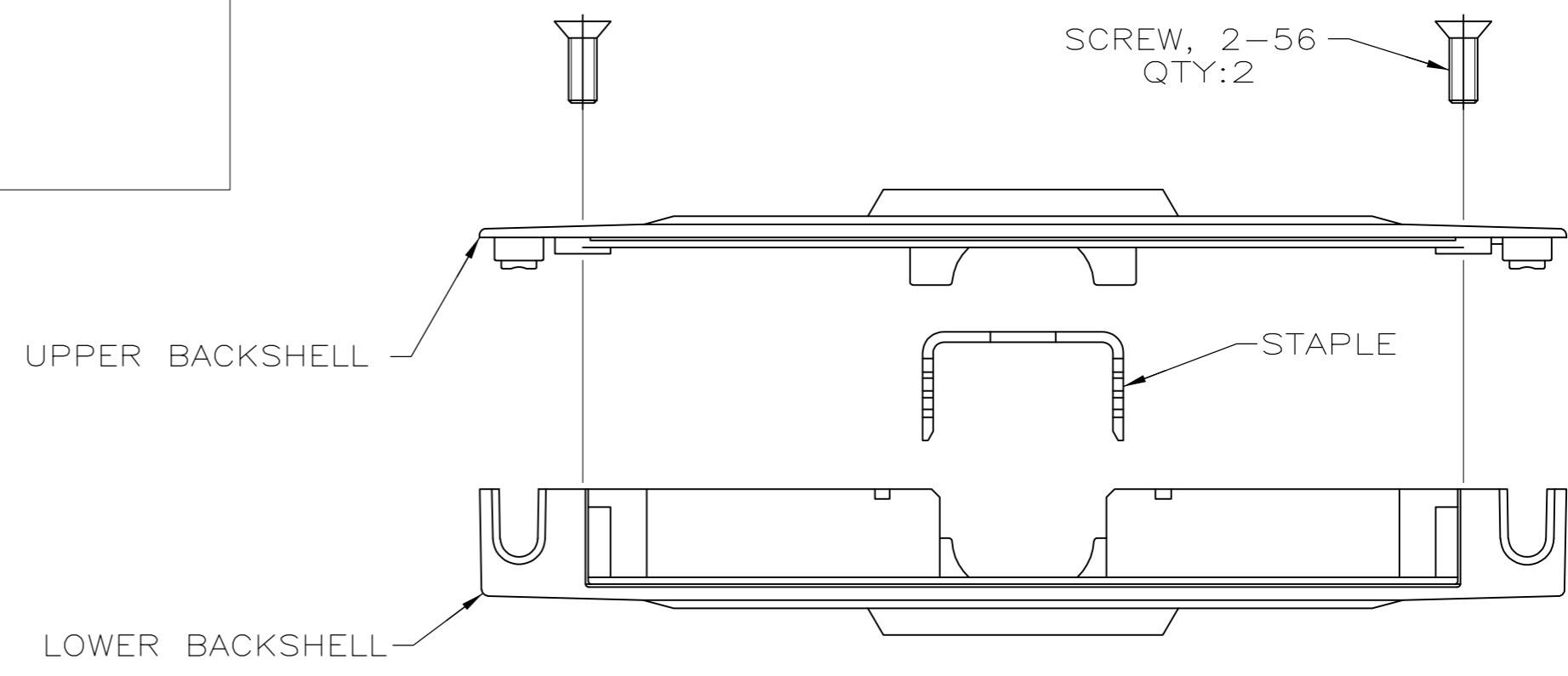
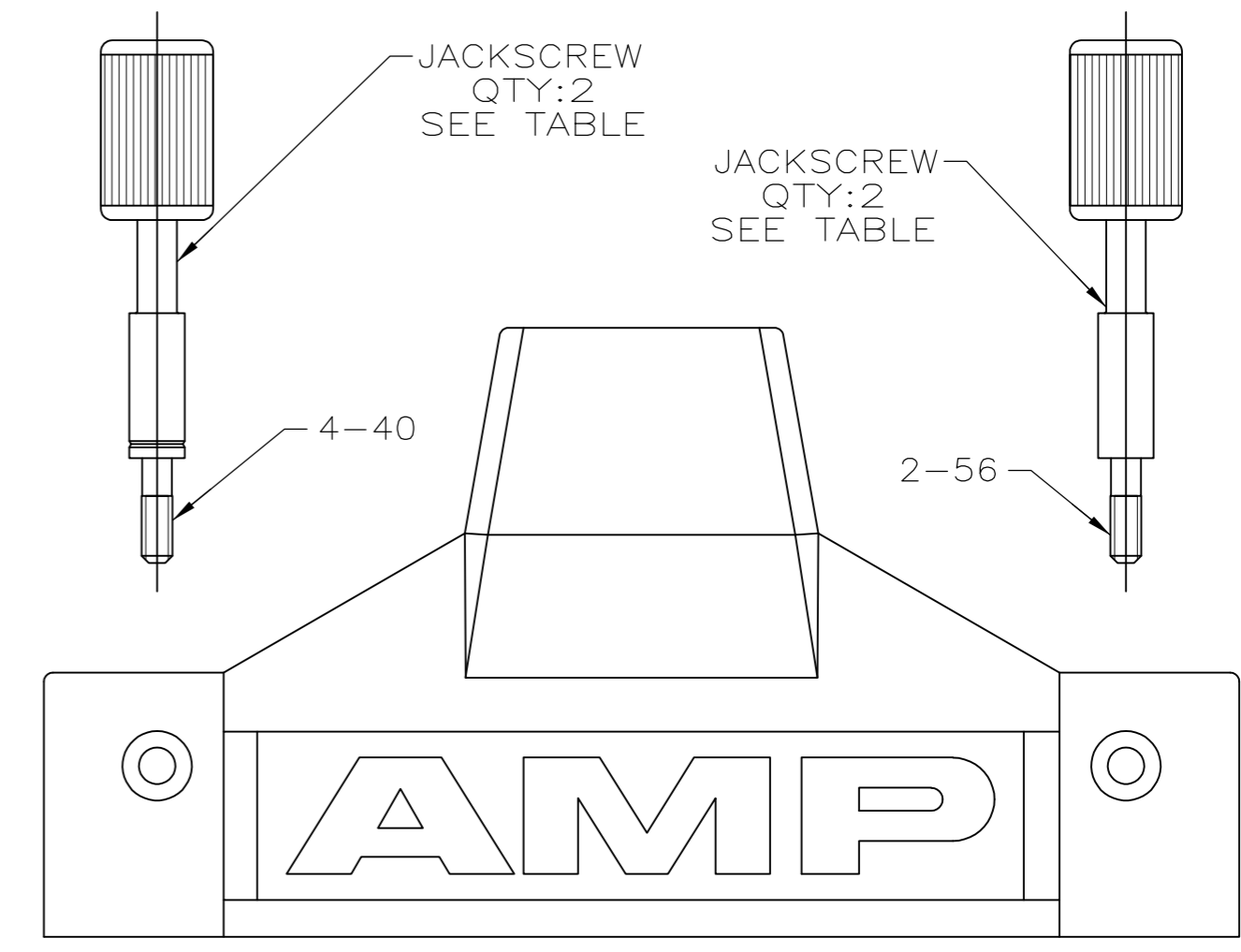


THIS DRAWING IS UNPUBLISHED. RELEASED FOR PUBLICATION
 © COPYRIGHT - By - ALL RIGHTS RESERVED.

LOC		DIST		REVISIONS			
P	LTR	DESCRIPTION		DATE	DWN	APVD	
GP	00	F		REVISED PER ECO-11-012218	14JUL2011	CJV	SLB



ASSEMBLED VIEW



- 1 12.70[.500] MAX CABLE DIA.
- 2 BACKSHELLS: ZINC PER ASTM AG40A, UNS Z33521.
- 3 BACKSHELLS: NICKEL PLATED.
- 4 STAPLE, JACKSCREW BODY: STEEL PER ASTM A109.
- 5 STAPLE: BRIGHT TIN-LEAD PLATED.
- 6 JACKSCREW HEAD: POLYPROPYLENE OR NYLON, UL94V-0 RATED, BLACK.
- 7 JACKSCREWS: BLACK ZINC PLATED.
- 8 STAPLE: BRIGHT TIN PLATED.
- 9 SCREWS: STAINLESS STEEL.

SUPERSEDED BY 5749081-1	2-56	8	749081-3
OBSOLETE	4-40	5	749081-2
	2-56	5	749081-1
	JACKSCREW THREAD	STAPLE FINISH	PART NO

THIS DRAWING IS A CONTROLLED DOCUMENT.		DWN	JACK ROOT	11-23-88	TE TE Connectivity			
DIMENSIONS: mm [INCHES]		CHK	M.WATERS	12-01-88				
TOLERANCES UNLESS OTHERWISE SPECIFIED:		APVD	-	-	INDIVIDUAL KIT, BACKSHELLS WITH MALE JACKSCREWS, 100 POSITION AMPLIMITE .050 SERIES			
0 PLC ± -		PRODUCT SPEC	-	-				
1 PLC ± -		APPLICATION SPEC	-	-	SIZE	CAGE CODE	DRAWING NO	RESTRICTED TO
2 PLC ± 0.38 [.015]		WEIGHT	-	-	A2	00779	C=749081	-
3 PLC ± -		CUSTOMER DRAWING		SCALE	2:1	SHEET	1 of 1	REV
4 PLC ± -								F
ANGLES ± -								
FINISH								
2 4 6 9								
3 5 7 8								