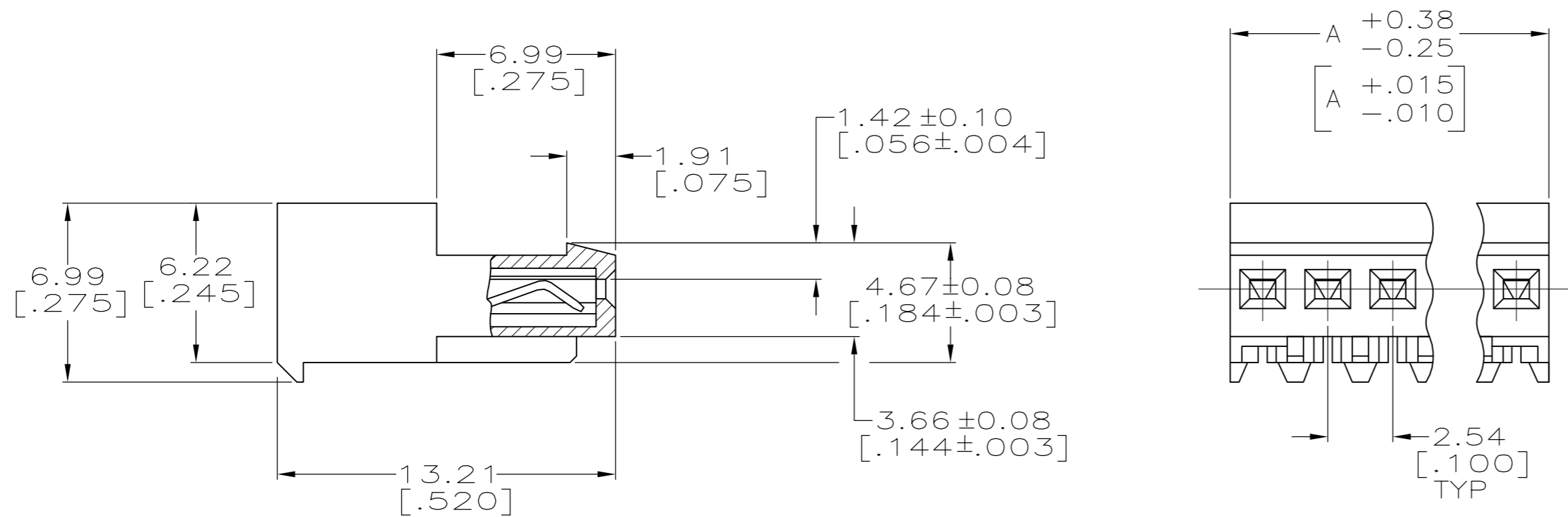
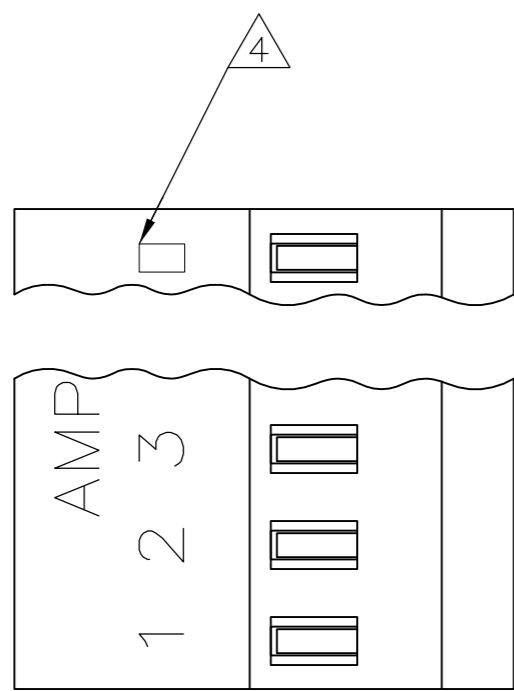


THIS DRAWING IS UNPUBLISHED. RELEASED FOR PUBLICATION  
 © COPYRIGHT BY TYCO ELECTRONICS CORPORATION. ALL RIGHTS RESERVED.

LOC	DIST	REVISIONS					
CM	00	P	LTR	DESCRIPTION	DATE	DWN	APVD
		H		REVISION PER ECO-07-003728	23FEB07	KW	DB
		H1		REVISED PER ECO-09-023313	10OCT09	KK	AEG



△ MATERIAL: CONNECTOR-NYLON UL94V-0 (BLACK).  
 CONTACTS-0.30 [.012] THICK COPPER ALLOY  
 BRIGHT TIN-LEAD 0.00203 [.000080] MIN THICK FOR CONTACTS  
 643828-2 THRU 1-643828-5  
 MATTE WHISKER MITIGATED TIN PLATE 0.00203 [.000080] MIN THICK  
 OVER 0.00076 [.000030] MIN THICK NICKEL FOR CONTACTS  
 3-643828-2 THRU 4-643828-5.

2. CONTACTS ACCEPT 26 AWG WIRE WITH 1.52 [.060] MAX INSULATION DIAMETER.

3. CONTACTS MUST ACCEPT 0.64±0.03 [.025±.001] SQUARE POST AND REMAIN LOCKED IN POSITION.

△ IDENTIFICATION NUMBER FOR LAST CIRCUIT MAY NOT APPEAR ON ALL ASSEMBLIES.

5. DIMENSIONS IN BRACKETS ARE IN INCHES.

6. HOUSING FEATURES ARE: CLOSED END WITH LOCKING RAMP.

△ OBSOLETE PARTS: OBSOLETE CIS STREAMLINING PER D.RENAUD/D.SINISI

LEAD FREE	DIM A	NO. OF POSN	ASSEMBLY
	38.10 [1.500]	15	4-643828-5
	35.56 [1.400]	14	4-643828-4
	33.02 [1.300]	13	4-643828-3
	30.48 [1.200]	12	4-643828-2
	27.94 [1.100]	11	4-643828-1
	25.40 [1.000]	10	4-643828-0
	22.86 [.900]	9	3-643828-9
	20.32 [.800]	8	3-643828-8
	17.78 [.700]	7	3-643828-7
	15.24 [.600]	6	3-643828-6
	12.70 [.500]	5	3-643828-5
	10.16 [.400]	4	3-643828-4
	7.62 [.300]	3	3-643828-3
	5.08 [.200]	2	3-643828-2

CONTAINS LEAD	DIM A	NO. OF POSN	ASSEMBLY
	38.10 [1.500]	15	1-643828-5
	35.56 [1.400]	14	1-643828-4
	33.02 [1.300]	13	1-643828-3
	30.48 [1.200]	12	1-643828-2
	27.94 [1.100]	11	1-643828-1
	25.40 [1.000]	10	1-643828-0
	22.86 [.900]	9	643828-9
	20.32 [.800]	8	643828-8
	17.78 [.700]	7	643828-7
	15.24 [.600]	6	643828-6
	12.70 [.500]	5	643828-5
	10.16 [.400]	4	643828-4
	7.62 [.300]	3	643828-3
	5.08 [.200]	2	643828-2

△ SUPERCEDED

△ SUPERCEDED

△ SUPERCEDED

△ SUPERCEDED

**METRIC**

THIS DRAWING IS A CONTROLLED DOCUMENT.		DWN S. HOOVER 03-DEC-2004	Tyco Electronics Corporation Harrisburg, Pa 17105-3608	
DIMENSIONS: mm [INCHES]		CHK D. BOSSI 03-DEC-2004	NAME MTA .100 CONNECTOR ASSEMBLY 26 AWG, UL94V-0, SPECIAL	
TOLERANCES UNLESS OTHERWISE SPECIFIED:		APVD D. BOSSI 03-DEC-2004	SIZE A2 CAGE CODE 00779 DRAWING NO C=643828	
0 PLC ±		PRODUCT SPEC 108-1050	RESTRICTED TO	
1 PLC ±		APPLICATION SPEC 114-1019	SCALE 5:1 SHEET 1 OF 1 REV H1	
2 PLC ±		WEIGHT		
3 PLC ±		CUSTOMER DRAWING		
4 PLC ±				
ANGLES ±				
FINISH △				