

PTS 525 Series Microminiature Tact Switch for SMT



Features/Benefits

- Ultra low profile, 0.8 & 1.5 mm actuator height
- Long life
- Compact package of 5.25 x 5.25 mm saves PCB space

Typical Applications

- Consumer products
- Instrumentation
- Computer products
- Hand-held devices
- Automotive diagnostic equipment

Specification

FUNCTION: Momentary action
CONTACT ARRANGEMENT: SPST, N.O.
TERMINALS: PC pins

Mechanical

ACTUATION FORCE: PTS525 models: 160 grams, 260 grams
LIFE EXPECTANCY: 100,000 operations.

Electrical

CONTACT RATING: 50 mA @ 12 V DC.
DIELECTRIC STRENGTH: 250 V AC min.
CONTACT RESISTANCE: 100 mΩ max. initial.
INSULATION RESISTANCE: 10¹¹ Ω min.

Environmental

OPERATING TEMPERATURE: -40°C to 60°C

Process

SMT capable of IR solder process. Do not clean switch with solvents.

Materials

BASE: 6/6 nylon or glass filled polyester (PBT) (UL 94V-0).
ACTUATOR: 6/6 nylon or polyacetal (UL 94HB).
DOME CONTACTS: Phosphor bronze, silver clad.
STATIONARY CONTACTS: Brass, silver plated.
TERMINALS: Brass, silver plated. Insert molded.

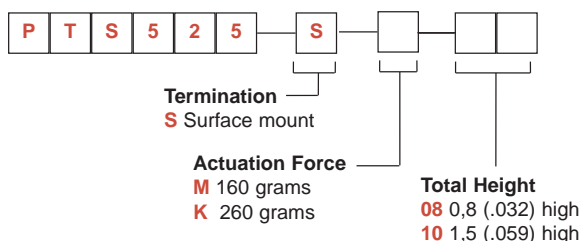
Packaging

1000 pieces per Tape and reel.

NOTE: Specifications listed above are for switches with standard options.
For information on specific and custom switches, consult Customer Service Center.

How To Order

Our easy build-a-switch concept allows you to mix and match options to create the switch you need. To order, select desired option from each category and place it in the appropriate box.



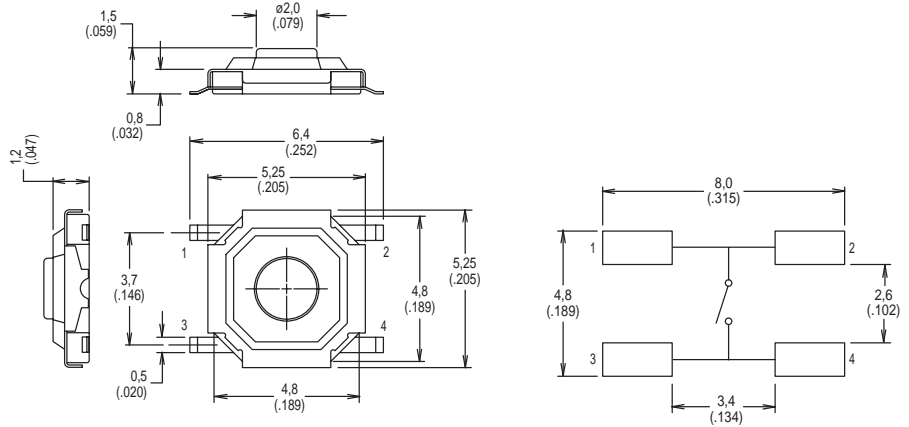
PTS 525 Series Microminiature Tact Switch for SMT

SERIES

PTS525



PTS525SM10



MOUNTING

S SURFACE MOUNT

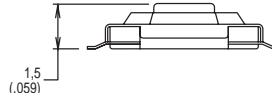
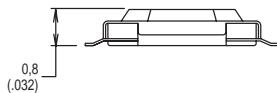
ACTUATION FORCE

OPTION CODE	ACTUATION FORCE
M	130 grams
K	260 grams

TOTAL HEIGHT

08 0,8 (.032)

10 1,5 (.059)

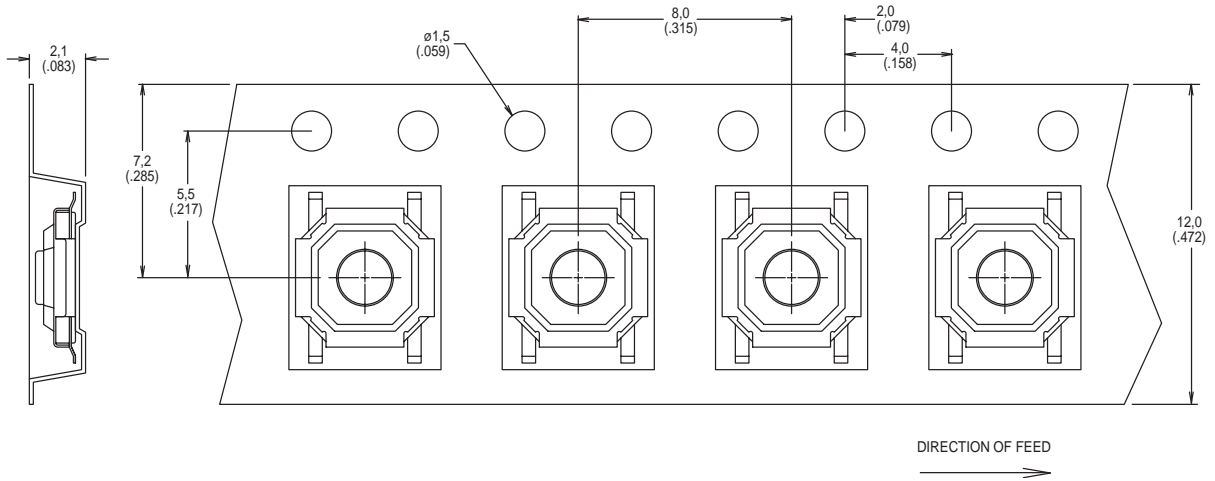


Tactile Switches

B

PTS 525 Series Microminiature Tact Switch for SMT

TAPE & REEL



B

Tactile Switches