


# IB IL AI 8/IS-PAC

Order No.: 2861661



<http://eshop.phoenixcontact.de/phoenix/treeViewClick.do?UID=2861661>

Inline analog input terminal, complete with accessories (connector and labeling field), 8 inputs, 0-20 mA, 4-20 mA, 0-40 mA,  $\pm 20$  mA,  $\pm 40$  mA, 2 and 3-wire connection method

Commercial data	
GTIN (EAN)	 4 017918 894504
sales group	K412
Pack	1 pcs.
Customs tariff	85389091
Catalog page information	Page 281 (AX-2009)

### Product notes

WEEE/RoHS-compliant since:  
07/03/2007



<http://www.download.phoenixcontact.com>  
Please note that the data given here has been taken from the online catalog. For comprehensive information and data, please refer to the user documentation. The General Terms and Conditions of Use apply to Internet downloads.

Technical data	
General data	
Width	48.8 mm
Height	136.8 mm
Depth	71.5 mm

Weight	125 g
Mounting type	DIN rail
Ambient temperature (operation)	-25 °C ... 55 °C
Ambient temperature (storage/transport)	-25 °C ... 85 °C
Permissible humidity (operation)	10 % ... 95 % (according to DIN EN 61131-2)
Permissible humidity (storage/transport)	10 % ... 95 % (according to DIN EN 61131-2)
Air pressure (operation)	70 kPa ... 106 kPa (up to 3000 m above sea level)
Air pressure (storage/transport)	70 kPa ... 106 kPa (up to 3000 m above sea level)
Degree of protection	IP20
Protection class	III, IEC 61140, EN 61140, VDE 0140-1
Test section	5 V supply, incoming remote bus/7.5 V supply (bus logics) 500 V AC 50 Hz 1 min
	5 V supply, outgoing remote bus/7.5 V supply (bus logics) 500 V AC 50 Hz 1 min
	7.5 V supply (bus logic), 24 V supply $U_{ANA}$ / I/O 500 V AC 50 Hz 1 min
	7.5 V supply (bus logic), 24 V supply $U_{ANA}$ /functional earth ground 500 V AC 50 Hz 1 min
	I/O / functional earth ground 500 V AC 50 Hz 1 min

#### Interface

Name	Inline local bus
Type of connection	Inline data jumper
Transmission speed	500 kbps
	500 kBit/s
Transmission physics	Copper

#### Inline potential routing

Communications power $U_L$	7.5 V DC (via voltage jumper)
Current consumption from $U_L$	max. 65 mA
	Typ. 52 mA
Current consumption from $U_M$	max. 200 mA
I/O supply voltage $U_{ANA}$	24 V DC
Current consumption from $U_{ANA}$	max. 40 mA
	Typ. 31 mA

#### Analog inputs

Number of inputs	max. 8 (single ended)
------------------	-----------------------

Connection method	2-wire (shielded)
Input name	Analog inputs
A/D conversion time	Approx. 10 µs
Limit frequency (3 dB)	3.5 kHz
Data formats	IBS IL, IBS ST, IBS RT, standardized representation, PIO format
Measuring principle	Successive approximation
Measured value resolution	16 bits (15 bits + sign)
Measured value representation	16-bit two's complement
Current input signal	0 mA ... 20 mA 4 mA ... 20 mA -20 mA ... 20 mA 0 mA ... 40 mA -40 mA ... 40 mA
Number of inputs	8 (differential inputs, current)
Current input signal	0 mA ... 20 mA 4 mA ... 20 mA -20 mA ... 20 mA 0 mA ... 40 mA -40 mA ... 40 mA
Input resistance current input	25 Ω 0.01 %

### Certificates / Approvals



Certification ABS, CUL, DNV, GL, GOST, UL

Certifications applied for: LR / BV

### Accessories

Item	Designation	Description
<b>Marking</b>		
0809502	ESL 62X46	Insert strip for laser printer, lettering field: 62 x 46 mm
0809502	ESL 62X46	Insert strip for laser printer, lettering field: 62 x 46 mm

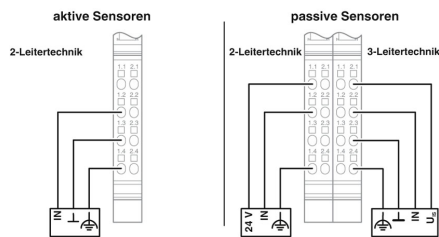
2727501	IB IL FIELD 2	Labeling field, width: 12.2 mm
2727515	IB IL FIELD 8	Labeling field, width: 48.8 mm

**Plug/Adapter**

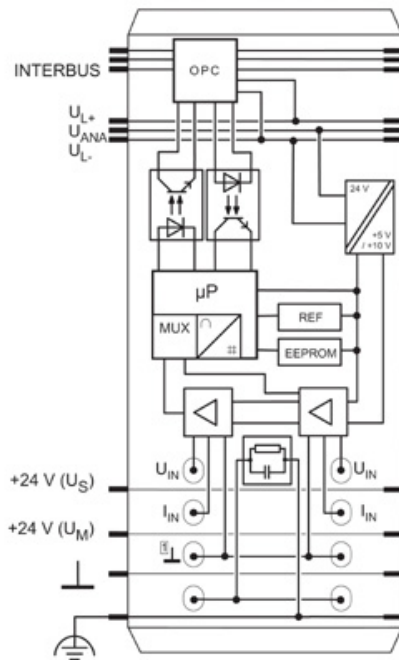
2740245	IB IL SCN 6-SHIELD-TWIN	Inline shield connector
---------	-------------------------	-------------------------

**Diagrams/Drawings**

Connection diagram

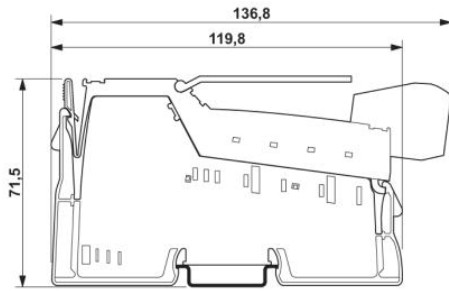


Block diagram



Dimensioned drawing

---



**Address**

PHOENIX CONTACT Deutschland GmbH  
Flachmarktstr. 8  
32825 Blomberg, Germany  
Phone +49 5235 3 12000  
Fax +49 5235 3 41200  
<http://www.phoenixcontact.de>



© 2011 Phoenix Contact  
Technical modifications reserved;