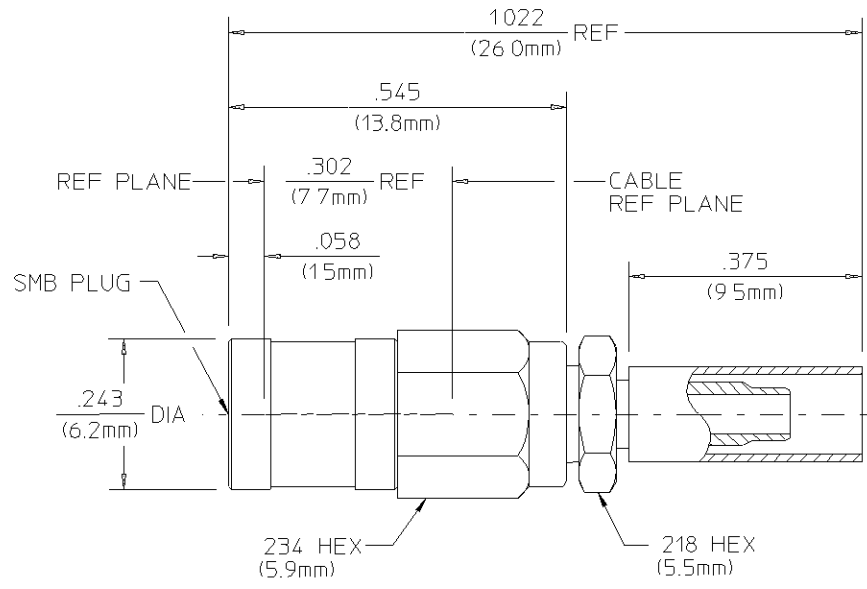


| REVISIONS | | | |
|-----------------|---------------------------------|-----------------|-------------------------------|
| REV | DESCRIPTION | DATE | APPROVED |
| 01 ₀ | REDRAWN AND RELEASED | PMD 2-5-88 | LROSS 2-11-88 |
| 02 ₀ | MAJOR CHANGES PER ECN 90-0204-1 | M.C. 9-11-89 | <i>[Signature]</i> 1/15/90 |



| COMPONENT | MATERIAL | FINISH |
|--|--|-------------------------------|
| HOUSING COUPLING NUT CLAMP NUT SLEEVE | BRASS PER ASTM-B-16, HALF HARD | GOLD PLATE PER MIL-G-45204 |
| DIELECTRIC | PTFE FLUOROCARBON PER ASTM-D-1457 | N/A |
| CENTER CONTACT | BERYLLIUM COPPER PER ASTM-B-196 OR ASTM-B-197, ALLOY C17300, CONDITION H | GOLD PLATE PER MIL-G-45204 |
| RETAINING RING | BERYLLIUM COPPER PER ASTM-B-194, ALLOY C17200, CONDITION H | N/A |
| FERRULE | COPPER OR BRASS ALLOY ROCKWELL F65 MAXIMUM | GOLD PLATE PER MIL-G-45204 |

.XXX = in
XX.X = mm (REF)

- NOTES:
- DESIGNED FOR USE WITH RG174/U, RG188/U AND RG316/U CABLE.
 - CAPTURED CENTER CONTACT

| CABLE ENTRY DIAMETER MINIMUM | |
|------------------------------|------|
| FERRULE | .125 |
| SLEEVE | .062 |
| CONTACT | .024 |
| | |
| | |
| | |

UNLESS OTHERWISE SPECIFIED DIMENSIONS ARE IN INCHES
TOLERANCE ON
FRAC. DEC. ANGLES
± 1/64 ± .005 ± 1°
These drawings and specifications are the property of AMP Incorporated and shall not be reproduced or copied or used in whole or in part as the basis for the manufacture or sale of item(s) without written permission

| | |
|-------------------------|-----------------|
| DRAWN BY PJP | DATE 3-11-68 |
| CHECKED BY G STEVENS | 5-6-88 |
| APPROVED BY BAR | 5-15-88 |
| USE ASSY PROCEDURE | |
| 408-04727 | |
| NO. A.P. (51-036) | |

AMP Incorporated
140 Fourth Avenue
Walham, MA 02451-7599

AMP

TITLE
SMB STRAIGHT CABLE
PLUG CRIMP ATTACHMENT

| | | | |
|-----------|------------------------|--------------|------------------------|
| SIZE B | CODE IDENT NO 26805 | 5131-5007-09 | REV 02 ₀ |
|-----------|------------------------|--------------|------------------------|

SCALE 5:1 SHEET 1 OF 1