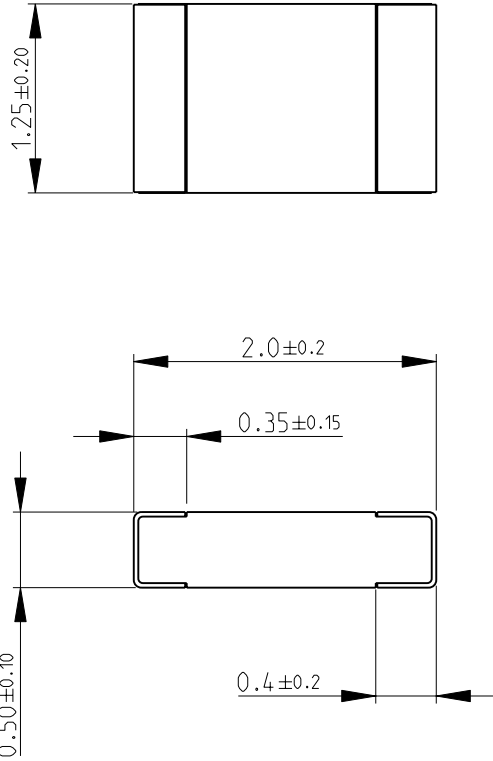
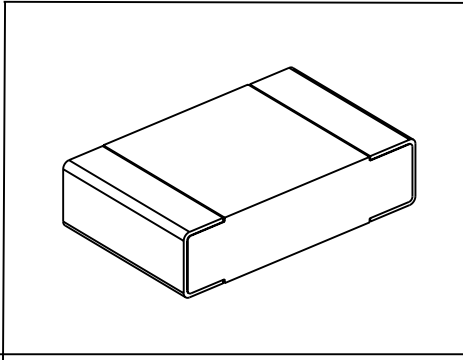


LOC	DIST	REVISIONS					
E	B	P	LTR	DESCRIPTION	DATE	DWN	APVD
			BA	NEW RELEASE	06-OCT-09	MRS	St.P

FOR FURTHER INFORMATION SEE DATA SHEET FOR  
LT73 SERIES- TEMPERATURE SENSING CHIP RESISTOR(P.T.C THERMISTOR)



RoHS Compliant



2009  
RELEASED FOR PUBLICATION  
THIS DRAWING IS UNPUBLISHED.  
COPYRIGHT 2009 BY TYCO ELECTRONICS CORPORATION. ALL RIGHTS RESERVED.

DIMENSIONS: mm	DWN	06-OCT-09	MATERIAL	FINISH		
	MAHARUDRA		-	-		
TOLERANCES UNLESS OTHERWISE SPECIFIED:	CHK	06-OCT-09	Tyco Electronics Corporation Dorcan, Swindon, SN3 5HH			
	ALLAN.P					
0 PLC ±0.2	APVD	06-OCT-09	NAME TEMPERATURE SENSING CHIP RESISTOR (P.T.C THERMISTOR) SERIES LT73			
1 PLC ±0.1	STEPHEN.P					
2 PLC ±-	PRODUCT SPEC		SIZE	CAGE CODE	DRAWING NO	RESTRICTED TO
3 PLC ±-			A 4	00779	©- 1624340	-
4 PLC ±-	APPLICATION SPEC		CUSTOMER DRAWING SCALE 20:1 SHEET 1 OF 1 REV BA			
ANGLES ±5°						
	WEIGHT	-				