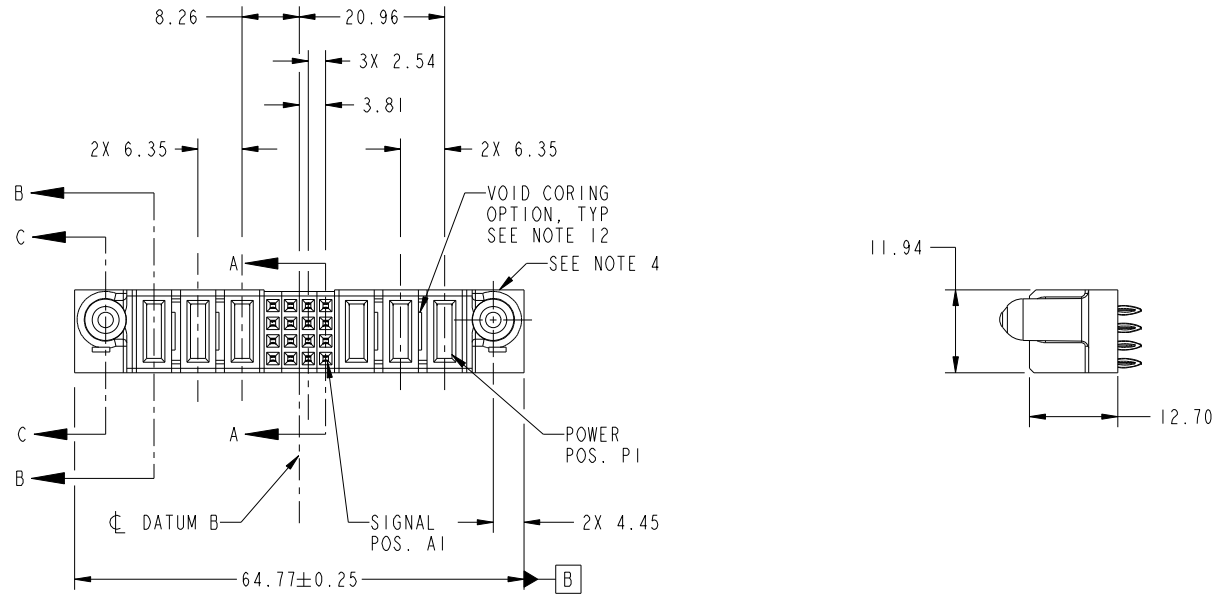


Tous droits strictement reserves. Reproduction ou communication a des tiers interdite sous quelque forme que ce soit sans autorisation écrite du propriétaire. Propriete de c FCI. Droits de reproduction FCI.

All rights strictly reserved. Reproduction or issue to third parties in any form whatever is not permitted without written authority from the proprietor. Property of FCI. Copyright FCI.



PRODUCT NO.	ROWS	POWER			SIGNAL			POWER					
		E2	P6	P5	P4	4	3	2	1	P3	P2	P1	E1
51750-105_.. NOTE: 3	D C B A		PC	PC	PC	F	F	F	F	PF	PF	PF	



CODE	DIM "M" MATING LENGTH	CONTACT TYPE
PC	[1.07]	POWER
PF	[2.34]	POWER
F	[N/A]	SIGNAL

mat'l code				SEE NOTES		tolerances unless otherwise specified		CUSTOMER	
ltr	ecn no.	dr	date	linear	0.X ±0.5	projection	FCI www.fciconnect.com		
A	DG10-0301	AL	08/20/10	angles	0.XX ±0.25		title 3P + 16S + 3P VERTICAL PF RECEPT		
				dr	0.XXX ±0.1		product family	PwrBlade	code
				enr	0° ±2°	scale	size	dwg no	213
				chr	Anson Liu 08/20/10	1:1	A	51750-105	sheet
				appd	Jerome Chen 08/20/10				1 of 4
					PM ZHENG 08/20/10				
					Joseph Hsia 08/20/10				
sheet index	revision sheet	A	A	A	A				
		1	2	3	4				

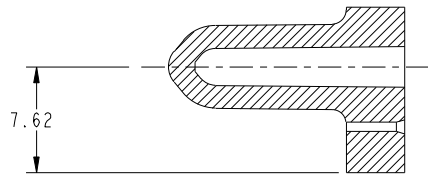
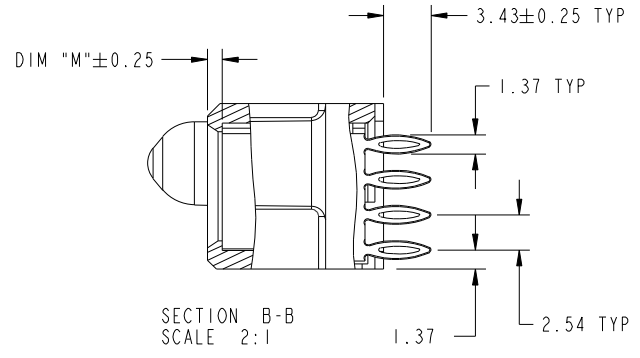
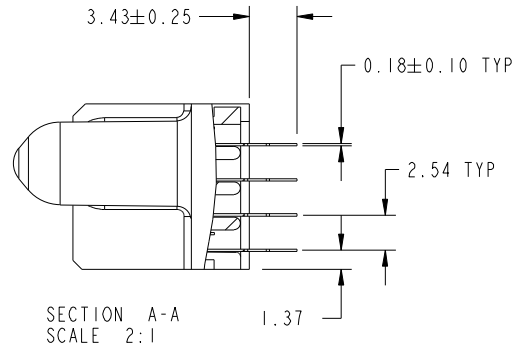
cage code 22526

Tous droits strictement reserves. Reproduction ou communication a des tiers interdite sous quelque forme que ce soit sans autorisation écrite du propriétaire. Propriete de c FCI. Droits de reproduction FCI.

All rights strictly reserved. Reproduction or issue to third parties in any form whatever is not permitted without written authority from the proprietor. Property of FCI. Copyright FCI.



PRODUCT NUMBER  
51750-105\_  
NOTE: 3



SECTION C-C  
SCALE 2:1

mat'l code				tolerances unless otherwise specified		CUSTOMER		FCI	
ltr	ecr no.	dr	date	linear	0.X ± 0.5	COPY		www.fciconnect.com	
A					0.XX ± 0.25	projection		title	
				angles	0.XXX ± 0.1			3P + 16S + 3P VERTICAL PF RECEPT	
					0° ± 2°			product family PwrBlade code	
				dr	Anson Liu 08/20/10	scale		size	
				enr	Jerome Chen 08/20/10	1:1		dwg no	
				chr	PM ZHENG 08/20/10			A 51750-105	
				appd	Joseph Hsia 08/20/10			sheet	
sheet index		revision sheet						2 of 4	
								2 of 4	

cage code 22526

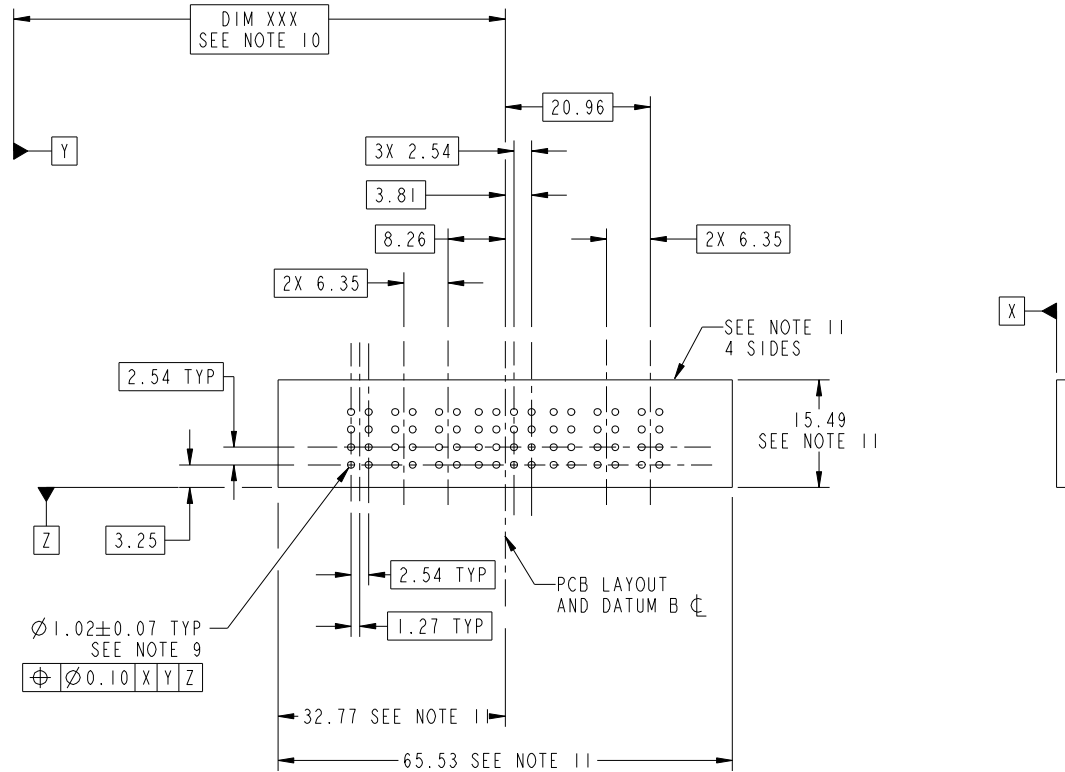
Pro/E

Tous droits strictement reserves. Reproduction ou communication a des tiers interdite sous quelque forme que ce soit sans autorisation écrite du propriétaire. Propriete de c FCI. Droits de reproduction FCI.



All rights strictly reserved. Reproduction or issue to third parties in any form whatever is not permitted without written authority from the proprietor. Property of FCI. Copyright FCI.

PRODUCT NUMBER  
51750-105\_  
NOTE: 3



RECOMMENDED PCB LAYOUT

mat'l code				tolerances unless otherwise specified		CUSTOMER		FCI	
ltr	ecn no.	dr	date	linear	0.X ± 0.5	COPY		www.fciconnect.com	
A					0.XX ± 0.25	projection		title	
				angles	0.XXX ± 0.1			3P + 16S + 3P VERTICAL PF RECEPT	
				dr	0° ± 2°			product family PwrBlade code	
				enr	Anson Liu 08/20/10	scale		size	
				chr	Jerome Chen 08/20/10	1:1		dwg no	
				appd	PM ZHENG 08/20/10			51750-105	
					Joseph Hsia 08/20/10			sheet	
sheet index	revision sheet							3 of 4	

cage code 22526

Pro/E

Tous droits strictement reserves. Reproduction ou communication a des tiers interdite sous quelque forme que ce soit sans autorisation écrite du propriétaire. Propriete de c FCI. Droits de reproduction FCI.



All rights strictly reserved. Reproduction or issue to third parties in any form whatever is not permitted without written authority from the proprietor. Property of FCI. Copyright FCI.

PRODUCT NUMBER  
51750-105\_  
NOTE: 3

NOTES:

1. DIMENSIONS AND TOLERANCES ARE IN ACCORDANCE WITH ASME Y14.5M, 1994 UNLESS OTHERWISE SPECIFIED.

CONNECTOR NOTES:

- 2 HOUSING MATERIAL: UL 94 V-0 GLASS FILLED HIGH-TEMP THERMOPLASTIC  
POWER CONTACT MATERIAL: COPPER ALLOY  
SIGNAL PIN MATERIAL: COPPER ALLOY
  - 3. SEE ITEM 7 & 8 IN PRINT 10064183 FOR PLATING SPEC OF 51750-105 AND 51750-105LF RESPECTIVELY.
  - 4 MANUFACTURER'S NAME, DATE CODE AND OPTIONAL P/N TO APPEAR ON THIS SURFACE. THE P/N CAN BE OMITTED IF THERE IS NOT ENOUGH SPACE ON THIS SURFACE.
  - 5. PRODUCT SPECIFICATION GS-12-149.  
APPLICATION SPECIFICATION BUS-20-067.
  - 6. PACKAGED IN TRAYS.
- PCB NOTES:
- 7. ALL HOLE DIAMETERS ARE FINISHED HOLE SIZE.
  - 8 MOUNTING HOLES, WHERE APPLICABLE, ARE UNPLATED.
  - 9  $\varnothing 1.151 \pm 0.025$  DRILLED HOLES PLATED WITH  
0.008 MIN SnPb OR Sn OVER 0.03  
TO 0.08 Cu PLATING TO ACHIEVE  
 $\varnothing 1.02 \pm 0.07$  HOLE.
  - 10 "DIM XXX" TO BE DETERMINED BY THE CUSTOMER.
  - 11 CONNECTOR KEEP-OUT ZONE.
  - 12. THE VOID CORING IN BETWEEN POWER MODULES, SIGNAL MODULES AND END MODULES ARE OPTIONAL AND THE SHAPE MAY BE DIFFERENT FOR OPTIMIZE THE MOLDING PROCESS. THE VOID CORING WILL NOT EFFECT TO PRODUCT FUNCTION.

mat'l code				tolerances unless otherwise specified		CUSTOMER		FCI	
ltr	ecn no.	dr	date	linear	0.X ± 0.5	COPY		www.fciconnect.com	
A					0.XX ± 0.25	projection		title	
				angles	0.XXX ± 0.1			3P + 16S + 3P VERTICAL PF RECEPT	
				dr	0° ± 2°	MIM		product family PwrBlade code	
				enr	Anson Liu 08/20/10	← MIM →		size 213	
				chr	Jerome Chen 08/20/10	scale		dwg no 4 of 4	
				appd	PM ZHENG 08/20/10	1:1		sheet	
					Joseph Hsia 08/20/10	A		51750-105	
sheet index	revision sheet								

cage code 22526